



# Technical Data

## Submersible Pump - ST 07-27

Revision no.

Page:

1

Receiver

From

 Company name  
 Respons. Department  
 Person in charge  
 Phone number  
 Fax no  
 E-mail address



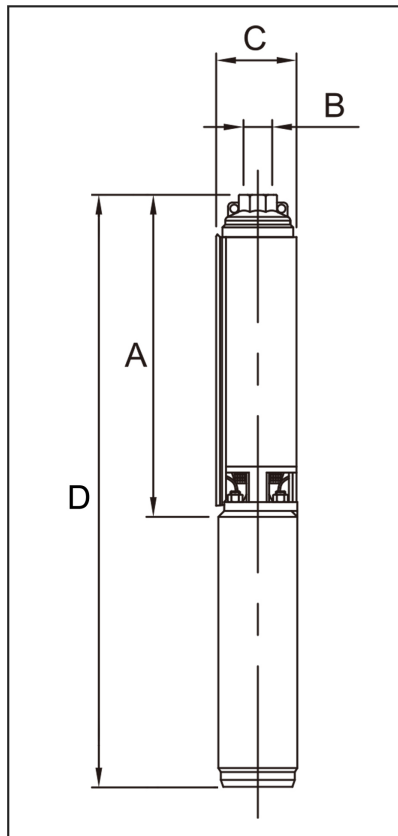


**Brand: Gol Pumps**  
**Model: ST 07-27**

Weight (lb)		
Pump	Motor	Pump + Motor
14.5	31.9	46.4

Cable	
Length (Ft)	AWG
3.9	14

### Dimensions:



Outlet	Motor Dia.	Dimensions (inch)			
		A	B	C	D
NPT 1 1/4"	4"	21.5"	1 1/4"	3.9"	36.8"

Project

Project ID

Created by

Created on

Last update



# Performance Curves

## Submersible Pump - SP 07-27

Revision no.

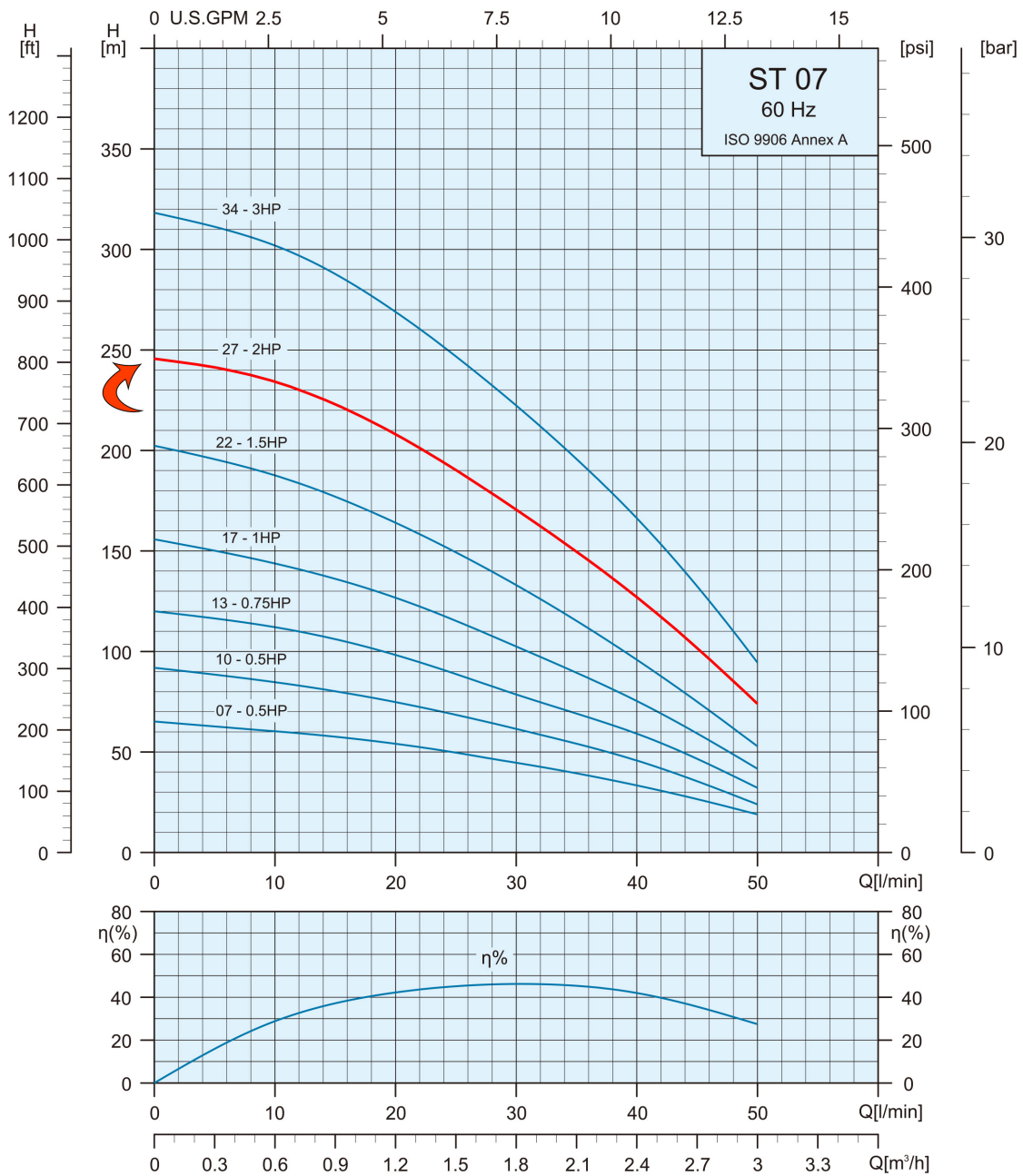
Page:  
2

Receiver

From

Company name  
Respons. Department  
Person in charge  
Phone number  
Fax no  
E-mail address

Pump Model	Motor		Q Capacity 3500RPM								
			Gal/Min	0	4	5.3	6.6	7.9	9.2	10.6	13.2
ST 7-27	1.5	2	Head in Feet	807.1	731.6	682.4	623.4	561	492.1	416.7	242.8
			Head in Meters	242.8	222.1	207.8	190.1	171.3	148.1	120.1	78.1



Project

Project ID

Created by

Created on

Last update



# Part List and Materials

## Submersible Pump - SP 07-27

Revision no.

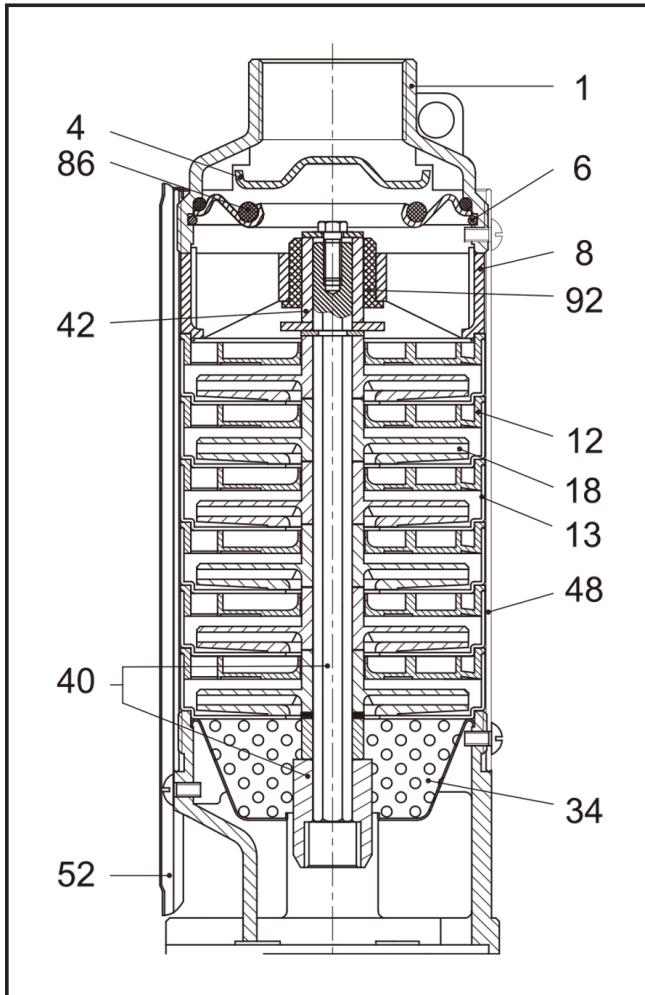
Page:  
3

Receiver

From

Company name  
Respons. Department  
Person in charge  
Phone number  
Fax no  
E-mail address

Motor Model	P2		S.F	Voltage	Phase	Wire	In	Imax	Istart	PF (%)		Efficiency (%)		RPM	Thrust
	kW	HP		V	PH		A	A	A	Allowable Load	Overload Factor	Allowable Load	Overload Factor		N
	4CF3546D	1.5		2	1.25		230	Single	3	11.4	13.5	52.6	0.86		0.89



No.	Part Name	Materials
1	Discharge Head	AISI 304
4	Check Valve Cone	AISI 304
6	Check Valve Retaining Ring	AISI 304
8	Bearing Spider	Glass Filled Polycarbonate
12	Diffuser	Glass Filled Polycarbonate
13	Bowl	AISI 304
18	Impeller	Noryl
34	Strainer	AISI 304
40	Pump Shaft / Coupling	AISI 304
42	Shaft Sleeve	AISI 304 or Norly
48	Pump Casing	AISI 304
52	Cable Guard	AISI 304
86	O-Ring	NBR
92	Bearing	Polyacetal

Project

Project ID

Created by

Created on

Last update