



# Technical Data

## Submersible Pump - ST 07-34

Revision no.

Page:  
1

Receiver

From

Company name  
Respons. Department  
Person in charge  
Phone number  
Fax no  
E-mail address





**Brand: Gol Pumps**  
**Model: ST 07-34**

Weight (lb)		
Pump	Motor	Pump + Motor
20.5	39.6	60.1

Cable	
Length (Ft)	AWG
8.2	14

**Dimensions:**



Outlet	Motor Dia.	Dimensions (inch)			
		A	B	C	D
NPT 1 1/4"	4"	33.8"	1 1/4"	3.9"	52.4"

Project

Project ID

Created by

Created on

Last update



# Performance Curves

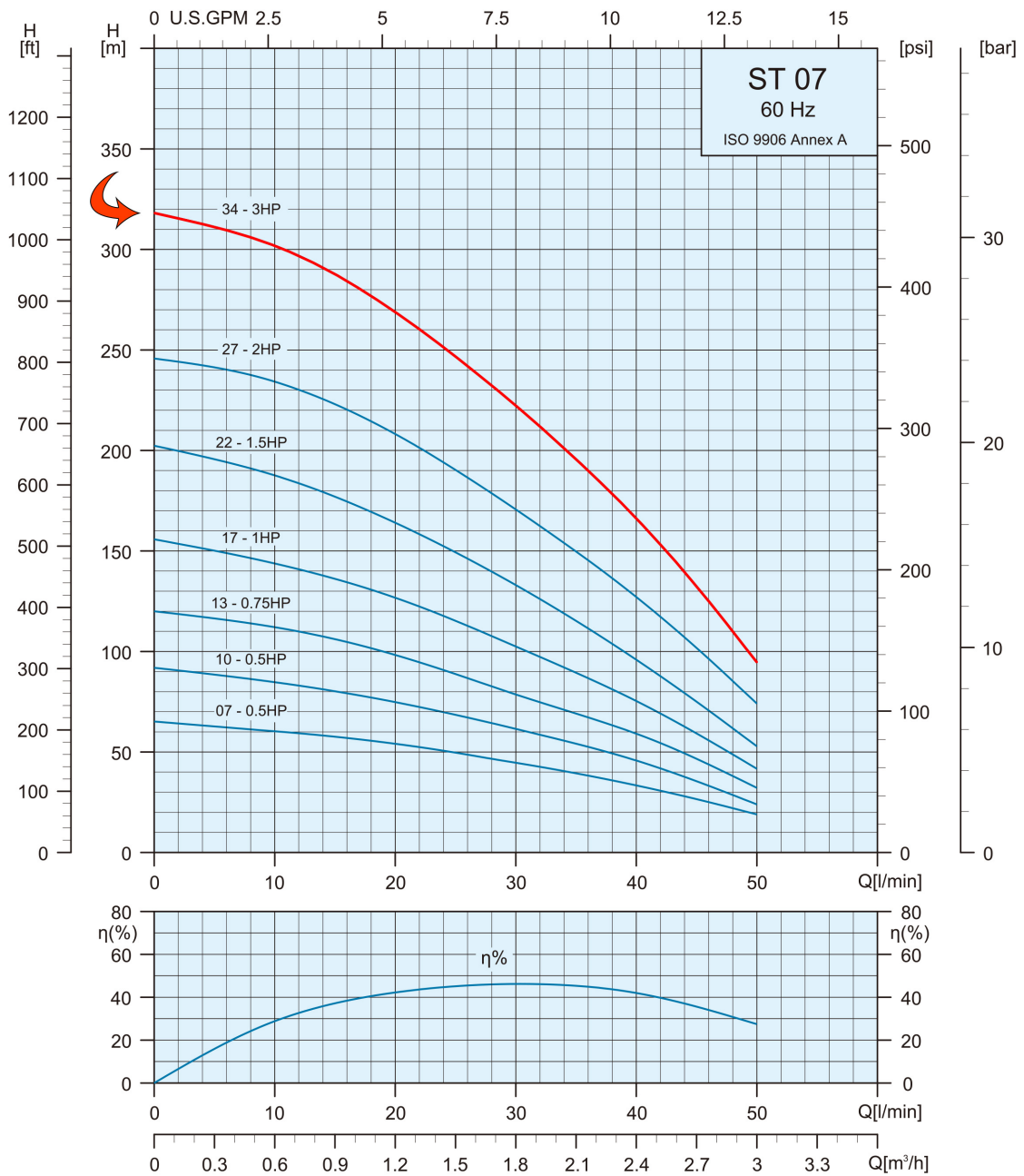
## Submersible Pump - SP 07-34

Revision no. \_\_\_\_\_  
 Page: 2

Receiver	From

Company name \_\_\_\_\_  
 Respons. Department \_\_\_\_\_  
 Person in charge \_\_\_\_\_  
 Phone number \_\_\_\_\_  
 Fax no \_\_\_\_\_  
 E-mail address \_\_\_\_\_

Pump Model	Motor		Q Capacity 3500RPM								
			Gal/Min	0	4	5.3	6.6	7.9	9.2	10.6	13.2
	kW	HP	Head in Feet	1043	944.9	882.5	810.4	731.6	643	547.9	311.7
<b>ST 7-34</b>	2.2	3									



Project	Project ID	Created by	Created on	Last update
---------	------------	------------	------------	-------------



## Part List and Materials Submersible Pump - SP 07-34

Revision no.

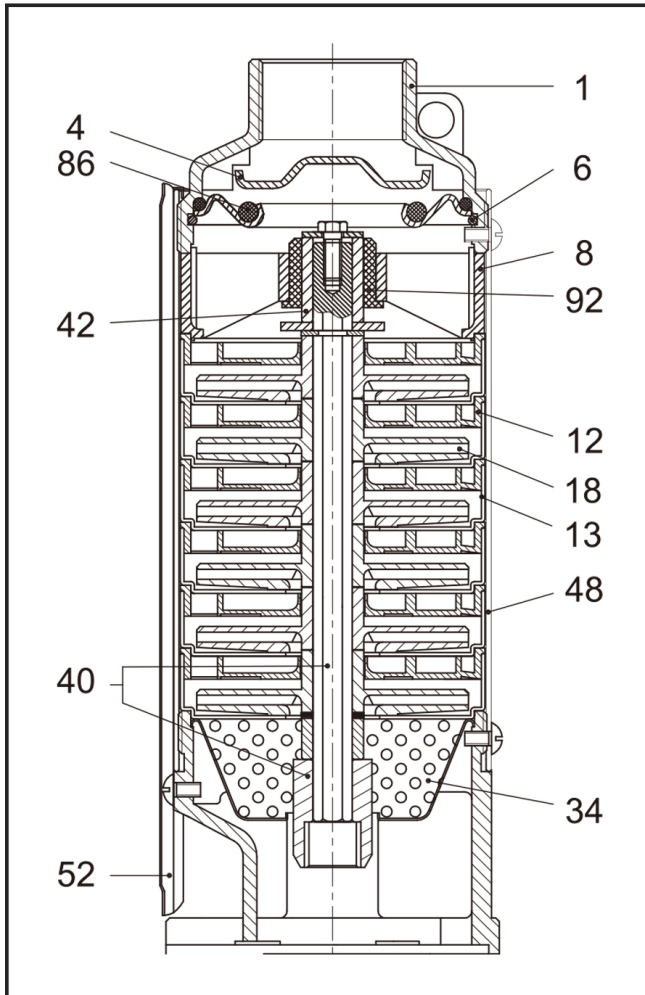
 Page:  
3

Receiver

From

 Company name  
 Respons. Department  
 Person in charge  
 Phone number  
 Fax no  
 E-mail address

Motor Model	P2		S.F	Voltage	Phase	Wire	In	Imax	Istart	PF (%)		Efficiency (%)		RPM	Thrust
	kW	HP		V	PH		A	A	A	Allowable Load	Overload Factor	Allowable Load	Overload Factor		N
	4CF4556D	2.2		3	1.15		230	Single	3	13.9	15.8	74	0.97		0.97



No.	Part Name	Materials
1	Discharge Head	AISI 304
4	Check Valve Cone	AISI 304
6	Check Valve Retaining Ring	AISI 304
8	Bearing Spider	Glass Filled Polycarbonate
12	Diffuser	Glass Filled Polycarbonate
13	Bowl	AISI 304
18	Impeller	Noryl
34	Strainer	AISI 304
40	Pump Shaft / Coupling	AISI 304
42	Shaft Sleeve	AISI 304 or Norly
48	Pump Casing	AISI 304
52	Cable Guard	AISI 304
86	O-Ring	NBR
92	Bearing	Polyacetal

Project

Project ID

Created by

Created on

Last update