



Technical Data

Submersible Pump - ST 07-34

Revision no.

Page:
1

Receiver

From

Company name
Respons. Department
Person in charge
Phone number
Fax no
E-mail address

| |
|--|
| |
| |
| |
| |
| |

| |
|--|
| |
| |
| |
| |
| |



Brand: Gol Pumps
Model: ST 07-34

| Weight (lb) | | |
|-------------|-------|--------------|
| Pump | Motor | Pump + Motor |
| 20.5 | 33.2 | 53.7 |

| Cable | |
|-------------|-----|
| Length (Ft) | AWG |
| 8.2 | 14 |

Dimensions:



| Outlet | Motor Dia. | Dimensions (inch) | | | |
|------------|------------|-------------------|--------|------|-------|
| | | A | B | C | D |
| NPT 1 1/4" | 4" | 33.8" | 1 1/4" | 3.9" | 49.4" |

Project

Project ID

Created by

Created on

Last update



Performance Curves

Submersible Pump - SP 07-34

Revision no.

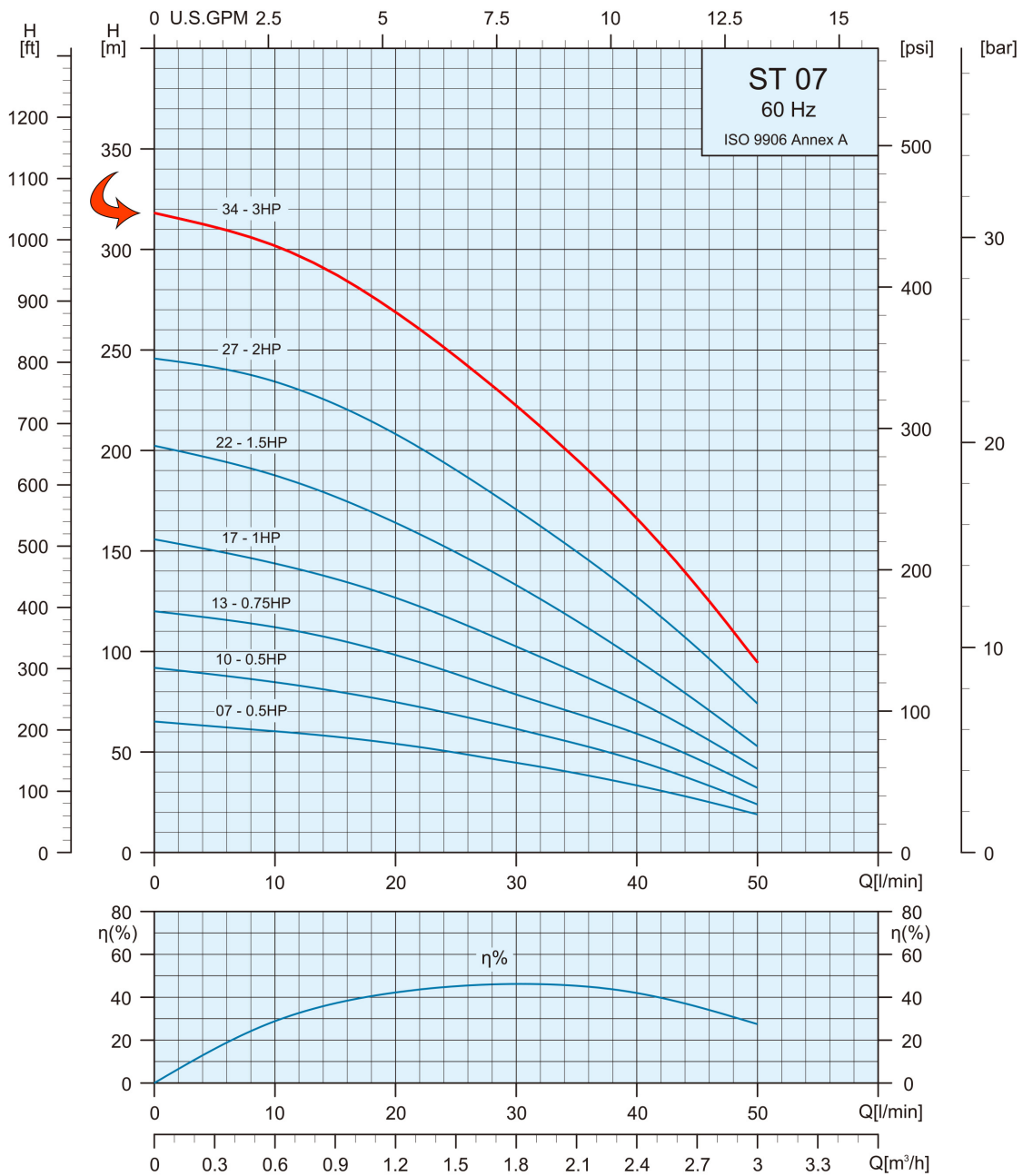
Page:
2

Receiver

From

Company name
Respons. Department
Person in charge
Phone number
Fax no
E-mail address

| Pump Model | Motor | | Q Capacity 3500RPM | | | | | | | | |
|------------|-------|----|--------------------|------|-------|-------|-------|-------|-----|-------|-------|
| | kW | HP | Gal/Min | 0 | 4 | 5.3 | 6.6 | 7.9 | 9.2 | 10.6 | 13.2 |
| ST 7-34 | 2.2 | 3 | Head in Feet | 1043 | 944.9 | 882.5 | 810.4 | 731.6 | 643 | 547.9 | 311.7 |



Project

Project ID

Created by

Created on

Last update



Part List and Materials

Submersible Pump - SP 07-34

Revision no.

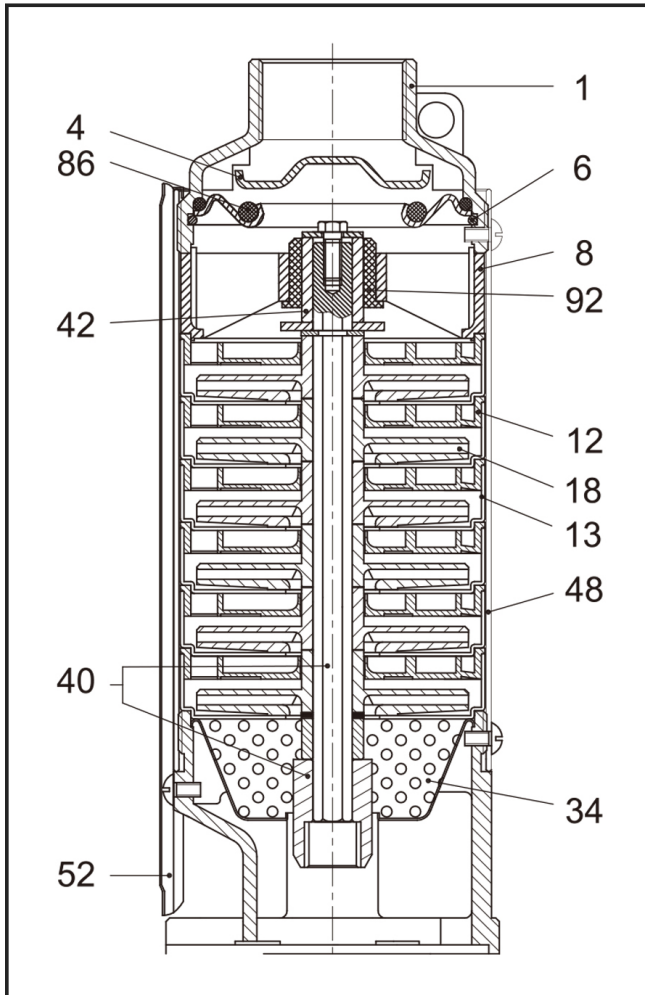
Page:
3

Receiver

From

Company name
Respons. Department
Person in charge
Phone number
Fax no
E-mail address

| Motor Model | P2 | | S.F | Voltage | Phase | In | Imax | Istart | PF (%) | | Efficiency (%) | | RPM | Thrust |
|-------------|---------|-----|-----|---------|-------|-----|-------|--------|----------------|-----------------|----------------|-----------------|-----|--------|
| | kW | HP | | V | PH | A | A | A | Allowable Load | Overload Factor | Allowable Load | Overload Factor | | N |
| | 4CF4956 | 2.2 | | 3 | 1.15 | 230 | Three | 9.8 | 10.6 | 56 | 0.73 | 0.77 | | 77.1 |



| No. | Part Name | Materials |
|-----|----------------------------|----------------------------|
| 1 | Discharge Head | AISI 304 |
| 4 | Check Valve Cone | AISI 304 |
| 6 | Check Valve Retaining Ring | AISI 304 |
| 8 | Bearing Spider | Glass Filled Polycarbonate |
| 12 | Diffuser | Glass Filled Polycarbonate |
| 13 | Bowl | AISI 304 |
| 18 | Impeller | Noryl |
| 34 | Strainer | AISI 304 |
| 40 | Pump Shaft / Coupling | AISI 304 |
| 42 | Shaft Sleeve | AISI 304 or Norly |
| 48 | Pump Casing | AISI 304 |
| 52 | Cable Guard | AISI 304 |
| 86 | O-Ring | NBR |
| 92 | Bearing | Polyacetal |

Project

Project ID

Created by

Created on

Last update