



Technical Data

Submersible Pump - ST 13-28

Revision no.

Page:
1

Receiver

From

Company name
Respons. Department
Person in charge
Phone number
Fax no
E-mail address



Brand: Gol Pumps
Model: ST 13-28

Weight (lb)		
Pump	Motor	Pump + Motor
13.2	63.4	76.6

Cable	
Length (Ft)	AWG
8.2	14

Dimensions:



Outlet	Motor Dia.	Dimensions (inch)			
		A	B	C	D
NPT 1 1/4"	4"	26.7"	1 1/4"	3.9"	54.4"

Project

Project ID

Created by

Created on

Last update



Performance Curves

Submersible Pump - SP 13-28

Revision no.

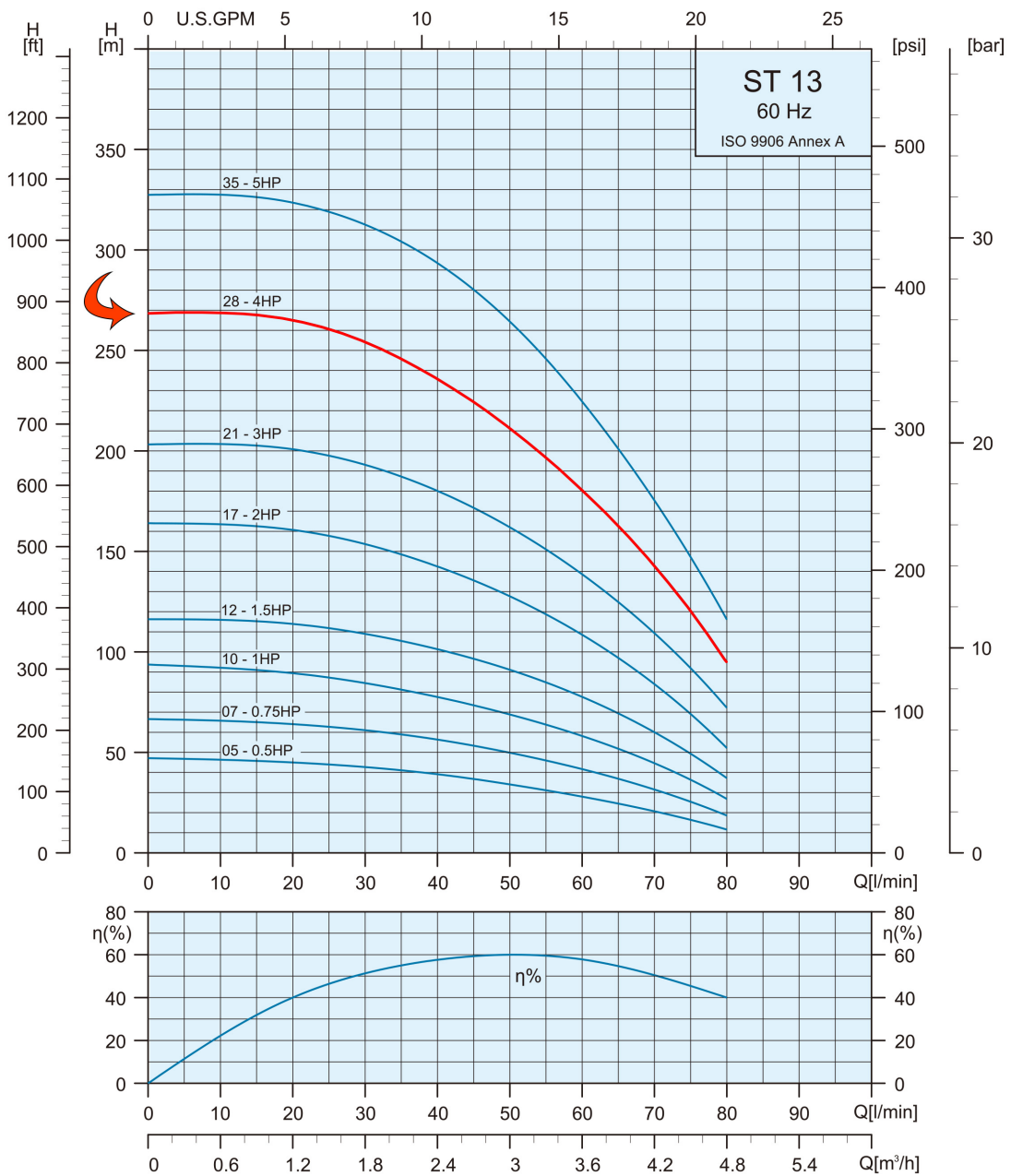
Page:
2

Receiver

From

Company name
Respons. Department
Person in charge
Phone number
Fax no
E-mail address

Pump Model	Motor		Q Capacity 3500RPM								
			Gal/Min	0	7.9	9.2	10.6	13.2	15.9	18.5	21.1
ST 13-28	3.7	5	Head in Feet	882.5	833.3	807.1	774.3	692.3	590.6	465.9	315
			Head in Meters	269.8	255.8	247.2	236.0	211.8	177.8	141.9	109.8



Project

Project ID

Created by

Created on

Last update



Part List and Materials

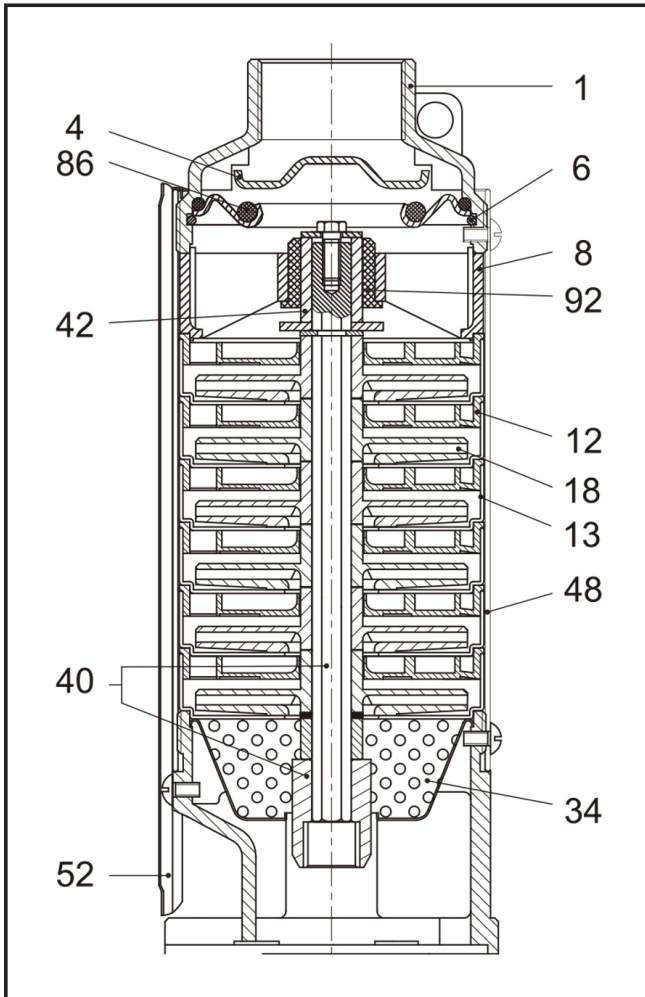
Submersible Pump - SP 13-28

Revision no. _____
 Page: 3

Receiver	From

Company name
 Respons. Department
 Person in charge
 Phone number
 Fax no
 E-mail address

Motor Model	P2		S.F	Voltage	Phase	Wire	In	Imax	Istart	PF (%)		Efficiency (%)		RPM	Thrust
	kW	HP								Allowable Load	Overload Factor	Allowable Load	Overload Factor		
	V	PH		A	A		A	N							
4CF6566D	3.7	5	1.15	230	Single	3	22.9	26.2	106.7	0.99	0.99	69.9	69.3	3450	6000



No.	Part Name	Materials
1	Discharge Head	AISI 304
4	Check Valve Cone	AISI 304
6	Check Valve Retaining Ring	AISI 304
8	Bearing Spider	Glass Filled Polycarbonate
12	Diffuser	Glass Filled Polycarbonate
13	Bowl	AISI 304
18	Impeller	Noryl
34	Strainer	AISI 304
40	Pump Shaft / Coupling	AISI 304
42	Shaft Sleeve	AISI 304 or Norly
48	Pump Casing	AISI 304
52	Cable Guard	AISI 304
86	O-Ring	NBR
92	Bearing	Polyacetal

Project	Project ID	Created by	Created on	Last update
---------	------------	------------	------------	-------------