



# Technical Data

## Submersible Pump - ST 07-10

Revision no.

Page:  
1

Receiver

From

Company name  
Respons. Department  
Person in charge  
Phone number  
Fax no  
E-mail address



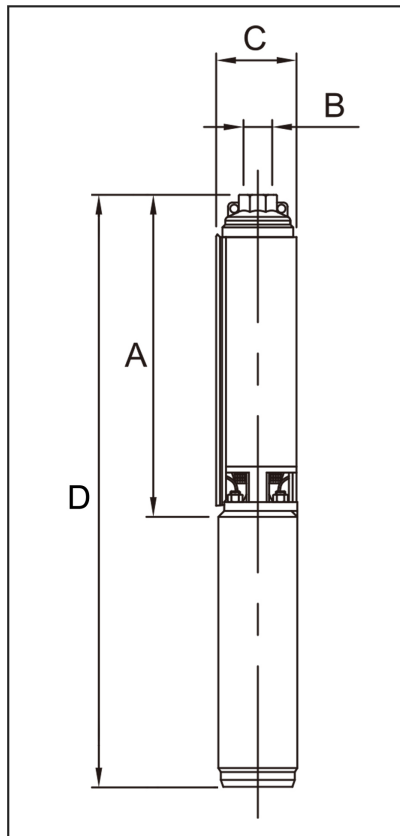


**Brand: Gol Pumps**  
**Model: ST 07-10**

Weight (lb)		
Pump	Motor	Pump + Motor
7.3	19.4	26.7

Cable	
Length (Ft)	AWG
3.9	14

**Dimensions:**



Outlet	Motor Dia.	Dimensions (inch)			
		A	B	C	D
NPT 1 1/4"	4"	13"	1 1/4"	3.9"	22.8"

Project

Project ID

Created by

Created on

Last update



# Performance Curves

## Submersible Pump - SP 07-10

Revision no.

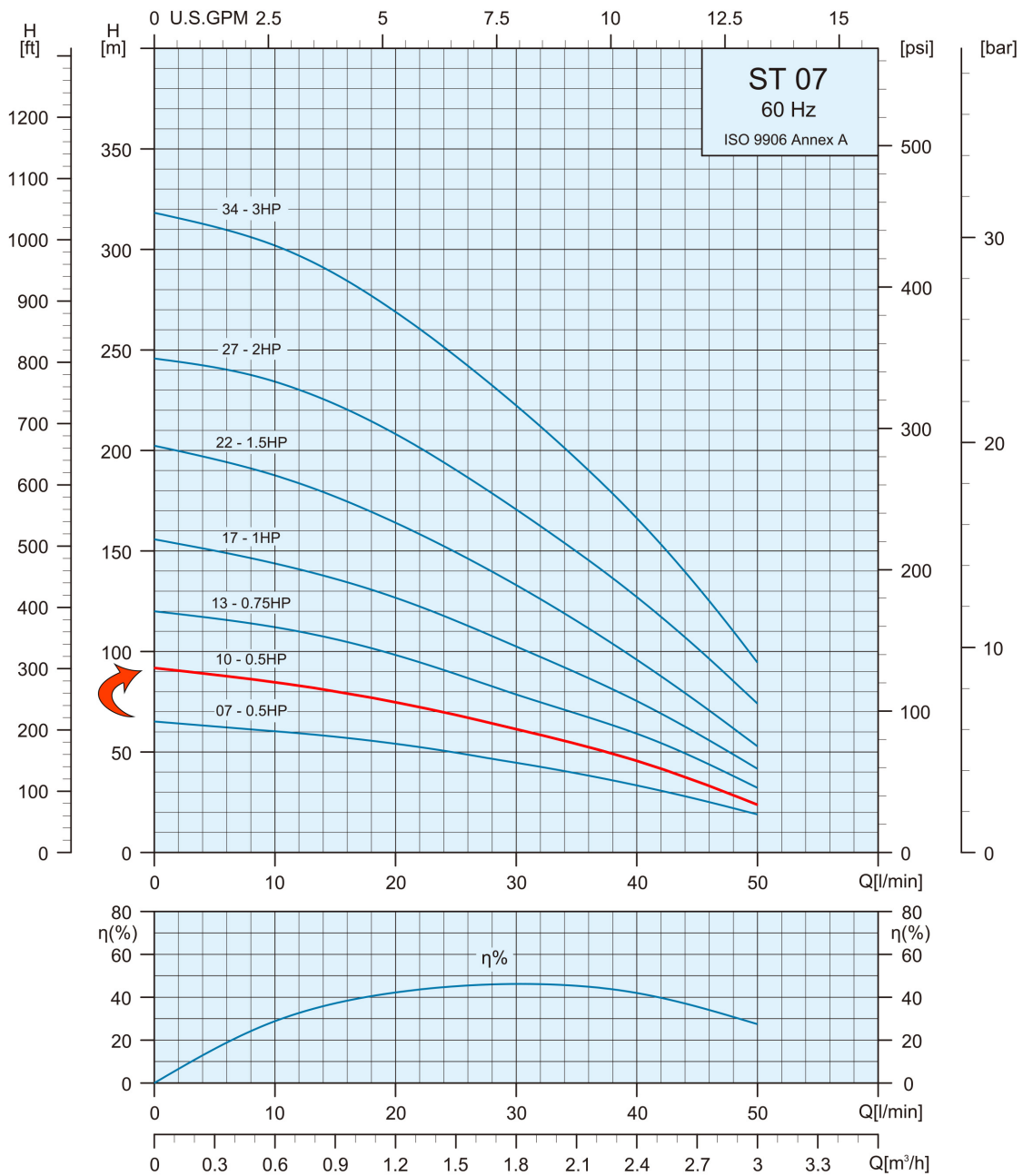
Page:  
2

Receiver

From

Company name  
Respons. Department  
Person in charge  
Phone number  
Fax no  
E-mail address

Pump Model	Motor		Q Capacity 3500RPM									
			Gal/Min	0	4	5.3	6.6	7.9	9.2	10.6	13.2	
	kW	HP	Head in Feet	301.8	262.5	246.1	223.1	203.4	177.2	154.2	78.7	
ST 7-10	0.37	0.5										



Project

Project ID

Created by

Created on

Last update



# Part List and Materials

## Submersible Pump - SP 07-10

Revision no.

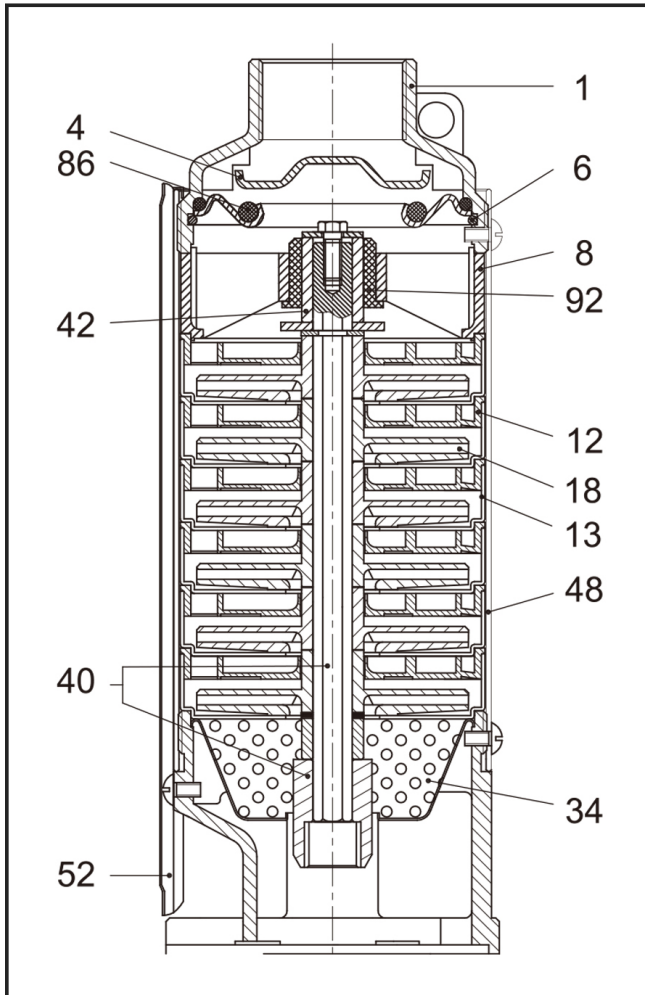
 Page:  
3

Receiver

From

 Company name  
 Respons. Department  
 Person in charge  
 Phone number  
 Fax no  
 E-mail address

Motor Model	P2		S.F	Voltage	Phase	In	I <sub>max</sub>	I <sub>start</sub>	PF (%)		Efficiency (%)		RPM	Thrust
	kW	HP		V	PH	A	A	A	Allowable Load	Overload Factor	Allowable Load	Overload Factor		N
	4CF2906	0.37		0.5	1.6	230	Three	2.4	2.8	15	0.57	0.71		67.7



No.	Part Name	Materials
1	Discharge Head	AISI 304
4	Check Valve Cone	AISI 304
6	Check Valve Retaining Ring	AISI 304
8	Bearing Spider	Glass Filled Polycarbonate
12	Diffuser	Glass Filled Polycarbonate
13	Bowl	AISI 304
18	Impeller	Noryl
34	Strainer	AISI 304
40	Pump Shaft / Coupling	AISI 304
42	Shaft Sleeve	AISI 304 or Norly
48	Pump Casing	AISI 304
52	Cable Guard	AISI 304
86	O-Ring	NBR
92	Bearing	Polyacetal

Project

Project ID

Created by

Created on

Last update