



Technical Data

Submersible Pump - ST 07-17

Revision no.

Page:
1

Receiver

From

Company name
Respons. Department
Person in charge
Phone number
Fax no
E-mail address



Brand: Gol Pumps
Model: ST 07-17

Weight (lb)		
Pump	Motor	Pump + Motor
9.9	24.2	34.1

Cable	
Length (Ft)	AWG
3.9	14

Dimensions:



Outlet	Motor Dia.	Dimensions (inch)			
		A	B	C	D
NPT 1 1/4"	4"	17.9"	1 1/4"	3.9"	29.6"

Project

Project ID

Created by

Created on

Last update



Performance Curves

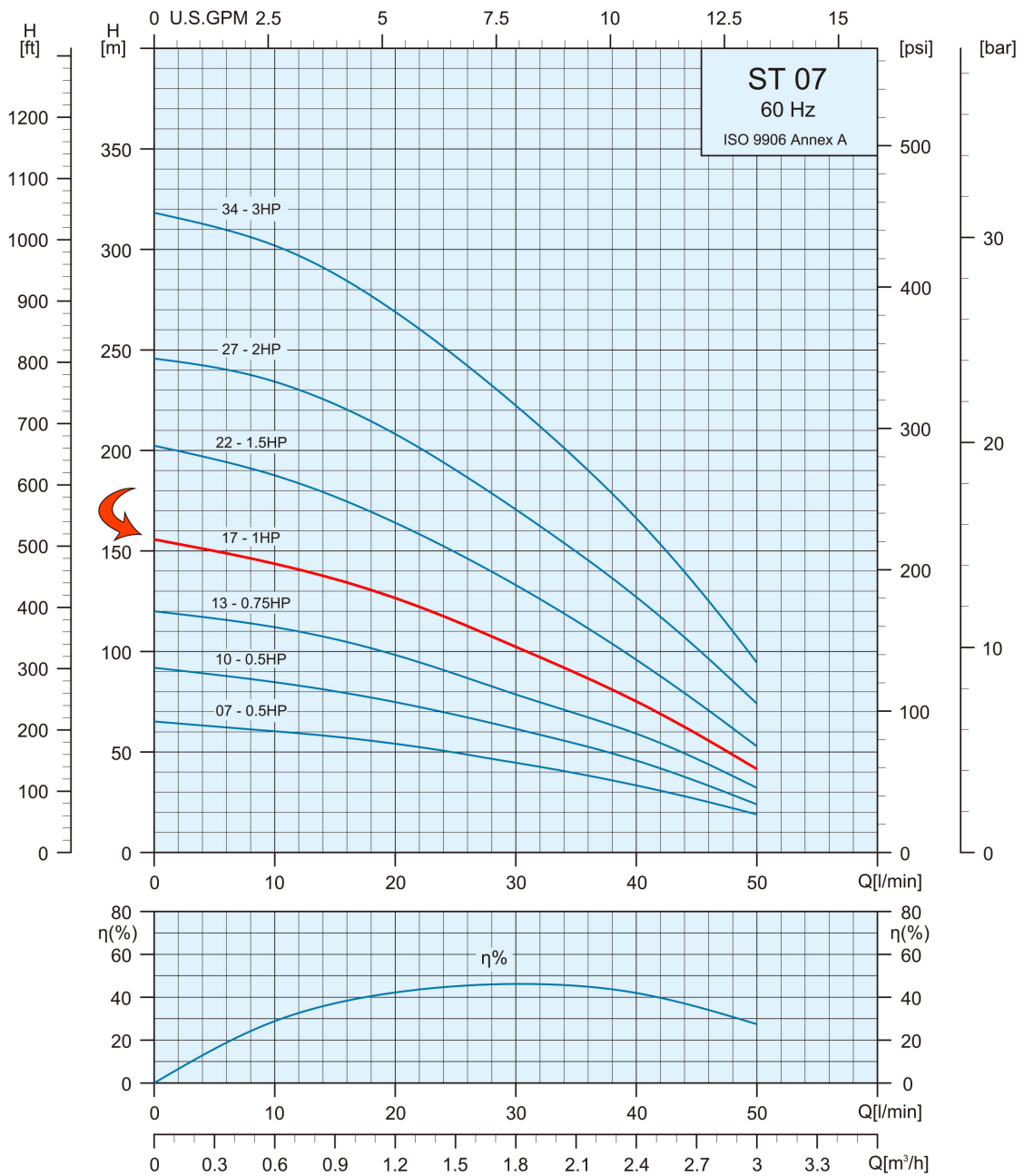
Submersible Pump - SP 07-17

Revision no. _____
Page: 2

Receiver	From

Company name
Respons. Department
Person in charge
Phone number
Fax no
E-mail address

Pump Model	Motor		Q Capacity 3500RPM								
			Gal/Min	0	4	5.3	6.6	7.9	9.2	10.6	13.2
	kW	HP	Head in Feet	511.8	446.2	416.7	377.3	334.6	292	246.1	137.8
ST 7-17	0.75	1									



Project	Project ID	Created by	Created on	Last update
---------	------------	------------	------------	-------------



Part List and Materials Submersible Pump - SP 07-17

Revision no.

Page:

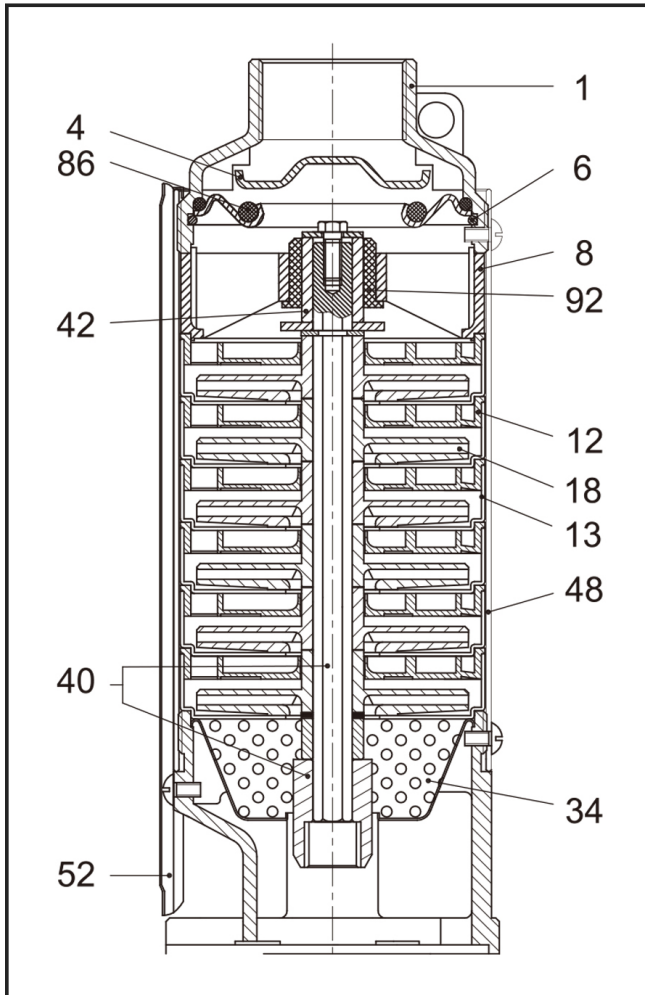
3

Receiver

From

 Company name
 Respons. Department
 Person in charge
 Phone number
 Fax no
 E-mail address

Motor Model	P2		S.F	Voltage	Phase	In	I _{max}	I _{start}	PF (%)		Efficiency (%)		RPM	Thrust
	kW	HP		V	PH	A	A	A	Allowable Load	Overload Factor	Allowable Load	Overload Factor		N
	4CF3326	0.75		1	1.4	460	Three	3	3.2	19.1	0.48	0.58		65.2



No.	Part Name	Materials
1	Discharge Head	AISI 304
4	Check Valve Cone	AISI 304
6	Check Valve Retaining Ring	AISI 304
8	Bearing Spider	Glass Filled Polycarbonate
12	Diffuser	Glass Filled Polycarbonate
13	Bowl	AISI 304
18	Impeller	Noryl
34	Strainer	AISI 304
40	Pump Shaft / Coupling	AISI 304
42	Shaft Sleeve	AISI 304 or Norly
48	Pump Casing	AISI 304
52	Cable Guard	AISI 304
86	O-Ring	NBR
92	Bearing	Polyacetal

Project

Project ID

Created by

Created on

Last update