



Technical Data

Submersible Pump - ST 07-22

Revision no.

Page:
1

Receiver

From

Company name
Respons. Department
Person in charge
Phone number
Fax no
E-mail address



Brand: Gol Pumps
Model: ST 07-22

Weight (lb)		
Pump	Motor	Pump + Motor
11.9	24	35.9

Cable	
Length (Ft)	AWG
3.9	14

Dimensions:



Outlet	Motor Dia.	Dimensions (inch)			
		A	B	C	D
NPT 1 1/4"	4"	21.5"	1 1/4"	3.9"	33.2"

Project

Project ID

Created by

Created on

Last update



Performance Curves

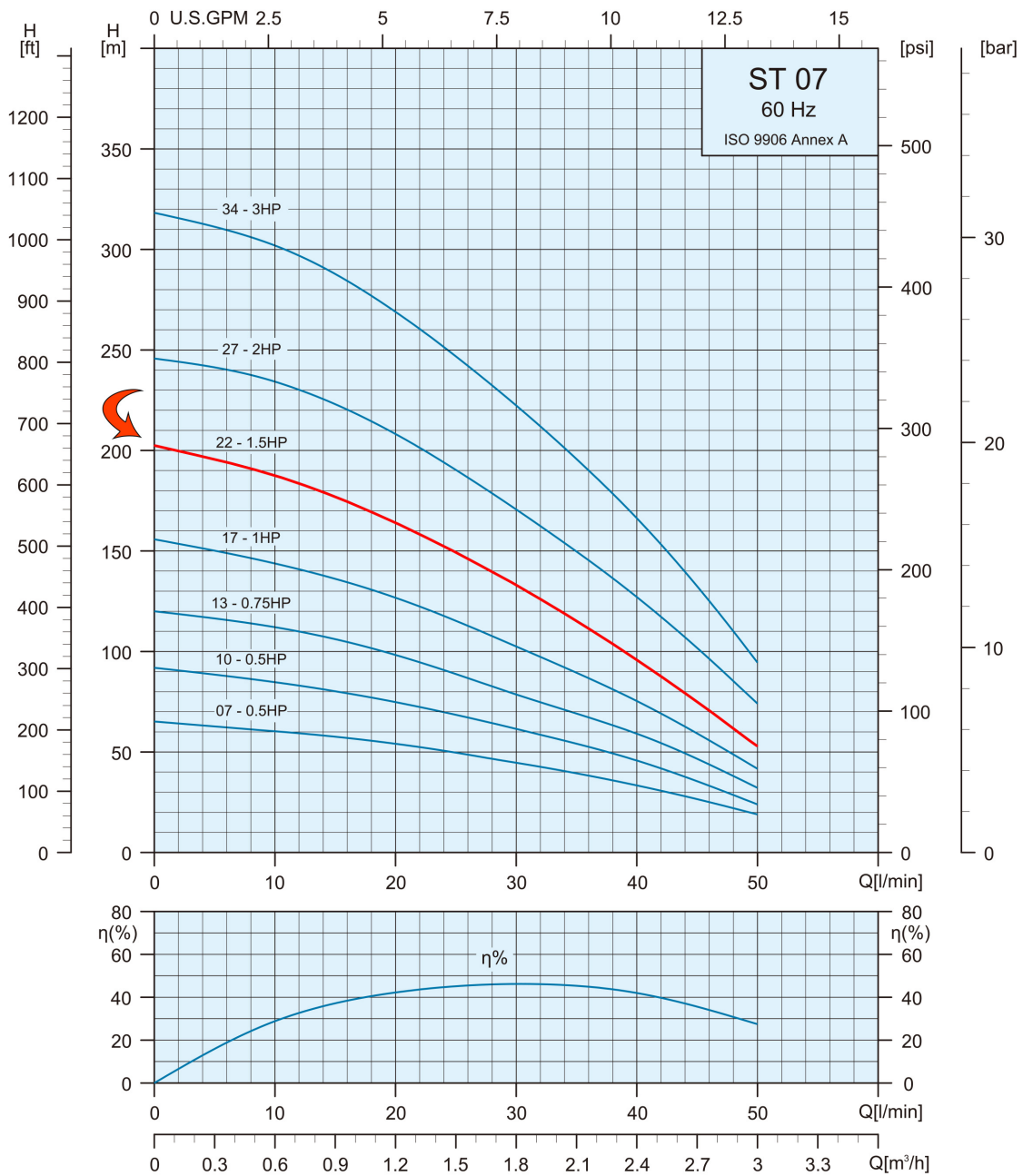
Submersible Pump - SP 07-22

Revision no. _____
Page: 2

Receiver	From

Company name
Respons. Department
Person in charge
Phone number
Fax no
E-mail address

Pump Model	Motor		Q Capacity 3500RPM									
			Gal/Min	0	4	5.3	6.6	7.9	9.2	10.6	13.2	
	kW	HP	Head in Feet	666	580.7	541.3	492.1	436.4	377.3	318.2	173.9	
ST 7-22	1.1	1.5										



Project	Project ID	Created by	Created on	Last update
---------	------------	------------	------------	-------------



Part List and Materials

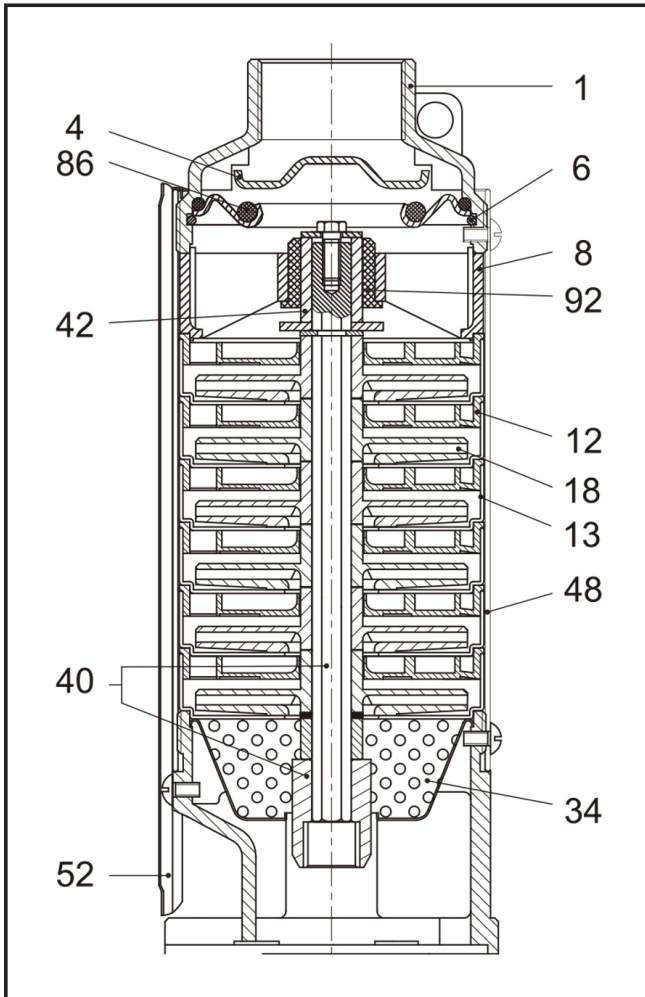
Submersible Pump - SP 07-22

Revision no. _____ Page: 3

Receiver	From

Company name
 Respons. Department
 Person in charge
 Phone number
 Fax no
 E-mail address

Motor Model	P2		S.F	Voltage	Phase	In	I _{max}	I _{start}	PF (%)		Efficiency (%)		RPM	Thrust
	kW	HP		V	PH	A	A	A	Allowable Load	Overload Factor	Allowable Load	Overload Factor		N
	4CF3936	1.1		1.5	1.3	230	Three	4.8	6.4	34.8	0.73	0.82		76.7



No.	Part Name	Materials
1	Discharge Head	AISI 304
4	Check Valve Cone	AISI 304
6	Check Valve Retaining Ring	AISI 304
8	Bearing Spider	Glass Filled Polycarbonate
12	Diffuser	Glass Filled Polycarbonate
13	Bowl	AISI 304
18	Impeller	Noryl
34	Strainer	AISI 304
40	Pump Shaft / Coupling	AISI 304
42	Shaft Sleeve	AISI 304 or Norly
48	Pump Casing	AISI 304
52	Cable Guard	AISI 304
86	O-Ring	NBR
92	Bearing	Polyacetal

Project	Project ID	Created by	Created on	Last update
---------	------------	------------	------------	-------------