



Technical Data

Submersible Pump - SP 90-6

Revision no.

Page:
1

Receiver

From

Company name
Respons. Department
Person in charge
Phone number
Fax no
E-mail address

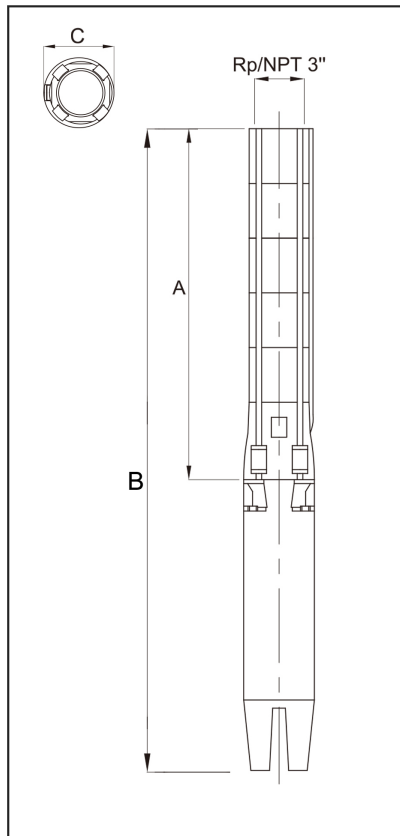


Brand: Gol Pumps
Model: SP 90-6

Weight (lb)		
Pump	Motor	Pump + Motor
25.5	64	89.5

Cable	
Length (Ft)	AWG
8.2	14

Dimensions:



Outlet	Motor Dia.	Dimensions (inch)		
		A	B	C
NPT 3"	4"	24.6"	52.3"	5.2"

Project

Project ID

Created by

Created on

Last update



Performance Curves

Submersible Pump - SP 90-6

Revision no.

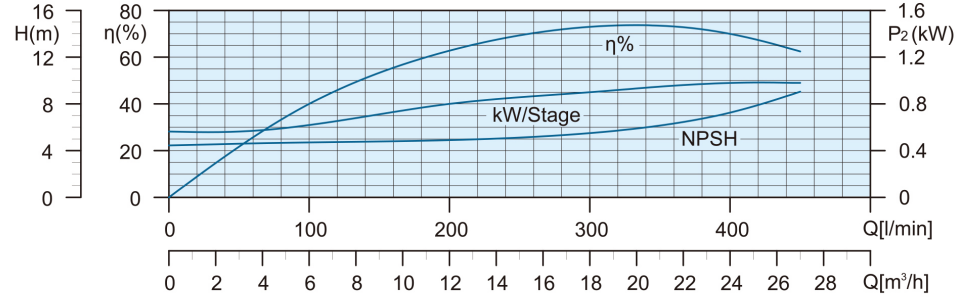
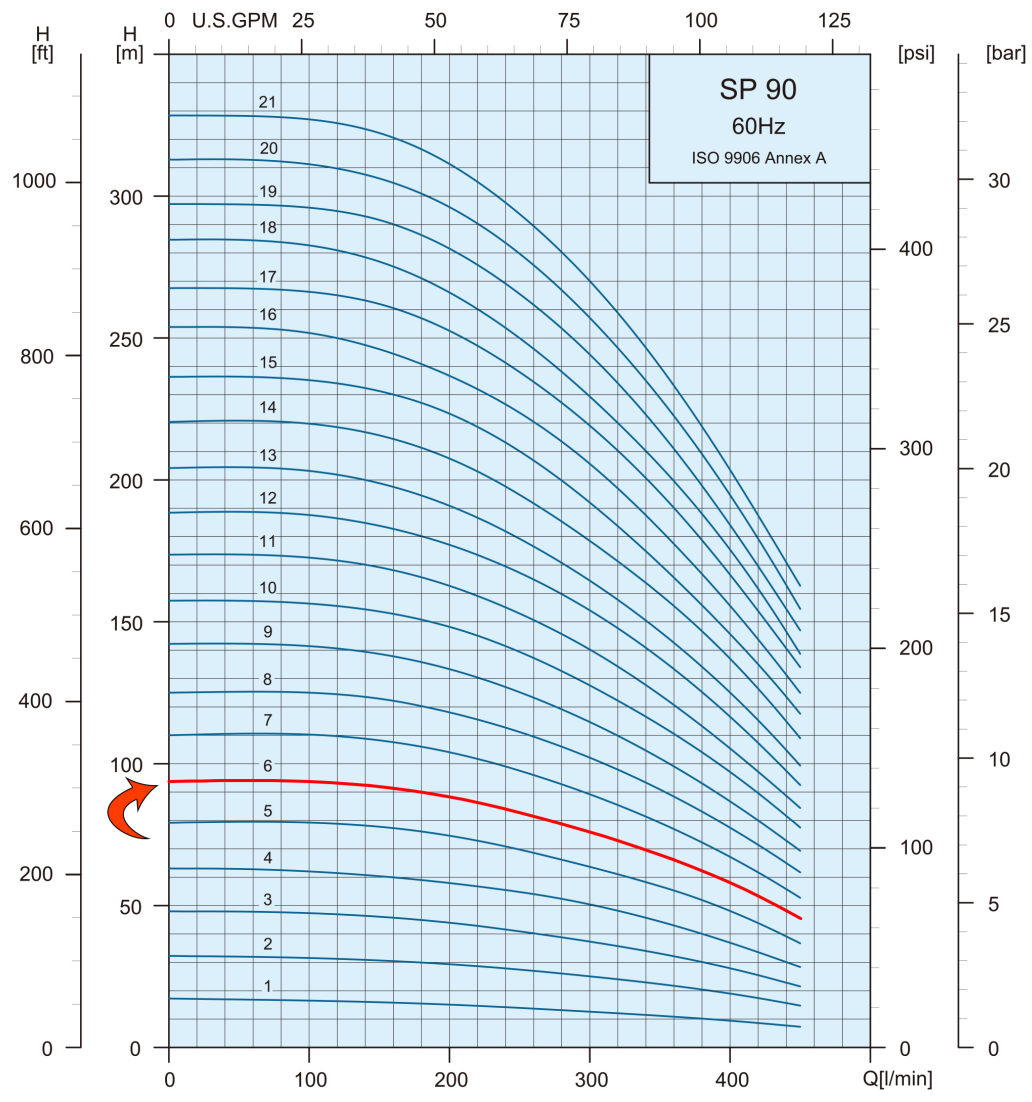
Page:
2

Receiver

From

Company name
 Respons. Department
 Person in charge
 Phone number
 Fax no
 E-mail address

Pump Model	Motor		Q Capacity 3450RPM								
	P2		G/Min	26.4	39.6	52.8	66	79.3	92.5	105.7	118.9
	kW	HP	Head in Feet	305.1	301.8	288.7	272.3	249.3	223.1	190.3	150.9
SP 90-6	5.5	7.5									



Project	Project ID	Created by	Created on	Last update
---------	------------	------------	------------	-------------



Part List and Materials

Submersible Pump - SP 90-6

Revision no.

Page:

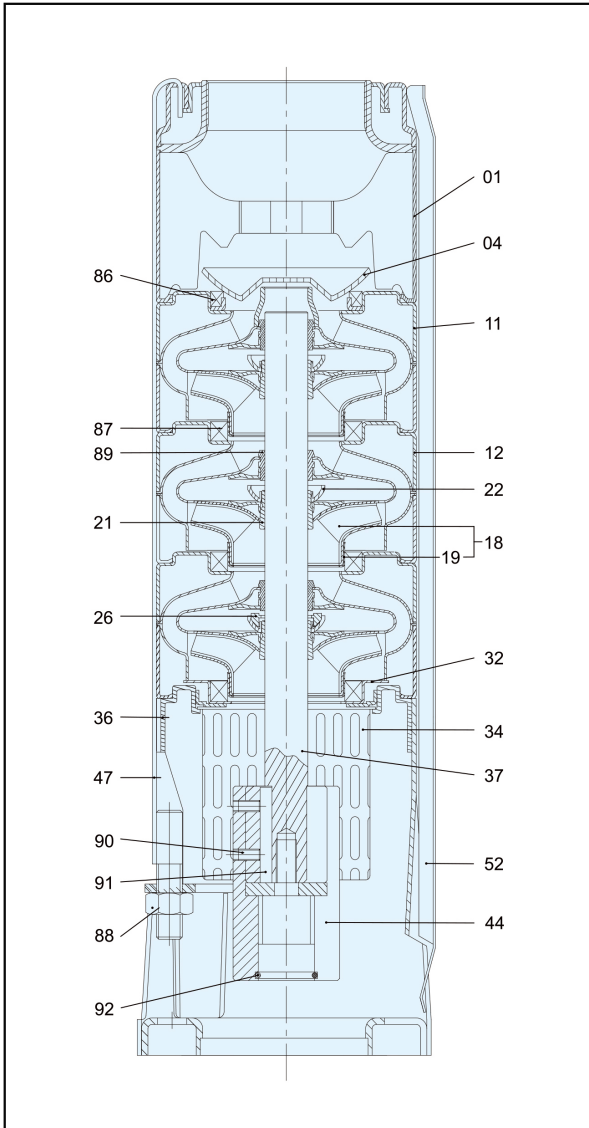
3

Receiver

From

 Company name
 Respons. Department
 Person in charge
 Phone number
 Fax no
 E-mail address

Motor Model	P2		S.F	Voltage	Phase	In	Imax	Istart	PF (%)		Efficiency (%)		RPM	Thrust
	kW	HP							V	PH	A	A		
4CN6396	5.5	7.5	1.15	460	Three	10.9	12.1	78.3	0.79	0.83	79.1	78.7	3450	6000



Pos.	Part Name	Materials
01	Discharge	AISI 316
04	Valve Cone	AISI 316
11	Top Diffuser	AISI 316
12	Diffuser	AISI 316
18	Impeller	AISI 316
19	Ring of Impeller	AISI 316
21	Split Cone	AISI 316
22	Split Cone Nut	AISI 316
26	Spacing Washer for Stop Ring	Carbon + Graphite + PTFE
23	Neck Ring Retainer	AISI 316
34	Strainer	AISI 316
36	Suction Interconnector	AISI 316
37	Pump Shaft	AISI 316
44	Coupling	AISI 316
47	Strap	AISI 316
52	Cable Guard	AISI 316
86	Valve Seat	AISI 316 + HNBR
87	Neck Ring Nut	AISI 316 + HNBR
88	Nut	AISI 316
89	Bearing	HNBR
90	Screw	AISI 316
91	Key	AISI 316
92	O-ring	HNBR

Project

Project ID

Created by

Created on

Last update