



# Technical Data

## Submersible Pump - SP 150-17

Revision no.

Page:  
 1

	Receiver	From
Company name	<input style="width: 100%;" type="text"/>	<input style="width: 100%;" type="text"/>
Respons. Department	<input style="width: 100%;" type="text"/>	<input style="width: 100%;" type="text"/>
Person in charge	<input style="width: 100%;" type="text"/>	<input style="width: 100%;" type="text"/>
Phone number	<input style="width: 100%;" type="text"/>	<input style="width: 100%;" type="text"/>
Fax no	<input style="width: 100%;" type="text"/>	<input style="width: 100%;" type="text"/>
E-mail address	<input style="width: 100%;" type="text"/>	<input style="width: 100%;" type="text"/>

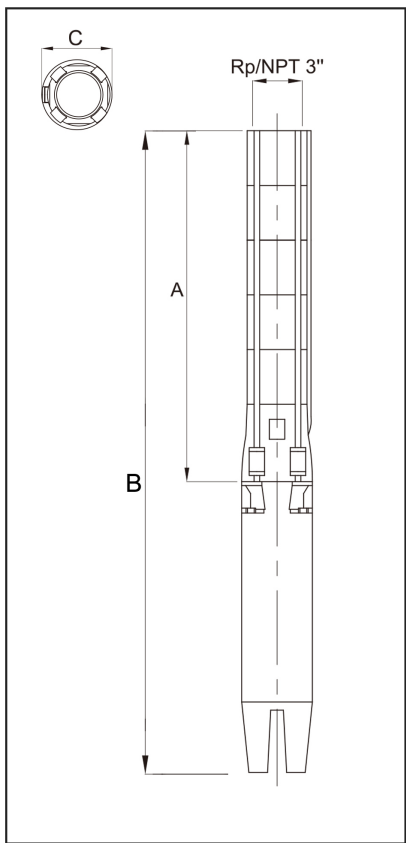


**Brand: Gol Pumps**  
**Model: SP 150-17**

Weight (lb)		
Pump	Motor	Pump + Motor
74.4	155.3	229.7

Cable	
Length (Ft)	AWG
13.1	10

**Dimensions:**



Outlet	Motor Dia.	Dimensions (inch)		
		A	B	C
NPT 3"	6"	74.9"	110.3"	5.6"

Project	Project ID	Created by	Created on	Last update
---------	------------	------------	------------	-------------



# Performance Curves

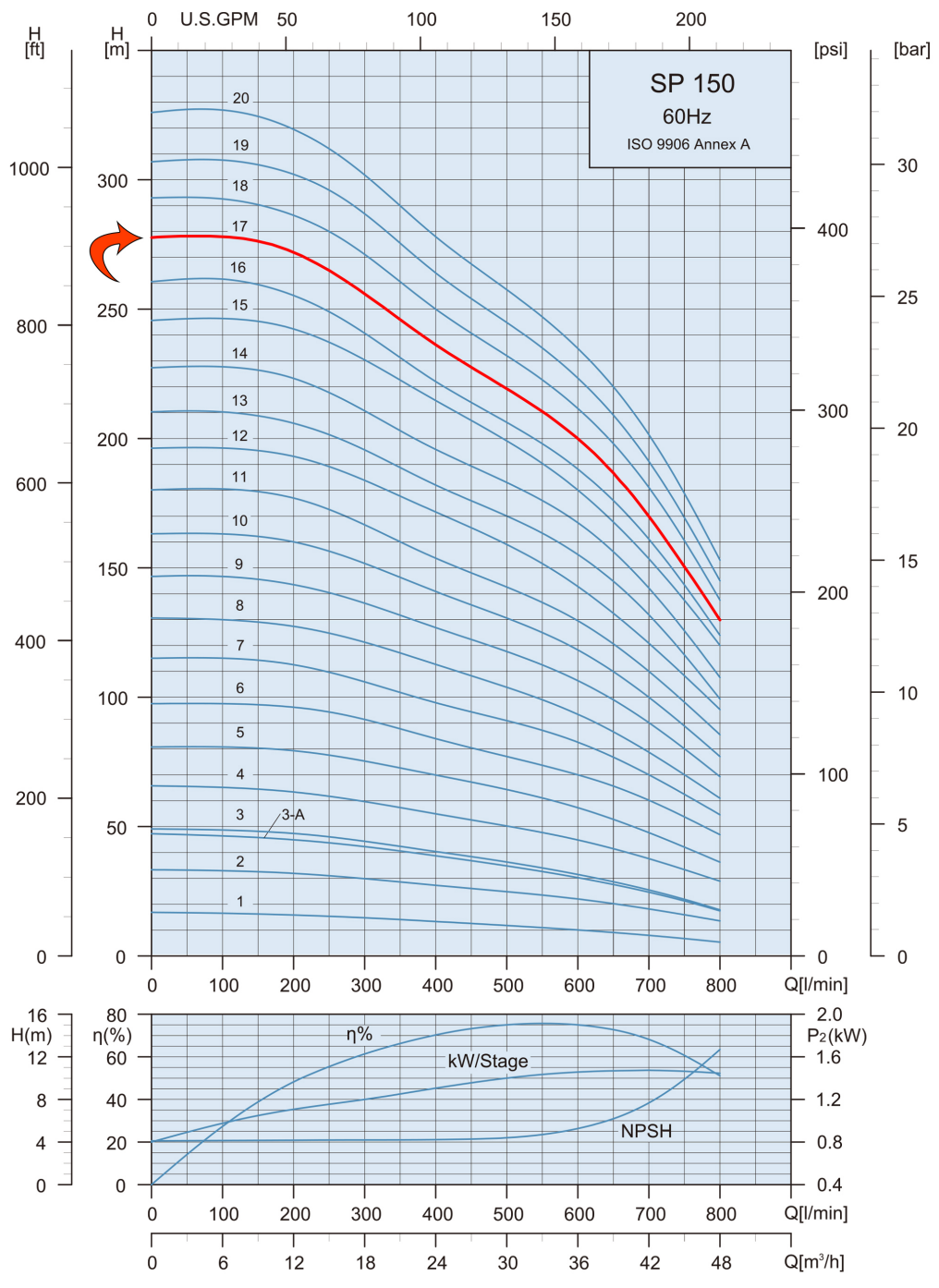
## Submersible Pump - SP 150-17

Revision no. \_\_\_\_\_  
 \_\_\_\_\_

Page: 2

	<b>Receiver</b>	<b>From</b>
Company name		
Respons. Department		
Person in charge		
Phone number		
Fax no		
E-mail address		

Pump Model	Motor		Q Capacity 3450RPM													
	P2		G/Min	52.8	66	79.3	92.5	105.7	118.9	132.1	145.3	158.5	171.7	184.9	198.1	211.3
	kW	HP	Head in Feet	892.4	869.4	839.9	807.1	774.3	744.8	718.5	689	656.2	613.5	557.7	492.1	426.5
<b>SP 150-17</b>	22	30														



Project	Project ID	Created by	Created on	Last update
---------	------------	------------	------------	-------------



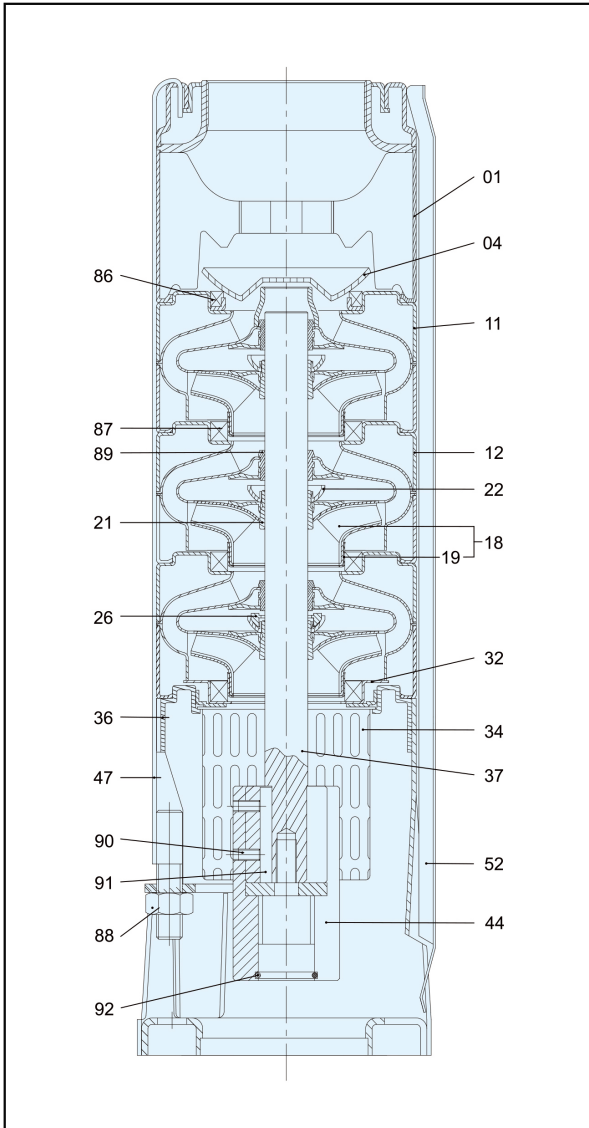
## Part List and Materials Submersible Pump - SP 150-17

Revision no. \_\_\_\_\_  
Page: 3

Receiver	From

Company name  
Respons. Department  
Person in charge  
Phone number  
Fax no  
E-mail address

Motor Model	P2		S.F	Voltage	Phase	In	Imax	Istart	PF (%)		Efficiency (%)		RPM	Thrust N
	kW	HP							Allowable Load	Overload Factor	Allowable Load	Overload Factor		
	V	PH		A	A	A								
6CN7366D	22	30	1.15	460	Three	37.6	43	148.2	0.87	0.88	84.3	83.6	3450	15500



Pos.	Part Name	Materials
01	Discharge	AISI 316
04	Valve Cone	AISI 316
11	Top Diffuser	AISI 316
12	Diffuser	AISI 316
18	Impeller	AISI 316
19	Ring of Impeller	AISI 316
21	Split Cone	AISI 316
22	Split Cone Nut	AISI 316
26	Spacing Washer for Stop Ring	Carbon + Graphite + PTFE
23	Neck Ring Retainer	AISI 316
34	Strainer	AISI 316
36	Suction Interconnector	AISI 316
37	Pump Shaft	AISI 316
44	Coupling	AISI 316
47	Strap	AISI 316
52	Cable Guard	AISI 316
86	Valve Seat	AISI 316 + HNBR
87	Neck Ring Nut	AISI 316 + HNBR
88	Nut	AISI 316
89	Bearing	HNBR
90	Screw	AISI 316
91	Key	AISI 316
92	O-ring	HNBR

Project	Project ID	Created by	Created on	Last update
---------	------------	------------	------------	-------------