



Technical Data

Submersible Pump - SP 150-28

Revision no.

Page:
 1

	Receiver	From
Company name		
Respons. Department		
Person in charge		
Phone number		
Fax no		
E-mail address		

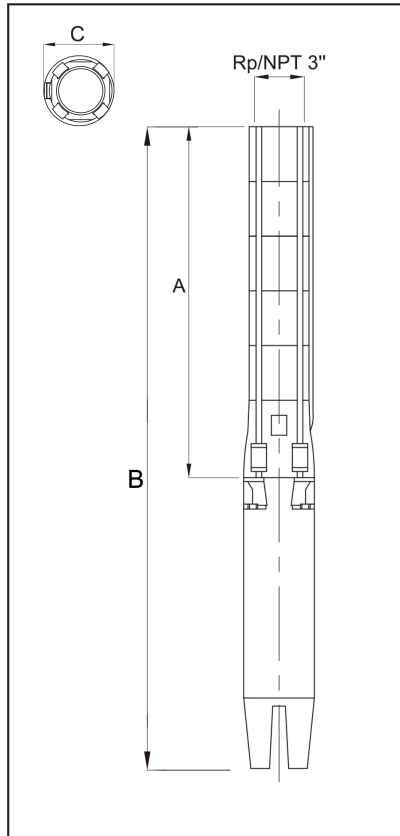


Brand: Gol Pumps
Model: SP 150-28

Weight (lb)		
Pump	Motor	Pump + Motor
115.3	236.5	351.8

Cable	
Length (Ft)	AWG
13.1	8

Dimensions:



Outlet	Motor Dia.	Dimensions (inch)		
		A	B	C
NPT 3"	6"	116.5"	166.1"	5.6"

Project	Project ID	Created by	Created on	Last update
---------	------------	------------	------------	-------------



Performance Curves

Submersible Pump - SP 150-28

Revision no. _____

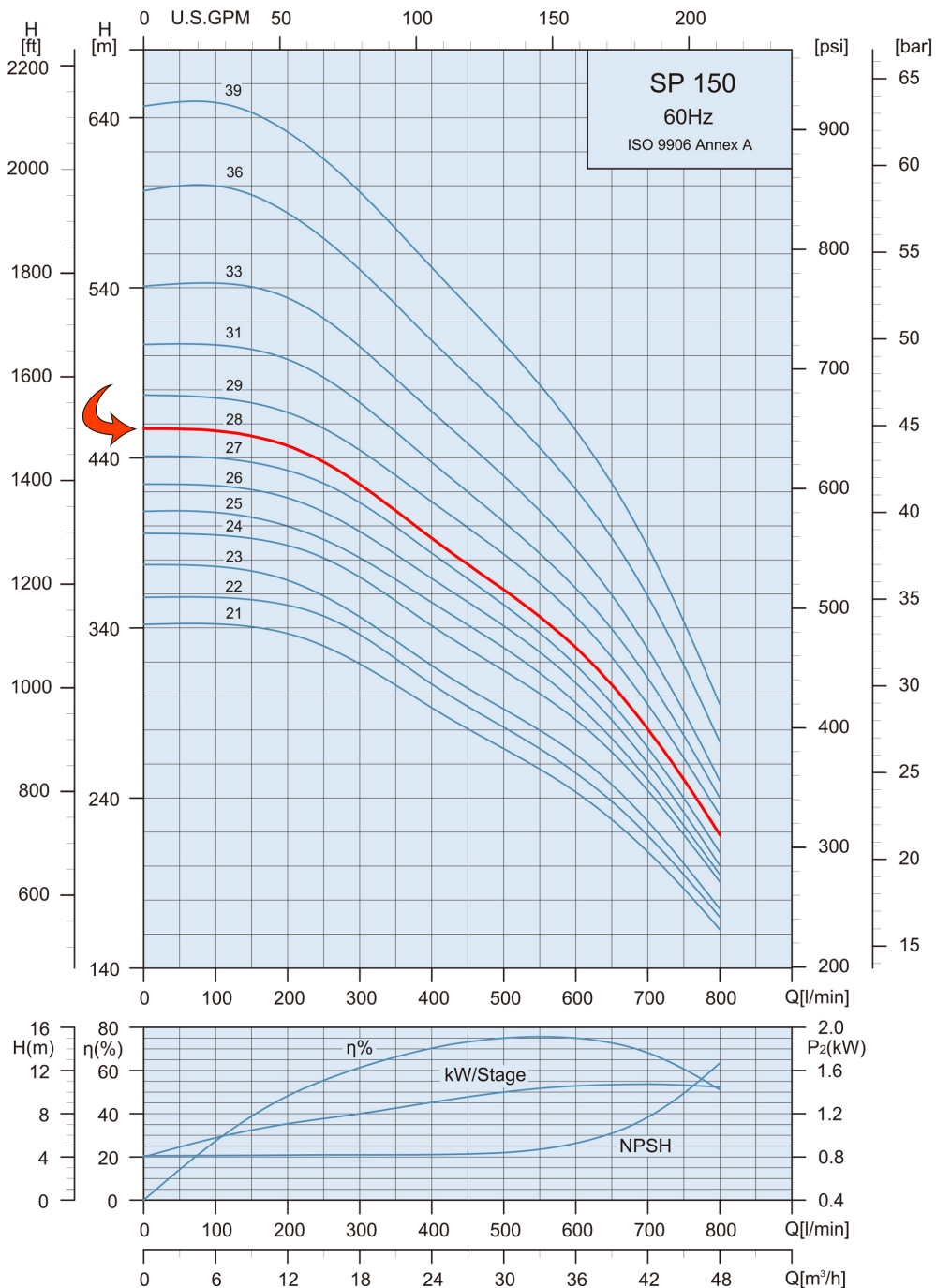
Page: 2

Receiver _____

From _____

Company name _____
 Respons. Department _____
 Person in charge _____
 Phone number _____
 Fax no _____
 E-mail address _____

Pump Model	Motor		Q Capacity 3450RPM													
	P2		G/Min	52.8	66	79.3	92.5	105.7	118.9	132.1	145.3	158.5	171.7	184.9	198.1	211.3
	kW	HP	Head in Feet	1467	1437	1391	1342	1112	1237	1191	1139	1076	1004	918.6	820.2	715.2
SP 150-28	37	50														



Project _____	Project ID _____	Created by _____	Created on _____	Last update _____
---------------	------------------	------------------	------------------	-------------------



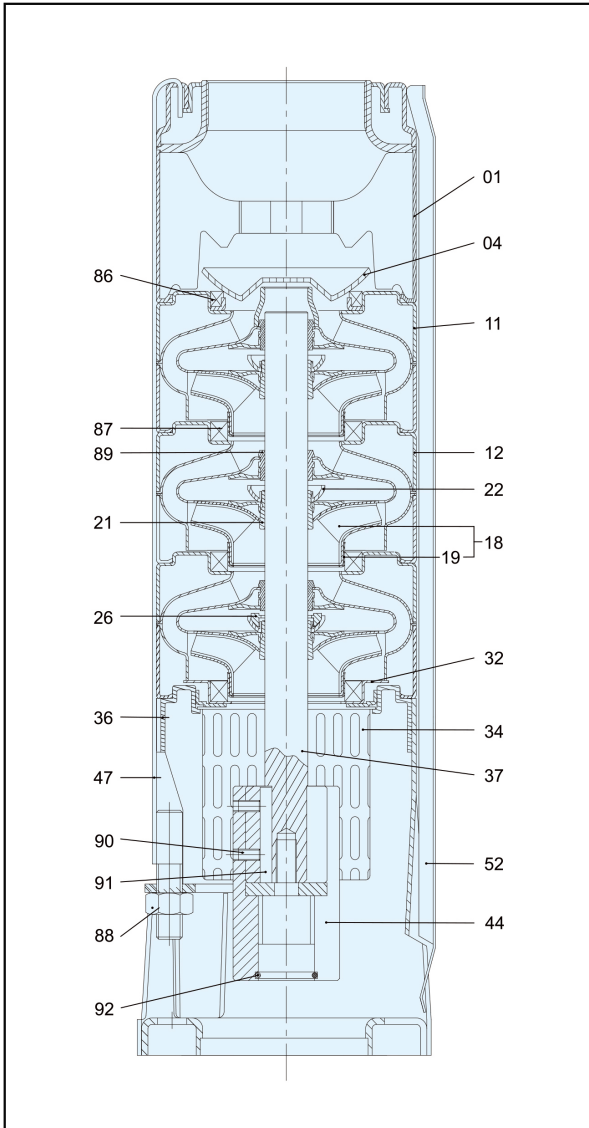
Part List and Materials Submersible Pump - SP 150-28

Revision no. _____
Page: 3

Receiver	From

Company name
Respons. Department
Person in charge
Phone number
Fax no
E-mail address

Motor Model	P2		S.F	Voltage	Phase	In	Imax	Istart	PF (%)		Efficiency (%)		RPM	Thrust
	kW	HP							Allowable Load	Overload Factor	Allowable Load	Overload Factor		
	V	PH		A	A	A	N							
6CN8386D	37	50	1.15	460	Three	65.9	77.6	382.3	0.84	0.84	84	83.8	3450	27500



Pos.	Part Name	Materials
01	Discharge	AISI 316
04	Valve Cone	AISI 316
11	Top Diffuser	AISI 316
12	Diffuser	AISI 316
18	Impeller	AISI 316
19	Ring of Impeller	AISI 316
21	Split Cone	AISI 316
22	Split Cone Nut	AISI 316
26	Spacing Washer for Stop Ring	Carbon + Graphite + PTFE
23	Neck Ring Retainer	AISI 316
34	Strainer	AISI 316
36	Suction Interconnector	AISI 316
37	Pump Shaft	AISI 316
44	Coupling	AISI 316
47	Strap	AISI 316
52	Cable Guard	AISI 316
86	Valve Seat	AISI 316 + HNBR
87	Neck Ring Nut	AISI 316 + HNBR
88	Nut	AISI 316
89	Bearing	HNBR
90	Screw	AISI 316
91	Key	AISI 316
92	O-ring	HNBR

Project	Project ID	Created by	Created on	Last update
---------	------------	------------	------------	-------------