



# Technical Data

## Submersible Pump - SP 230-5

Revision no.

Page:  
1

Receiver

From

Company name  
Respons. Department  
Person in charge  
Phone number  
Fax no  
E-mail address



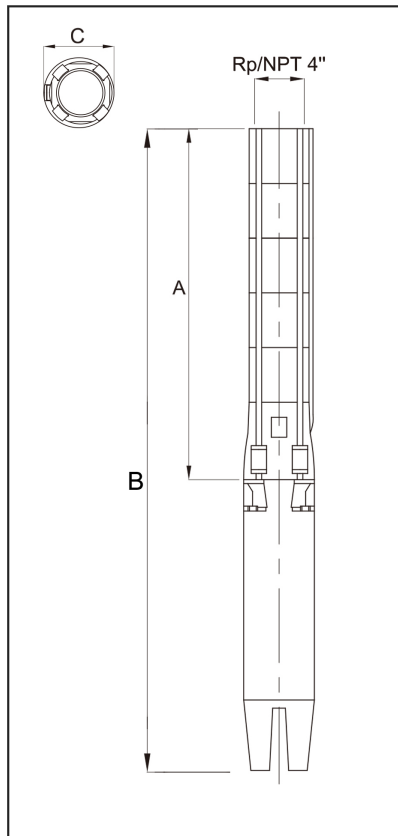


**Brand: Gol Pumps**  
**Model: SP 230-5**

Weight (lb)		
Pump	Motor	Pump + Motor
35.2	130	165.2

Cable	
Length (Ft)	AWG
13.1	10

**Dimensions:**



Outlet	Motor Dia.	Dimensions (inch)		
		A	B	C
NPT 4"	6"	32.9"	63.6"	5.9"

Project

Project ID

Created by

Created on

Last update



# Performance Curves

## Submersible Pump - SP 230-5

Revision no. \_\_\_\_\_  
 \_\_\_\_\_

Page: 2

Receiver \_\_\_\_\_

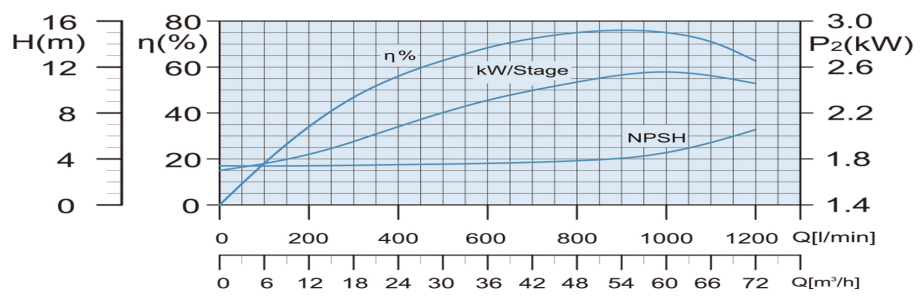
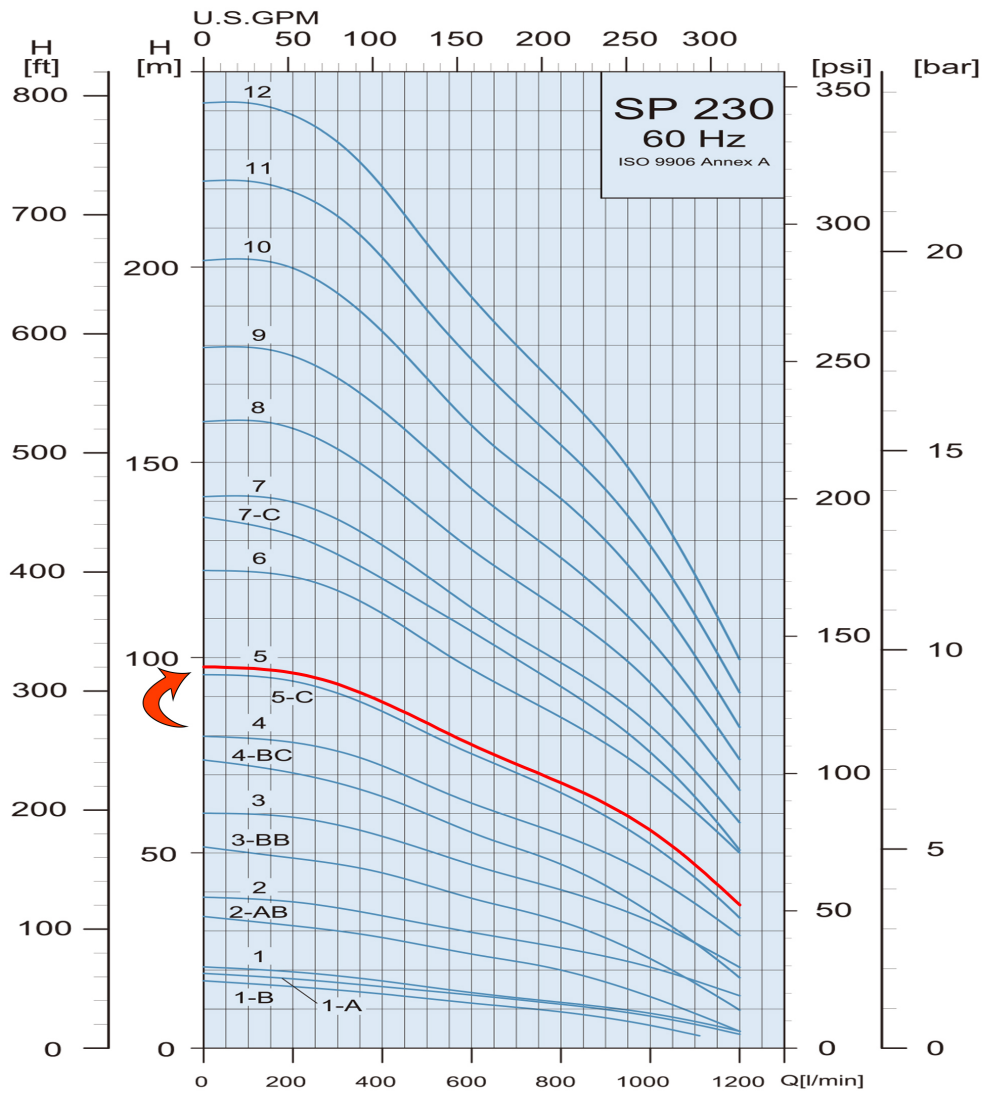
From \_\_\_\_\_

Company name \_\_\_\_\_  
 Respons. Department \_\_\_\_\_  
 Person in charge \_\_\_\_\_  
 Phone number \_\_\_\_\_  
 Fax no \_\_\_\_\_  
 E-mail address \_\_\_\_\_

\_\_\_\_\_

\_\_\_\_\_

Pump Model	Motor		Q Capacity 3450RPM													
	P2		G/Min	79.3	92.5	105.7	118.9	132.1	145.3	158.5	184.9	211.3	237.6	264.2	290.6	317
	kW	HP	Head in Feet	305.1	298.6	288.7	282.2	272.3	265.7	252.6	239.5	223.1	206.7	183.7	154.2	121.4
SP 230-5	15	20														



Project _____	Project ID _____	Created by _____	Created on _____	Last update _____
---------------	------------------	------------------	------------------	-------------------



# Part List and Materials

## Submersible Pump - SP 230-5

Revision no.

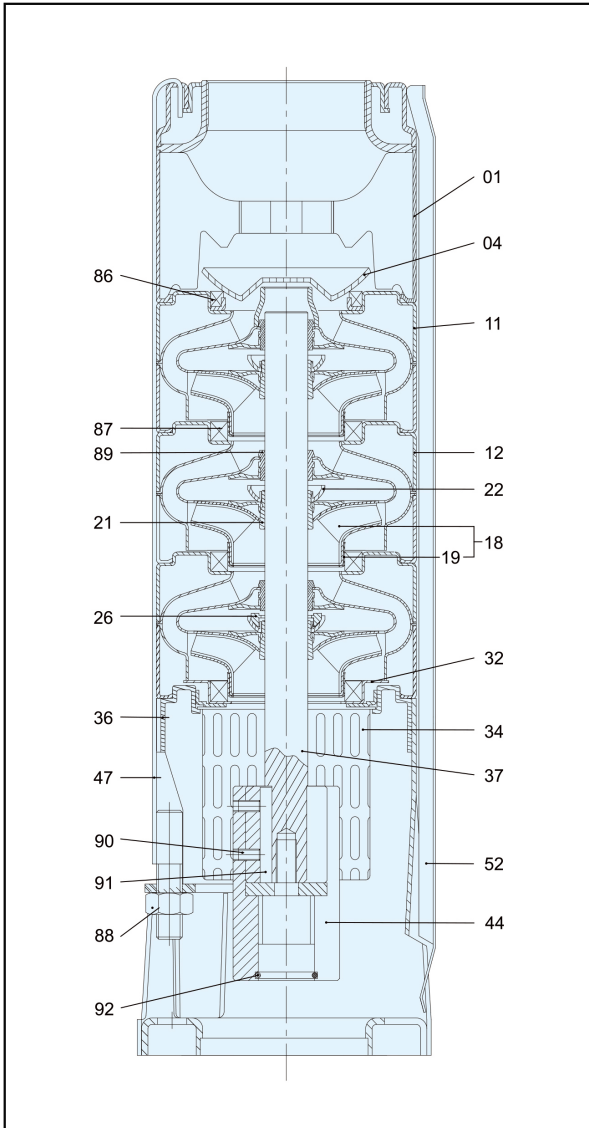
Page:  
3

Receiver

From

Company name  
Respons. Department  
Person in charge  
Phone number  
Fax no  
E-mail address

Motor Model	P2		S.F	Voltage V	Phase PH	In A	Imax A	Istart A	PF (%)		Efficiency (%)		RPM	Thrust N
	kW	HP							Allowable Load	Overload Factor	Allowable Load	Overload Factor		
	6CN7346D	15							20	1.15	460	Three		28.6



Pos.	Part Name	Materials
01	Discharge	AISI 316
04	Valve Cone	AISI 316
11	Top Diffuser	AISI 316
12	Diffuser	AISI 316
18	Impeller	AISI 316
19	Ring of Impeller	AISI 316
21	Split Cone	AISI 316
22	Split Cone Nut	AISI 316
26	Spacing Washer for Stop Ring	Carbon + Graphite + PTFE
23	Neck Ring Retainer	AISI 316
34	Strainer	AISI 316
36	Suction Interconnector	AISI 316
37	Pump Shaft	AISI 316
44	Coupling	AISI 316
47	Strap	AISI 316
52	Cable Guard	AISI 316
86	Valve Seat	AISI 316 + HNBR
87	Neck Ring Nut	AISI 316 + HNBR
88	Nut	AISI 316
89	Bearing	HNBR
90	Screw	AISI 316
91	Key	AISI 316
92	O-ring	HNBR

Project

Project ID

Created by

Created on

Last update