



Technical Data

Submersible Pump - SP 300-4

Revision no.

Page:
1

Receiver

From

Company name
Respons. Department
Person in charge
Phone number
Fax no
E-mail address

| |
|--|
| |
| |
| |
| |
| |
| |

| |
|--|
| |
| |
| |
| |
| |
| |

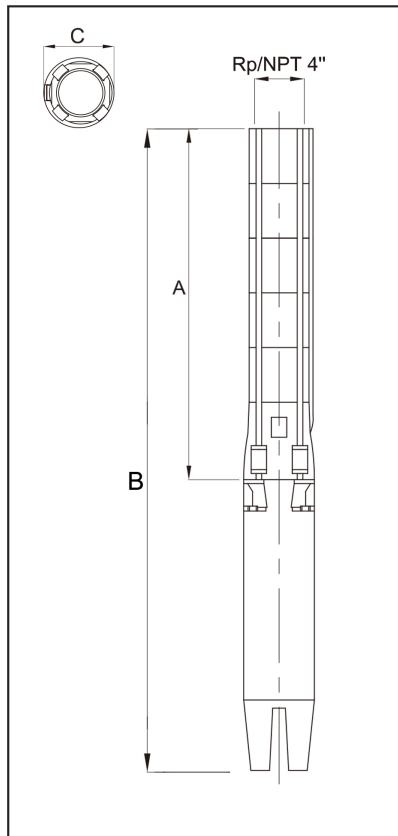


Brand: Gol Pumps
Model: SP 300-4

| Weight (lb) | | |
|-------------|-------|--------------|
| Pump | Motor | Pump + Motor |
| 30.1 | 112.9 | 143 |

| Cable | |
|-------------|-----|
| Length (Ft) | AWG |
| 13.1 | 10 |

Dimensions:



| Outlet | Motor Dia. | Dimensions (inch) | | |
|--------|------------|-------------------|-------|------|
| | | A | B | C |
| NPT 4" | 6" | 28.4" | 56.7" | 5.9" |

Project

Project ID

Created by

Created on

Last update



Performance Curves

Submersible Pump - SP 300-4

Revision no.

Page:
2

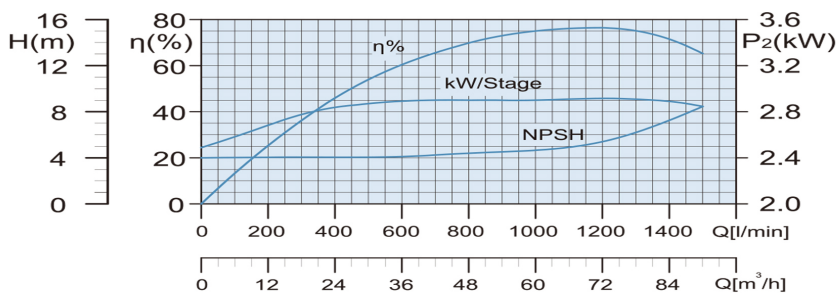
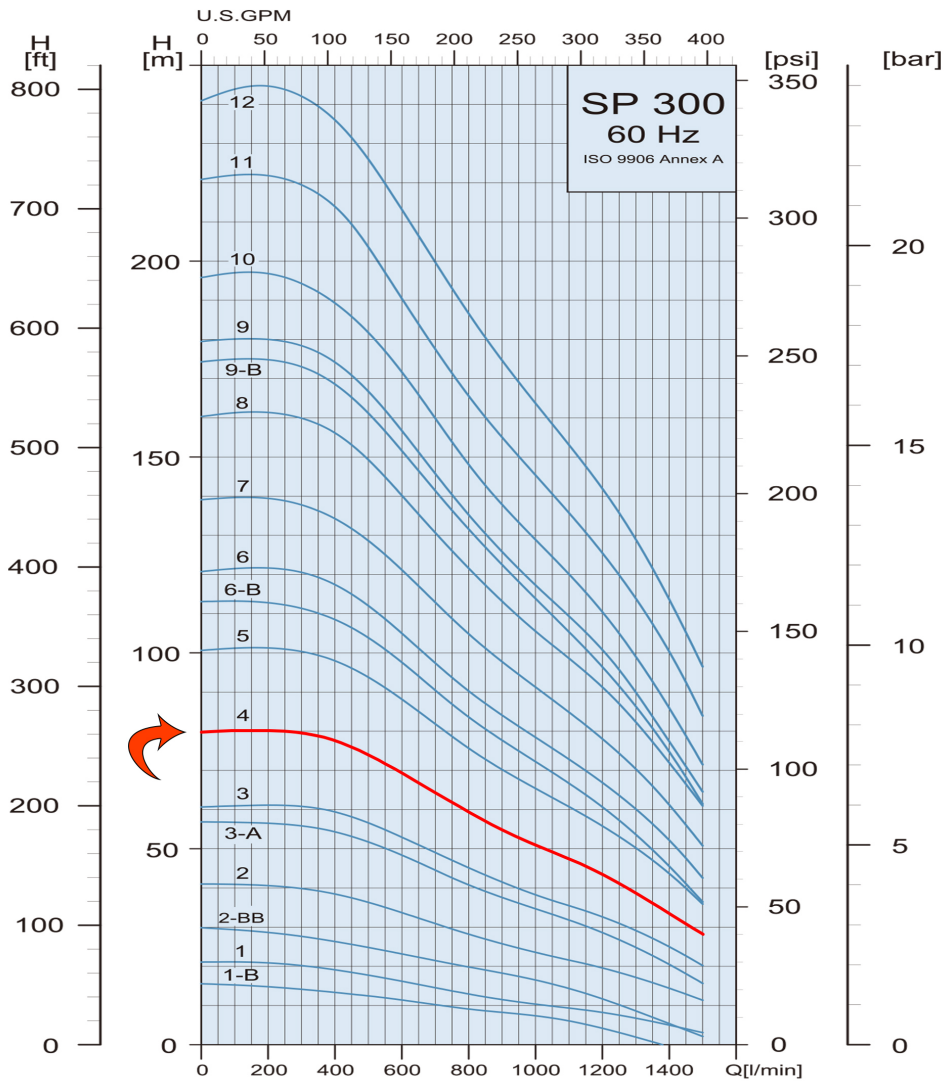
Receiver

From

Company name
Respons. Department
Person in charge
Phone number
Fax no
E-mail address

| | |
|--|--|
| | |
| | |
| | |
| | |
| | |
| | |

| Pump Model | Motor | | Q Capacity 3450RPM | | | | | | | | | | | | | |
|------------|-------|----|--------------------|-------|-------|-------|-------|-------|-------|-------|-------|-------|-------|-------|-------|-------|
| | P2 | | G/Min | 105.7 | 118.9 | 132.1 | 158.5 | 184.9 | 211.3 | 237.8 | 264.2 | 290.6 | 317 | 343.4 | 369.8 | 396.3 |
| | kW | HP | Head in Feet | 252.6 | 249.3 | 242.8 | 226.4 | 213.3 | 193.6 | 180.4 | 167.3 | 154.2 | 144.4 | 128 | 111.5 | 91.9 |
| SP 300-4 | 11 | 15 | | | | | | | | | | | | | | |



| | | | | |
|---------|------------|------------|------------|-------------|
| Project | Project ID | Created by | Created on | Last update |
|---------|------------|------------|------------|-------------|



Part List and Materials Submersible Pump - SP 300-4

Revision no.

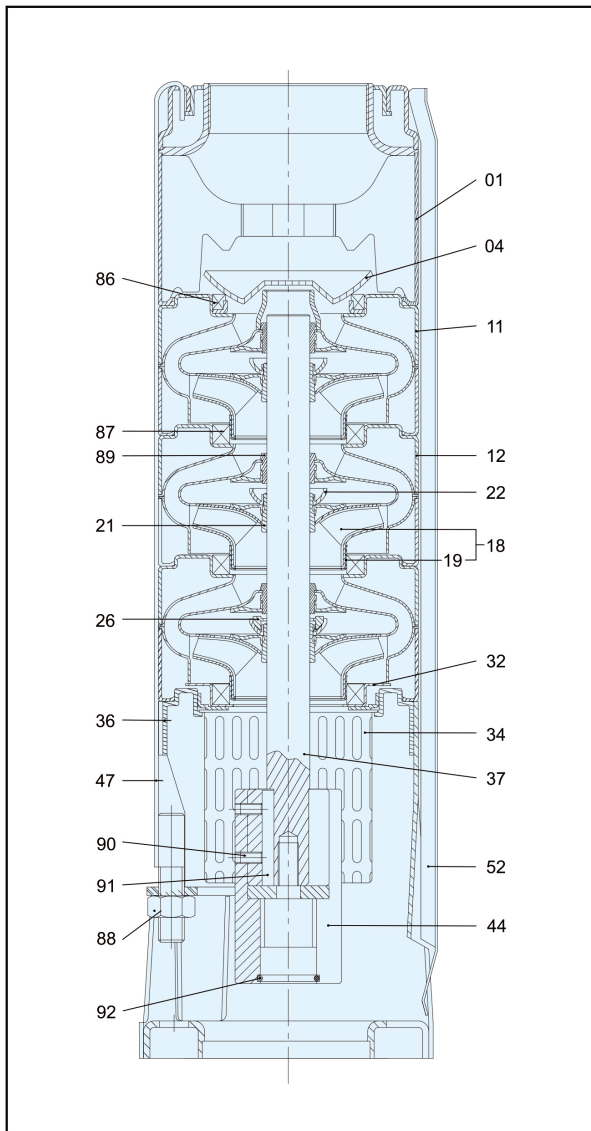
 Page:
3

Receiver

From

 Company name
 Respons. Department
 Person in charge
 Phone number
 Fax no
 E-mail address

| Motor Model | P2 | | S.F | Voltage | Phase | In | Imax | Istart | PF (%) | | Efficiency (%) | | RPM | Thrust N |
|-------------|----------|----|-----|---------|-------|-----|-------|--------|--------|-----|----------------|------|------|-------------|
| | kW | HP | | | | | | | V | PH | A | A | | |
| | 6CN7136D | 11 | | 15 | 1.15 | 230 | Three | 40.2 | 46.1 | 156 | 0.85 | 0.86 | 79.3 | 77.7 |



| Pos. | Part Name | Materials |
|------|------------------------------|--------------------------|
| 01 | Discharge | AISI 316 |
| 04 | Valve Cone | AISI 316 |
| 11 | Top Diffuser | AISI 316 |
| 12 | Diffuser | AISI 316 |
| 18 | Impeller | AISI 316 |
| 19 | Ring of Impeller | AISI 316 |
| 21 | Split Cone | AISI 316 |
| 22 | Split Cone Nut | AISI 316 |
| 26 | Spacing Washer for Stop Ring | Carbon + Graphite + PTFE |
| 23 | Neck Ring Retainer | AISI 316 |
| 34 | Strainer | AISI 316 |
| 36 | Suction Interconnector | AISI 316 |
| 37 | Pump Shaft | AISI 316 |
| 44 | Coupling | AISI 316 |
| 47 | Strap | AISI 316 |
| 52 | Cable Guard | AISI 316 |
| 86 | Valve Seat | AISI 316 + HNBR |
| 87 | Neck Ring Nut | AISI 316 + HNBR |
| 88 | Nut | AISI 316 |
| 89 | Bearing | HNBR |
| 90 | Screw | AISI 316 |
| 91 | Key | AISI 316 |
| 92 | O-ring | HNBR |

Project

Project ID

Created by

Created on

Last update