



Technical Data

Submersible Pump - SP 650-3

Revision no.

Page:
1

Receiver

From

Company name
Respons. Department
Person in charge
Phone number
Fax no
E-mail address

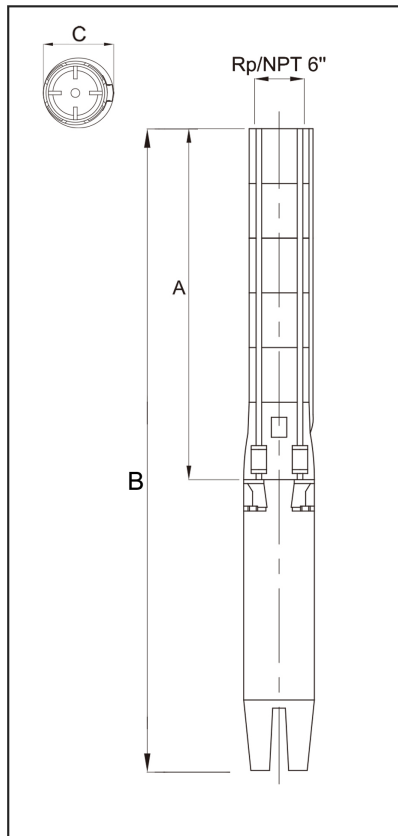


Brand: Gol Pumps
Model: SP 650-3

Weight (lb)		
Pump	Motor	Pump + Motor
103.6	371.8	475.4

Cable	
Length (Ft)	(mm ²)
11.5	(1x10)x3

Dimensions:



Outlet	Motor Dia.	Dimensions (inch)		
		A	B	C
NPT 6"	8"	37.9"	86.3"	8.4"

Project

Project ID

Created by

Created on

Last update



Performance Curves

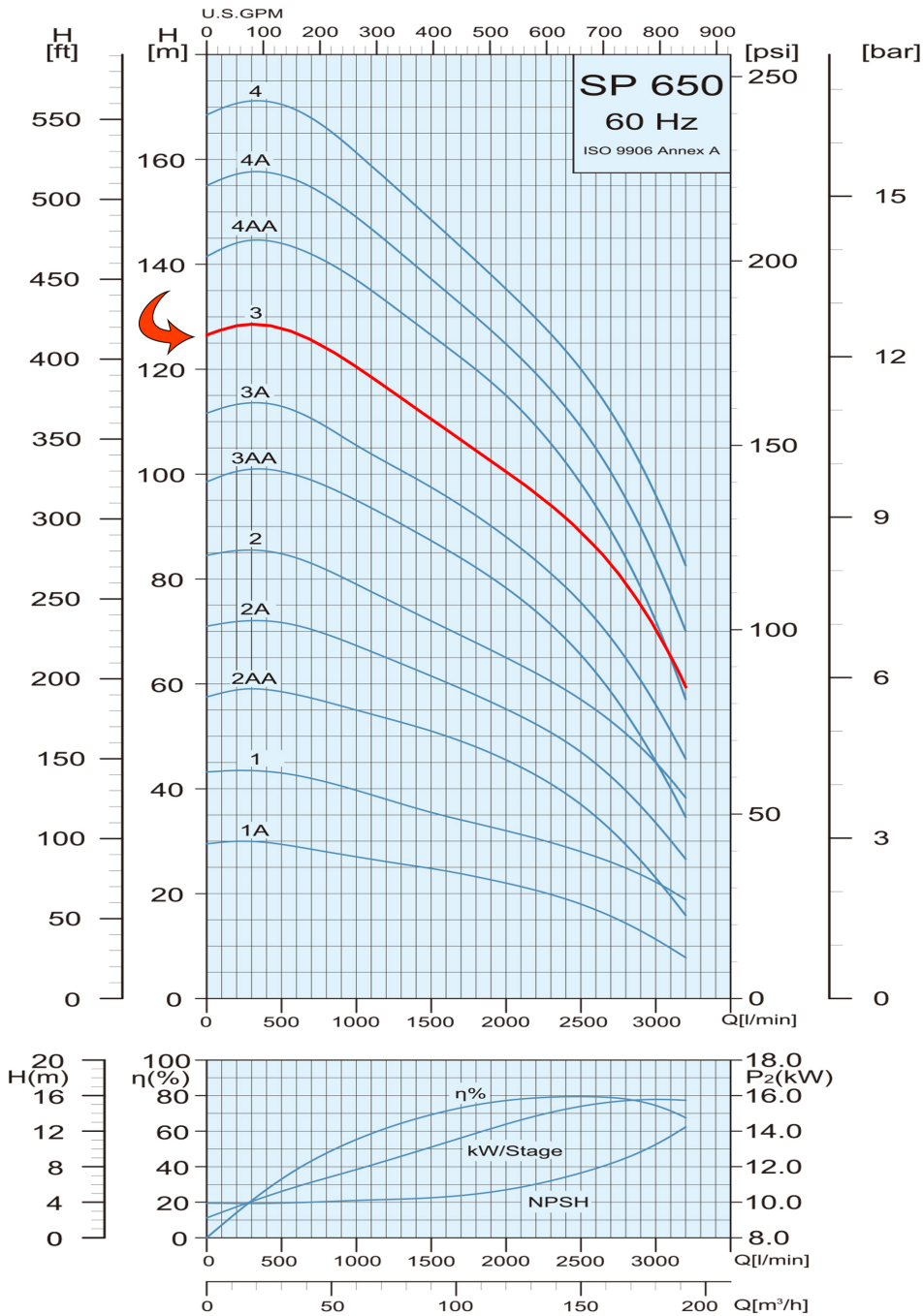
Submersible Pump - SP 650-3

Revision no. _____
Page: 2

Receiver	From

Company name
Respons. Department
Person in charge
Phone number
Fax no
E-mail address

Pump Model	Motor		Q Capacity 3450RPM												
	P2		G/Min	211.3	264.2	317	369.8	422.7	475.5	528.3	581.2	634	686.8	739.7	792.5
	kW	HP	Head in Feet	406.8	397	383.9	370.7	354.3	344.5	331.4	315	301.8	282.2	259.2	232.9
SP 650-3	45	60													



Project	Project ID	Created by	Created on	Last update
---------	------------	------------	------------	-------------



Part List and Materials

Submersible Pump - SP 650-3

Revision no.

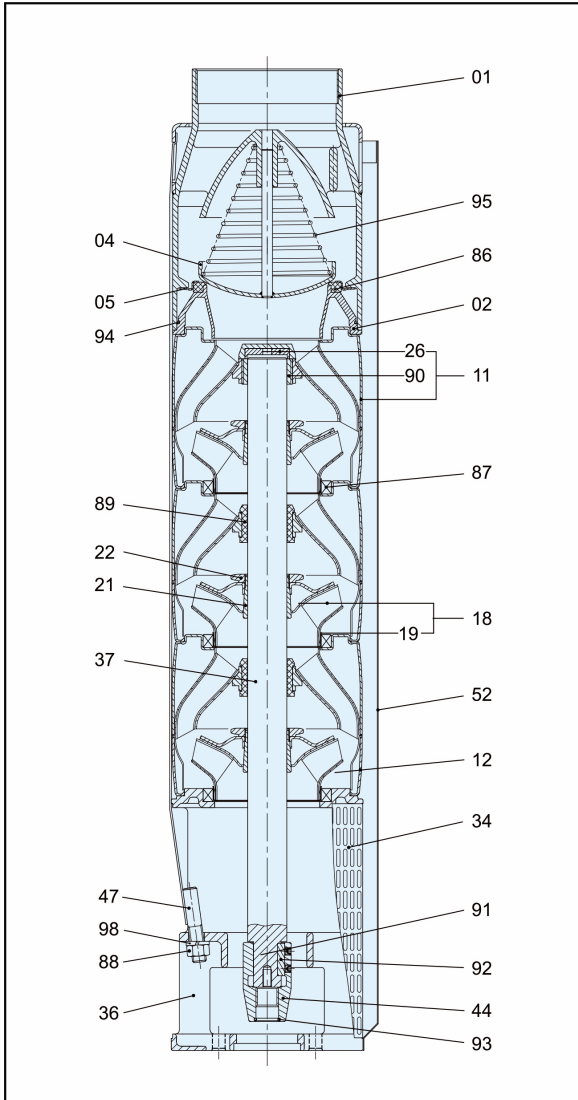
Page:
 3

Receiver

From

Company name
 Respons. Department
 Person in charge
 Phone number
 Fax no
 E-mail address

Motor Model	P _{MAX}		Voltage	Phase	I _N	I _A	η (Eff.) %			cosφ (PF)			RPM	Thrust
	kW	HP	V	PH	A	A	2/4	3/4	4/4	2/4	3/4	4/4		N
8F60	45	60	460	Three	79	316	83.4	86	86	0.71	0.79	0.84	3500	50000



Pos.	Part Name	Materials
01	Discharge	AISI 316
02	Lower Valve Seat Retainer	AISI 316
04	Valve Cup	AISI 316
05	Upper Valve Seat Retainer	AISI 316
11	Upper Diffuser	AISI 316
+26	Spacing Washer for Stop Ring	Carbon Fiber + MoS2 + PTFE
+90	Upper Bearing	AISI 316 + HNBR
12	Diffuser	AISI 316
18	Impeller	AISI 316
18	Impeller-A	AISI 316
+19	Ring Of Impeller	AISI 316
21	Split Cone	AISI 316
22	Split Cone Nut	AISI 316
34	Strainer-one lead	AISI 316
34	Strainer-two leads	AISI 316
36	Suction Interconnector - 6"	AISI 316
36	Suction Interconnector - 8"	AISI 316
37	Shaft	AISI 316
44	Coupling - 6"	AISI 316
44	Coupling - 8"	AISI 316
47	Strap	AISI 316
52	Cable Guard	AISI 316
86	Valve Seat	HNBR70
87	Neck Ring	HNBR
88	Nut	AISI 316
89	Bearing	HNBR70
91	Screw - 6"	AISI 316
91	Screw - 8"	AISI 316
92	Key - 6"	AISI 316
92	Key - 8"	AISI 316
93	O-ring - 6"	HNBR70
93	O-ring - 8"	HNBR70
94	O-ring	HNBR70
95	Spring	AISI 316
98	Spring Washer	AISI 316

Project	Project ID	Created by	Created on	Last update
---------	------------	------------	------------	-------------