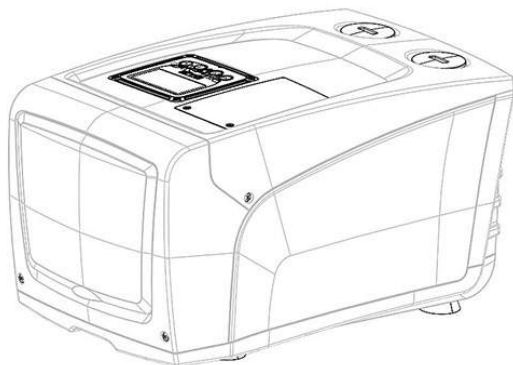
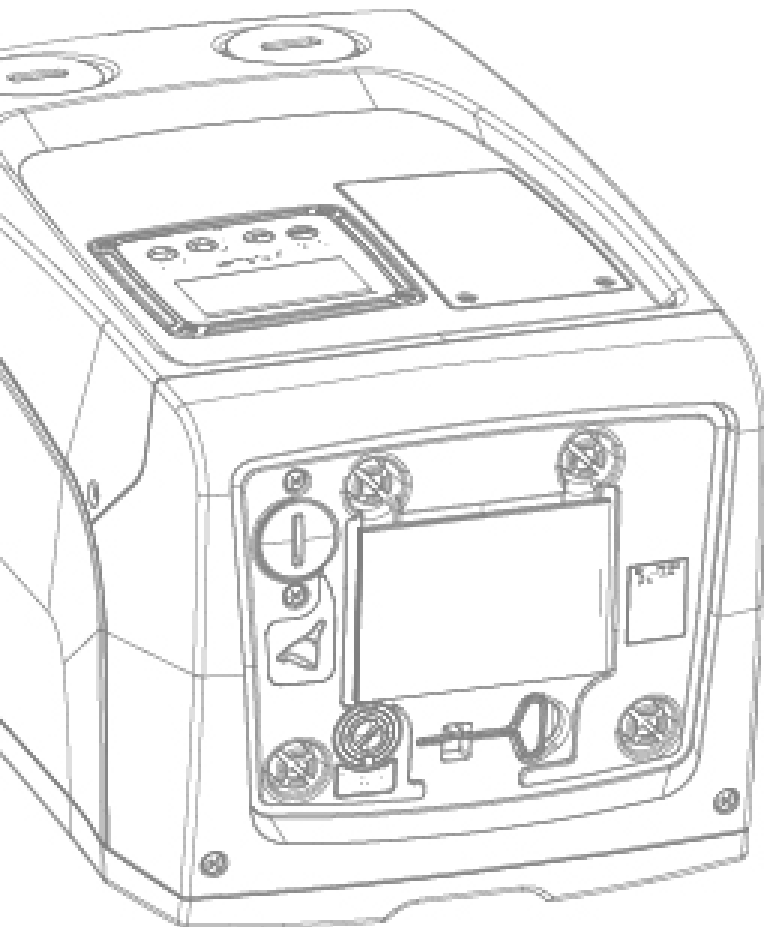


# e.sybox mini<sup>3</sup>

INSTRUCTIONS FOR INSTALLATION AND MAINTENANCE  
INSTRUCTIONS POUR L'INSTALLATION ET L'ENTRETIEN



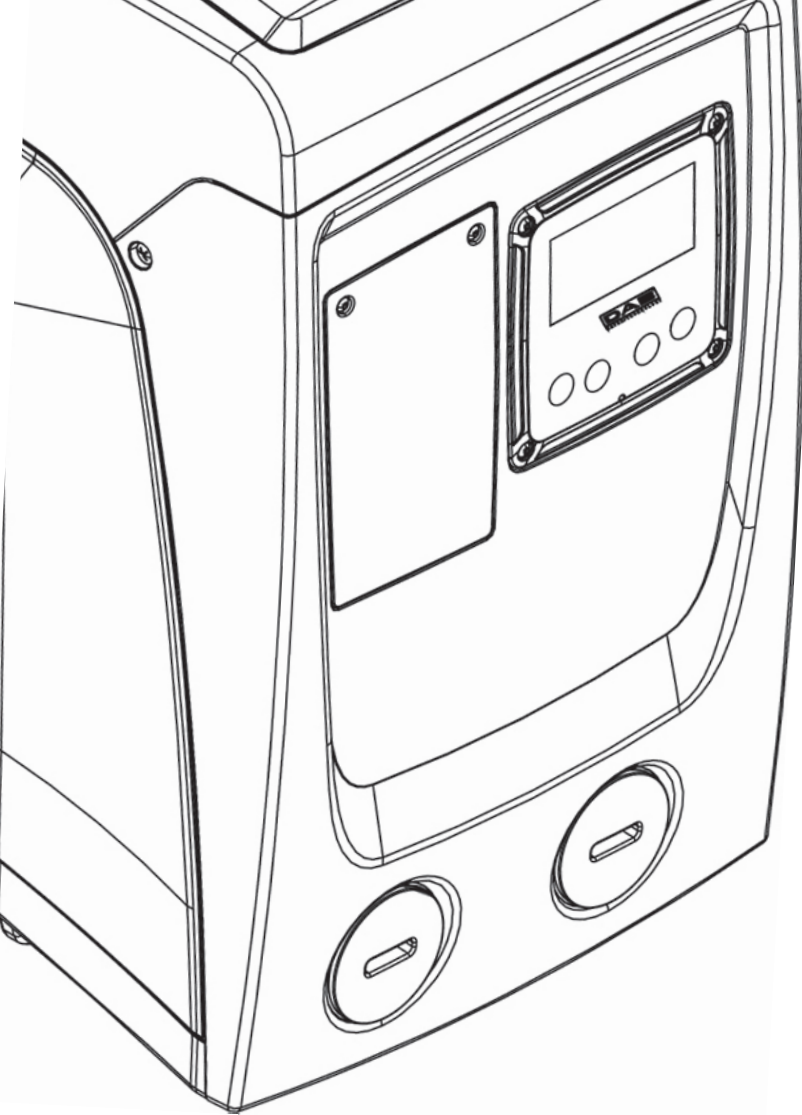


Manual valid for firmware versions 2.x.y-4.x-1.x  
Manuel valide pour les versions micrologiciel 2.x.y-4.x-1.x

**INDEX**

<b>Key</b>	<b>41</b>		
<b>Warnings</b>	<b>41</b>		
<b>Responsibility</b>	<b>42</b>		
<b>1. General</b>	<b>42</b>		
1.1 Description of the Integrated Inverter	43		
1.2 Integrated expansion vessel	43		
1.3 Technical characteristics	44		
<b>2. Installation</b>	<b>45</b>		
2.1 Vertical Configuration	45		
2.1.1 Hydraulic connections	46		
2.1.2 Loading operation – Installation above head and below head	46		
2.2 Horizontal Configuration	47		
2.2.1 Hydraulic connections	47		
2.2.2 Orientation of the interface panel	47		
2.2.3 Loading operation – Installation above head and below head	48		
<b>3. Commissioning</b>	<b>49</b>		
3.1 Electrical connections	49		
3.2 Configuration of the integrated inverter	50		
3.3 Priming	50		
<b>4. The keypad and the display</b>	<b>51</b>		
4.1 Direct access with a combination of keys	52		
4.2 Access by name with a drop-down menu	55		
4.3 Structure of the menu pages	55		
4.4 Blocking parameter setting by Password	56		
4.5 Enabling and disabling the motor	56		
<b>5. Meaning of the individual parameters</b>	<b>57</b>		
5.1 User Menu	57		
5.1.1 Status	57		
5.1.2 RS: Rotation speed display	57		
5.1.3 VP: Pressure display	57		
5.1.4 VF: Flow display	57		
5.1.5 PO: Absorbed power display	57		
5.1.6 C1: Phase current display	57		
5.1.7 SV: Supply voltage	57		
5.1.8 SR: Supply range	57		
5.1.9 TE: Dissipator temperature display	57		
5.1.10 PKm: Pressure measured at suction	57		
5.1.11 Operating hours and number of starts	57		
5.1.12 PI: Power histogram	57		
5.1.13 Output flow meter	58		
5.1.14 VE: Version display	58		
5.1.15 FF: Fault log display	58		
5.2 Monitor Menu	58		
5.2.1 CT: Display contrast	58		
5.2.2 BK: Display brightness	58		
5.2.3 TK: Backlight switch-on time	58		
5.2.4 LA: Language	58		
5.2.5 TE: Dissipator temperature display	58		
5.3 Setpoint Menu	58		
5.3.1 SP: Setting the setpoint pressure	59		
5.4 Manual Menu	59		
5.4.1 Status	59		
5.4.2 RI: Speed setting	59		
5.4.3 VP: Pressure display	59		
5.4.4 VF: Flow display	59		
5.4.5 PO: Absorbed power display	59		
5.4.6 C1: Phase current display	59		
5.4.7 RS: Rotation speed display	59		
5.4.8 SV: Tuppy voltage	60		
5.4.9 SR: Supply range	60		
5.4.10 TE: Dissipator temperature display	60		
5.5 Installer Menu	60		
5.5.1 RP: Setting the pressure fall to restart	60		
5.5.2 OD: Type of plant	60		
5.5.3 MS: Measuring system	60		
5.5.4 AS: Association of devices	61		
5.5.5 EK: Setting the low pressure function on suction	61		
5.5.6 PK: Low pressure threshold on suction	61		
5.5.7 T1: Low pressure delay (function detecting low pressure on suction)	61		
5.6 Technical Assistance Menu	62		
5.6.1 TB: Water lack blockage time	62		
5.6.2 T2: Delay in switching off	62		
5.6.3 GP: Proportional gain coefficient	62		
5.6.4 GI: Integral gain coefficient	62		
5.6.5 RM: Maximum speed	62		
5.6.6 AY: Anti Cycling	62		
5.6.7 AE: Enabling the anti-block function	62		
5.6.8 AF: Enabling the anti-freeze function	62		
5.7 Setting low pressure detection on suction	62		
5.8 RF: Fault and warning reset	63		
5.8.1 PW: Change password	63		
<b>6. Protection systems</b>	<b>63</b>		
6.1 Description of blockages	64		
6.1.1 "BL" Anti Dry-Run (Protection against dry running)	64		

6.1.2 "Anti-Cycling (Protection against continuous cycles without utility request)	64
6.1.3 "Anti-Freeze (Protection against freezing of water in the system)	64
6.1.4 "BP1" Blockage due to fault of the delivery pressure sensor	65
6.1.5 "BP2" Blockage due to fault of the suction pressure sensor	65
6.1.6 "PB" Blockage due to supply voltage outside specifications	65
6.1.7 "SC" Blockage due to short circuit between the motor phases	65
6.2 Manual reset of error conditions	65
6.3 Self-reset of error conditions	65
<b>7. Reset and factory settings</b>	<b>66</b>
7.1 General system reset	66
7.2 Factory settings	66
7.3 Restoring the factory settings	66
<b>8. Particular installations</b>	<b>67</b>
8.1 Inhibiting self-priming	67
8.2 Wall installation	68
<b>9. Maintenance</b>	<b>68</b>
9.1 Accessory tool	68
9.2 Emptying the system	68
9.3 Non-return valve	69
9.4 Motor shaft	69
9.5 Expansion Vessel	70
<b>10. Troubleshooting</b>	<b>70</b>
<b>11. Updating the firmware</b>	<b>72</b>
<b>12. Disposal</b>	<b>72</b>
<b>13. Guarantee</b>	<b>72</b>



**KEY**

The following symbols have been used in the discussion:



**SITUATION OF GENERAL DANGER.** Failure to respect the instructions that follow may cause harm to persons and property.



**SITUATION OF ELECTRIC SHOCK HAZARD.** Failure to respect the instructions that follow may cause a situation of grave risk for personal safety.



**Notes and general information.**

**WARNINGS**

This manual refers to e.sybox mini<sup>3</sup>.



Read this documentation carefully before installation. Installation and operation must comply with the local safety regulations in force in the country in which the product is installed. Everything must be done in a workmanlike manner.

Failure to respect the safety regulations not only causes risk to personal safety and damage to the equipment, but invalidates every right to assistance under guarantee.



The products dealt with in this discussion fall within the type of professional equipment and belong to insulation class 1.

Skilled personnel



The electrical and hydraulic connections may only be carried out by skilled personnel in possession of the technical qualifications required by the safety regulations in force in the country in which the product is installed.

The term skilled personnel means persons whose training, experience and instruction, as well as their knowledge of the respective standards and requirements for accident prevention and working conditions, have been approved by the person in charge of plant safety, authorizing them to perform all the necessary activities, during which they are able to recognize and avoid all dangers. (Definition for technical personnel IEC 364).



It is the responsibility of the installer to make sure that the power supply system is equipped with an efficient grounding system according to the regulations in force.



To improve immunity to possible noise radiating to other equipment, it is advisable to use separate wiring to power the inverter.



The appliance may be used by children over 8 years old and by persons with reduced physical, sensory or mental capacities, or who lack experience or knowledge, on condition that they are under supervision or after they have received instructions concerning the safe use of the appliance and the understanding of the dangers involved. Children must not play with the appliance. Cleaning and maintenance intended to be carried out by the user must not be performed by children without supervision.



Safety

Use is allowed only if the electric system is in possession of safety precautions in accordance with the regulations in force in the country where the product is installed (for Italy CEI 64/2).



Pumped liquids

The machine has been designed and made for pumping water, free from explosive substances and solid particles or fibres, with a density of 1000 Kg/m<sup>3</sup>, a kinematic viscosity of 1mm<sup>2</sup>/s and non chemically aggressive liquids.



The power supply cable must never be used to carry or shift the pump.



Never pull on the cable to detach the plug from the socket.



If the power cable is damaged, it must be replaced by the manufacturer or by their authorised technical assistance service, so as to avoid any risk.

Failure to observe the warnings may create situations of risk for persons or property and will void the product guarantee.

## RESPONSIBILITY



The Manufacturer does not vouch for correct operation of the electropumps or answer for any damage that they may cause if they have been tampered with, modified and/or run outside the recommended work range or in contrast with other indications given in this manual.

The Manufacturer declines all responsibility for possible errors in this instructions manual, if due to misprints or errors in copying. The Manufacturer reserves the right to make any modifications to products that it may consider necessary or useful, without affecting their essential characteristics.

## 1- GENERAL

The product is an integrated system composed mainly of a self-priming multi-stage centrifugal electropump, an electronic circuit that controls it and an expansion vessel. Cooling of the motor with water rather than air ensures less noise in the system and the possibility of locating it even in recesses without ventilation.

### Applications

Water systems supply and pressure boosting domestic use or industrial use. On the outside the product appears as a parallelepiped that presents 6 faces as shown in Fig.1.

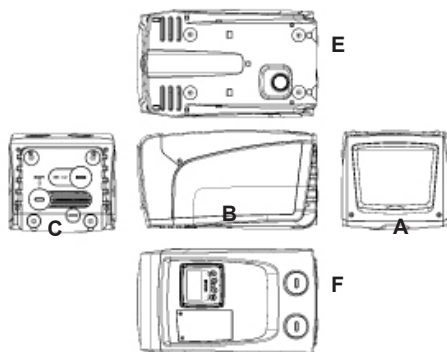


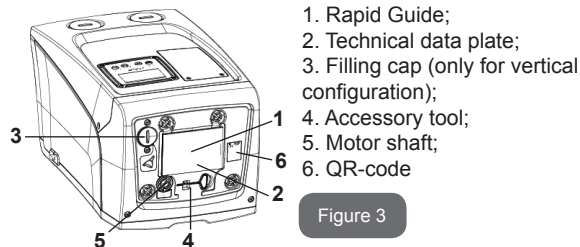
Figure 1

**Face A:** a door allows access to the Technical Compartment.



Figure 2

Inside the technical compartment you can access (see Fig.3):



1. Rapid Guide;
2. Technical data plate;
3. Filling cap (only for vertical configuration);
4. Accessory tool;
5. Motor shaft;
6. QR-code

Figure 3

**Face B:** A rubber cable gland allows the exit of the power cable to be connected to the power mains.

**Face C:** the 4 brass threads form the seat for the 4 support feet in the case of vertical installation. The two 1" screw caps can be removed to make the connections towards the system, depending on the installation configuration you want to adopt. If applicable, connect to the connection marked "IN" the system from which you want to draw water (well, cistern,...) and connect the delivery system to the connection marked "OUT". There is also a ventilation grid. The 3/8" cap allows drainage of the system in the case of horizontal installation. There is also a ventilation grid.

**Face E:** the 4 brass threads form the seat for the 4 support feet in the case of horizontal installation. The main function of the 1" cap is drainage of the system in the case of vertical installation. There are also 2 ventilation grids.

**Face F:** as indicated by the label to be removed, the 1" cap next to the word "IN" on face C has a dual function: in the case of horizontal installation, the outlet that is closed by the cap acts as the system's loading door (see below "loading operations", par. 2.2.3); in the case of vertical installation, the same outlet can act as the input hydraulic connection (exactly like the one marked "IN" on face C and as an alternative to it). The other 1" cap gives access to a second delivery connection that can be used at the same time as or alternatively to the one indicated with "OUT" on face C. The user interface panel is composed of a display and a keyboard and its function is to set the system, query its status and communicate any alarms. The door closed by 2 screws gives access to a special maintenance compartment: cleaning of the non-return valve and resetting of the tank preload pressure.

The system can be installed in 2 different configurations: horizontal (Fig.4) or vertical (Fig.5).

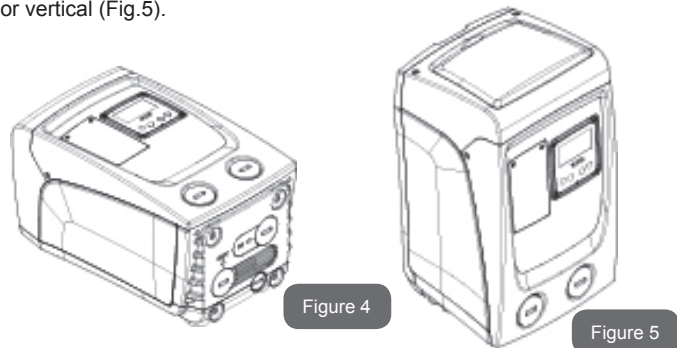


Figure 4

Figure 5

### 1.1 Description of the Integrated Inverter

The electronic control integrated in the system is of the type with inverter and it makes use of flow, pressure and temperature sensors, also integrated in the system.

By means of these sensors the system switches on and off automatically according to the utility's needs and it is able to detect conditions of malfunction, to prevent and indicate them.

The Inverter control ensures different functions, the most important of which, for pumping systems, are the maintaining of a constant pressure value in delivery and energy saving.

- The inverter is able to keep the pressure of a hydraulic circuit constant by varying the rotation speed of the electropump. In operation without an inverter the electropump is unable to modulate and, when there is an increase of the request for flow, the pressure necessarily decreases, or vice versa; this means the pressures are too high at low flow rates or too low when there is an increased request for flow.
- By varying the rotation speed according to the instantaneous request of the utility, the inverter limits the power supplied to the electropump to the minimum necessary to ensure that the request is satisfied. Instead, operation without an inverter contemplates operation of the electropump always and only at maximum power.

For the configuration of the parameters see chapters 4-5.

### 1.2 Integrated Expansion Vessel

The system is complete with an integrated expansion vessel with a total capacity of 1 litres. The main functions of the expansion vessel are:

- to make the system elastic so as to protect it against water hammer;
- to ensure a water reserve which, in the case of small leaks, maintains the pressure in the system for a longer time and spreads out needless restarts of the system which otherwise would be continuous;
- when the utility is turned on, ensure the water pressure for the seconds that the system takes to switch on and reach the correct rotation speed.

It is not a function of the integrated expansion vessel to ensure a water reserve such as to reduce interventions of the system (requests from the utility, not from a leak in the system). It is possible to add an expansion vessel with the capacity you prefer to the system, connecting it to a point on the delivery system (not a suction point!). In the case of horizontal installation it is possible to connect to the unused delivery outlet. When choosing the tank, consider that the quantity of water released will also depend on the parameters SP and RP that can be set on the system (par. 4-5).



The expansion vessel is preloaded with pressurised air through the valve accessible from the special maintenance compartment (Fig.1, Face F).

The preload value with which the expansion vessel is supplied by the manufacturer is in agreement with the parameters SP and RP set as default, and anyway it satisfies the following equation:

Pair = SP – RP – 0.7 bar      Where:  
 - Pair = air pressure value in bar  
 - SP = Set Point (par. 5.3.1) in bar  
 - RP = Reduction of pressure to restart (par. 5.5.1) in bar

So, by the manufacturer:      Pair = 3.0 – 0.3 – 0.7 = 2.0 bar

If different values are set for the parameters SP and/or RP, regulate the valve of the expansion vessel releasing or letting in air until the above equation is satisfied again (e.g.: SP=2.0bar; RP=0.3bar; release air from the expansion vessel until a pressure of 1.0 bar is reached on the valve).



Failure to respect the above equation may lead to malfunctions of the system or to premature breakage of the diaphragm inside the expansion vessel.



Considering the expansion vessel capacity of only 1 litres, any operation to check the air pressure must be performed by connecting the pressure gauge very rapidly: on small volumes the loss of even a limited quantity of air can cause an appreciable drop in pressure. The quality of the expansion vessel ensures the maintenance of the set air pressure value, proceed to check it only at calibration or if you are sure of a malfunction.



Any operation to check and/or reset the air pressure must be performed with the delivery system not under pressure: disconnect the pump from the power supply and open the utility nearest to the pump, keeping it open until it no longer gives any water.



The special structure of the expansion vessel ensures its quantity and duration over time, especially of the diaphragm which is typically the component subject to wear for items of this type. However, in the case of breakage, the entire expansion vessel must be replaced and exclusively by authorised personnel.

### 1.3 Technical characteristics

Topic	Parameter	e.sybox mini <sup>3</sup>		
ELECTRIC POWER SUPPLY	Voltage*	1x220-240 V	1x230 V	1x110-127 V
	Frequency	50/60 Hz		
	Maximum power	850 W		
	Leakage current to earth	<2 mA		
STRUCTURAL CHARACTERISTICS	Overall dimensions	445x262x242 mm without feet support		
	Empty weight (excluding packaging)	14 kg / 30,8 lb		
	Protection class	IP x4		
	Insulation class of the motor	F		
HYDRAULIC PERFORMANCE	Maximum head	55 m / 180 ft		
	Maximum flow rate	80 l/min / 21 U.S. GPM		
	Priming	<5min at 8m / 26 ft		
	Maximum working pressure	7.5 bar / 109 psi		
WORKING CONDITIONS	Max liquid temperature	40 °C / 104 °F		
	Max environment temperature	50 °C / 122 °F		
	Environment temperature of storage	-10+60 °C / 14+140 °F		

FUNCTIONALITY AND PROTECTIONS	Constant pressure
	Protection against dry running
	Antifreeze protection
	Anticycling protection
	Motor overload protection
	Protection against abnormal supply voltages
	Protection against excess temperature
*: refer to the technical plate on the pump	

## 2- INSTALLATION



The system is designed for indoor use: do not install the system outdoors and/or directly exposed to atmospheric agents.



The system is designed to be able to work in environments where the temperature remains between 1°C and 50°C (on condition that the electric power supply is ensured: see par. 5.6.8 “anti-freeze function”).



The system is suitable for treating drinking water.



The system cannot be used to pump salt water, sewage, inflammable, corrosive or explosive liquids (e.g. petroleum, petrol, thinners), greases, oils or food products.



The system can suck up water with a level that does not exceed the depth of 8 m (the height between the water level and the pump suction mouth).



If the system is used for the domestic water supply, respect the local regulations of the authorities responsible for the management of water resources.



When choosing the installation site, check that:

- The voltage and frequency on the pump's technical data plate correspond to the values of the power supply system.

- The electrical connection is made in a dry place, far from any possible flooding.
- The earth system must comply with the regulations.

If you are not sure of the absence of foreign bodies in the water to be pumped, install a filter on the system intake that is suitable for catching impurities.



The installation of a filter on intake causes a decrease of the system's hydraulic performance proportional to the loss of load caused by the filter itself (generally the greater the filtering power, the greater the fall in performance).

Choose the type of configuration you intend to use (vertical or horizontal) considering the connections to the system, the position of the user interface panel, and the spaces available according to the indications below. Wall installation is possible, see par. 8.2.

### 2.1 - Vertical Configuration

Screw the 4 rubber feet supplied loose in the package into the brass seats in face C. Put the system in place, taking into account the dimensions in Fig.6.

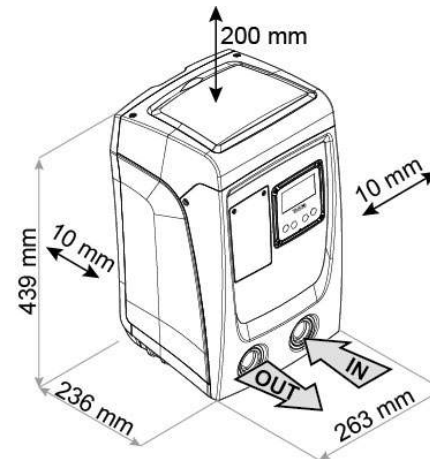


Figure 6

- The distance of at least 10mm between Face E of the system and any wall is obligatory to ensure ventilation through the grids provided • If you expect to have to drain the system from its discharge door and not from the system, leave a further distance sufficient to manoeuvre the drainage cap.
- The distance of at least 10mm between Face B of the system and an obstruction is obligatory to let out the power supply cable to the mains socket.
- The distance of at least 200mm between Face A of the system and an obstruction is recommended so as to be able to remove the door and gain access to the technical compartment.

If the surface is not flat, unscrew the foot that is not touching and adjust its height until it contacts the surface so as to ensure the stability of the system. The system must in fact be placed in a safe and stable position, ensuring that its axis is vertical: it must not be in an inclined position.

### 2.1.1 Hydraulic connections

Make the connection at input to the system through the mouth on Face F marked "IN" in Fig.6 (suction connection). Then remove the cap using a screwdriver. Make the connection at output from the system through the mouth on Face F marked "OUT" in Fig.6 (delivery connection). Then remove the cap using a screwdriver.

All the hydraulic connections of the system to the plant to which it can be connected are of the threaded female type 1" GAS, made of brass.



If you intend to connect the product to the plant with fittings that have a diameter larger than the normal 1" pipe (for example the ring nut in the case of fittings in 3 pieces), make sure that the 1" Gas male thread of the coupling protrudes at least 25mm from the above diameter (see Fig.7).



Figure 7



The brass threads are housed in technopolymer seats. When making the connection watertight by adding material (e.g. Teflon, hemp,...) ensure that the gasket is not too thick: under the action of an adequate tightening torque (e.g. long handled pipe wrench), the excess material could exert abnormal force on the technopolymer seat, damaging it irretrievably.

With reference to its position with respect to the water to be pumped, the installation of the system may be defined "above head" or "below head". In particular the installation is defined "above head" when the pump is placed at a level higher than the water to be pumped (e.g. pump on the surface and water in a well); vice versa it is "below head" when the pump is placed at a level lower than the water to be pumped (e.g. overhead cistern and pump below).



If the vertical installation of the system is of the "over head" type, it is recommended to fit a non-return valve in the suction section of the system; this is to allow the operation of loading the system (par. 2.1.2).



If the installation is of the "over head" type, install the suction pipe from the water source to the pump in such a way as to avoid the formation of goosenecks or siphons. Do not place the suction pipe above the pump level (to avoid the formation of air bubbles in the suction pipe). The suction pipe must draw at its entrance at a depth of at least 30cm below the water level and must be watertight along its whole length, as far as the entrance to the electropump.



The suction and delivery pipes must be fitted so that they do not exert any mechanical pressure on the pump.

### 2.1.2. Loading Operation Installation above head and below head

Installation "above head" (par. 2.1.1): access the technical compartment and, using a screwdriver, remove the filling cap (Fig.3\_point 6). Fill the system with clean water through the loading door, taking care to let the air out. If the non-return valve on the suction pipe (recommended in paragraph

2.1.1) has been placed close to the system entry door, the quantity of water with which to fill the system should be 0,9 litres. It is recommended to fit the non-return valve at the end of the suction pipe (foot valve) so as to be able to fill it quickly too during the loading operation. In this case the quantity of water necessary for the loading operation will depend on the length of the suction pipe (0,9 litres + ...).

Installation "below head" (par. 2.1.1): if there are no check valves between the water deposit and the system (or if they are open), it loads automatically as soon as it is allowed to let out the trapped air. So slackening the filling cap (Fig.3\_point 6) enough to vent the trapped air allows the system to load completely. You must survey the operation and close the loading door as soon as the water comes out (however it is recommended to fit a check valve in the section of the suction pipe and to use it to control the loading operation with the cap open). Alternatively, in the case where the suction pipe is intercepted by a closed valve, the loading operation may be carried out in a similar way to the one described for installation over head.

## 2.2 - Horizontal Configuration

Screw the 4 rubber feet supplied loose in the package into the brass seats in face E. Put the system in place, taking into account the dimensions in Fig.8.

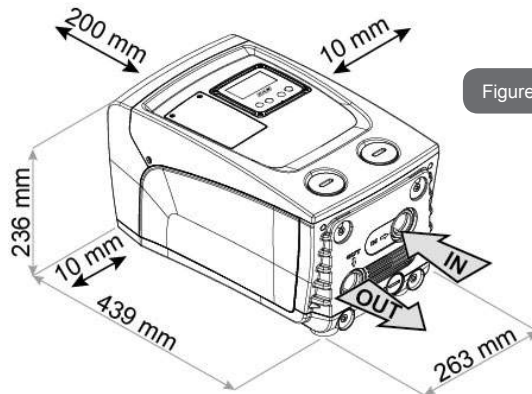


Figure 8

- The distance of at least 10mm between Face B of the system and an obstruction is obligatory to let out the power supply cable to the mains socket.
- The distance of at least 200mm between Face A of the system and an obstruction is recommended so as to be able to remove the door and gain access to the technical compartment.

If the surface is not flat, unscrew the foot that is not touching and adjust its height until it contacts the surface so as to ensure the stability of the system. The system must in fact be placed in a safe and stable position, ensuring that its axis is vertical: it must not be in an inclined position.

### 2.2.1 Hydraulic connections

Make the connection at input to the system through the mouth on Face C marked "IN" in Fig. 8 (suction connection). Then remove the cap using a screwdriver. Make the connection at output from the system through the mouth on Face C marked "OUT 1" in Fig. 8 and/or through the mouth on Face F marked "OUT 2" in Fig. 8 (delivery connection).

In this configuration either of the 2 mouths can be used as an alternative to the other (depending on the convenience of the installation), or simultaneously (dual delivery system). Then remove the cap(s) from the door(s) you intend to use with a screwdriver.

All the hydraulic connections of the system to the plant to which it can be connected are of the threaded female type 1" GAS, made of brass.



See WARNING for Figure 7.

### 2.2.2 Orientation of the Interface Panel

The Interface Panel has been designed so that it can be oriented in the direction where it is most convenient for the user to read: its square shape allows it to be rotated from 90° to 90° (Fig.9).

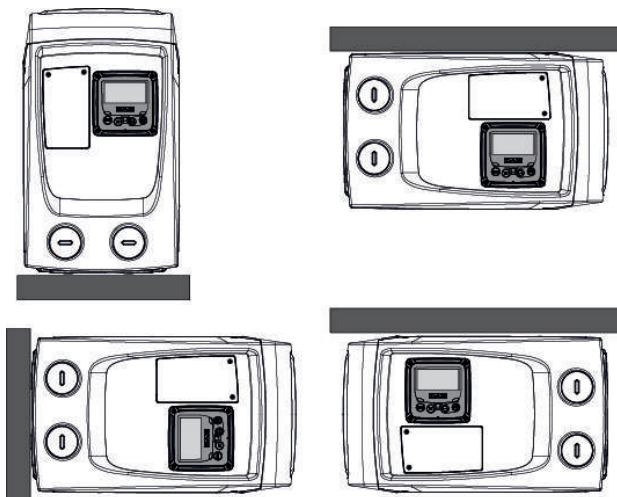


Figure 9

- Disengage the 4 screws at the corners of the panel using the accessory tool.
- Do not remove the screws completely, just disengage them from the thread on the product body.
- Be careful not to drop the screws into the system.
- Move the panel away, taking care not to pull on the signal transmission cable.
- Reposition the panel in its seat at the preferred angle taking care not to pinch the cable.
- Tighten the 4 screws with the wrench.

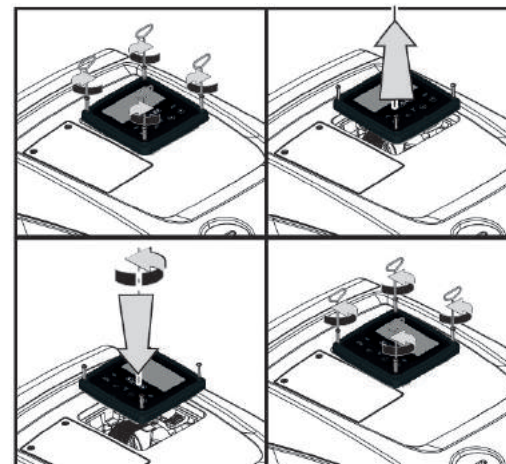


Figure 10

### 2.2.3 Loading Operation Installation "above head and below head"

With reference to its position with respect to the water to be pumped, the installation of the system may be defined "above head" or "below head". In particular the installation is defined "above head" when the pump is placed at a level higher than the water to be pumped (e.g. pump on the surface and water in a well); vice versa it is "below head" when the pump is placed at a level lower than the water to be pumped (e.g. overhead cistern and pump below).

Installation "above head": with a screwdriver, remove the filling cap which, for the horizontal configuration, is the one on Face F (Fig.1). Fill the system with clean water through the loading door, taking care to let the air out: to ensure optimum filling it is convenient to open also the loading door on Face A (Fig.1), used for filling in the vertical configuration, so as to let all the air out, which otherwise could remain trapped in the system; take care to close the openings correctly once the operation is completed. The quantity of water with which to fill the system must be at least 0,7 litri almeno. litres. It is recommended to fit a non-return valve at the end of the suction pipe (foot valve) so

as to be able to fill it quickly too during the loading operation. In this case the quantity of water necessary for the loading operation will depend on the length of the suction pipe (0,7 litres + ...).

Installation "below head": if there are no check valves between the water deposit and the system (or if they are open), it loads automatically as soon as it is allowed to let out the trapped air. So slackening the filling cap (Face F - Fig. 1) enough to vent the air allows the system to load completely. You must survey the operation and close the loading door as soon as the water comes out (however it is recommended to fit a check valve in the section of the suction pipe and to use it to control the loading operation with the cap loose). Alternatively, in the case where the suction pipe is intercepted by a closed valve, the loading operation may be carried out in a similar way to the one described for installation over head.

### 3 - COMMISSIONING



The suction depth must not exceed 8 m.

#### 3.1 - Electrical Connections

To improve immunity to the possible noise radiated towards other appliances it is recommended to use a separate electrical duct to supply the product.



The line voltage may change when the electropump is started. The line voltage may undergo variations depending on other devices connected to it and on the quality of the line.



It is recommended to carry out installation as indicated in the manual, in compliance with the laws, directives and standards in force in the place of use and depending on the application. The product contains an inverter inside which there are continuous voltages and currents with high-frequency components (see table 0).

Type of possible fault currents to earth				
	Alternating	Unipolar pulsed	Direct	With high-frequency components
Inverter with single-phase power supply	X	X		X

Table 0

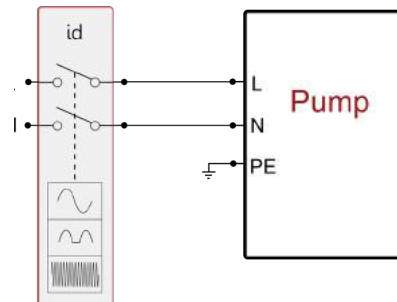


Figure 11 - bis Installation example

The thermal magnetic circuit breaker must be correctly sized (see Electrical Characteristics).

For pumps not supplied with a plug, the correspondence of the colours of the leads is as indicated in table 0bis:

Connection	Type A	Type B
Phase	Brown	Brown
Neutral	Blue	Blue
Earth (EP)	Yellow/Green	Green

Type A: European markets or similar.  
Type B: American and Canadian markets or similar.

Table 0 bis

The appliance must be connected to a main switch that cuts off all the power supply poles. When the switch is in off position, the distance separating each contact must respect the indications in table 0tris.

Minimum distance between the contacts of the power switch		
Power supply [V]	≤127	>127 e ≤240
Minimum distance [mm]	>1,7	>3

Table 0 tris

### 3.2 Configuration of the Integrated Inverter

The system is configured by the manufacturer to satisfy most installation cases operating at constant pressure. The main parameters set in the factory are:

- Set-Point (desired value of constant pressure); SP = 2.7 bar / 39 psi.
- Reduction of pressure to restart RP = 0.3 bar / 4.3 psi.
- Anti-cycling function: Disabled.

However, these parameters and others can be set by the user according to the system. See par. 5-6-7 for the specifications.



For the definition of the parameters SP and RP, the pressure at which the system starts has the value:

**Pstart = SP – RP** For example: 2.7 – 0.3 = 2.4 bar in the default configuration

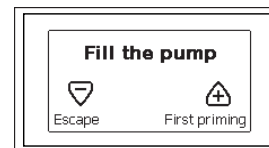
The system does not work if the utility is at a height higher than the equivalent in metres of water column of the Pstart (consider 1 bar = 10 m water column): for the default configuration, if the utility is at a height of at least 27m the system does not start.

### 3.3 - Priming

The priming of a pump is the phase during which the machine attempts to fill the body and the suction pipe with water. If the operation is successful the machine can work regularly.

Once the pump has been filled (par. 2.1.2, 2.2.3) and the device has been configured (par. 3.2), it is possible to connect the electric power supply after having opened at least one utility on delivery for the first 10 seconds. If a flow of water is detected in delivery, the pump is primed and starts its regular work. This is the typical case of installation below head (par. 2.1.2, 2.2.3). The utility opened in delivery from which the pumped water is coming out can be closed.

If a regular flow in delivery is not detected after 10 seconds, the system asks for confirmation to enter the priming procedure (typical case of installation above head pa 2.1.2, 2.2.3). Or:



When “+” is pressed the pump enters the priming procedure: it starts working for a maximum time of 5 minutes during which the safety block for dry operation is not tripped. The priming time depends on various parameters, the most influential of which are the depth of the water level from which it is drawing, the diameter of the suction pipe, the water-tightness of the suction pipe. On condition that a suction pipe is used that is no smaller than 1” and that it is well sealed (with no holes or joins from which it can take in air), the product has been studied to manage to prime in water conditions up to 8m

in depth in a time of less than 5 minutes. As soon as the product detects a regular flow in delivery, it leaves the priming procedure and starts its regular work. The utility opened in delivery from which the pumped water is coming out can be closed. If after 5 minutes of the procedure the product is still not primed, the interface display sends a failure message. Disconnect the power supply, load the product adding new water, wait 10 minutes and repeat the procedure from the moment you put the plug in the socket. Press “-” to confirm that you do not want to start the priming procedure. The product remains in alarm status

#### Operation

Once the electropump is primed, the system starts regular operation according to the configured parameters: it starts automatically when the tap is turned on, supplies water at the set pressure (SP), keeps the pressure constant even when other taps are turned on, stops automatically after time T2 once the switching off conditions are reached (T2 can be set by the user, factory value 10 sec).

#### 4 - THE KEYPAD AND THE DISPLAY



Figure 12: Aspect of the user interface

The user interface is composed of a keypad with 128x240 pixel LCD display and with POWER, COMM, ALARM warning leds as can be seen in Figure 12.

The display shows the values and the statuses of the device, with indications on the functionality of the various parameters.

The functions of the keys are summed up in Table 1.

	The MODE key allows you to move on to the next items in the same menu. Holding it down for at least 1 sec allows you to skip to previous menu item.
	The SET key allows you to leave the current menu.
	Decreases the current parameter (if it is an editable parameter).
	Increases the current parameter (if it is an editable parameter).

Table 1: Key functions

Holding down the “+” key or the “-” key allows the automatic increase/decrease of the parameter selected. After the “+” key or the “-” key has been held down for 3 seconds, the automatic increase/decrease speed increases.





When the + key or the - key is pressed the selected value is modified and saved immediately in the permanent memory (EE-prom). If the machine is switched off, even accidentally, in this phase it does not cause the loss of the parameter that has just been set.

The SET key is only for leaving the current menu and is not necessary for saving the changes made. Only in particular cases described in the following paragraphs are some values updated by pressing "SET" or "MODE".

#### Warning leds

- Power  
White led. Lit with a fixed light when the machine is powered. Blinking when the machine is disabled.
- Alarm  
Red led. Lit with a fixed light when the machine is blocked by an error.

#### Menus

The complete structure of all the menus and of all the items of which they are composed is shown in Table 3.

#### Access to the menus

The various menus can be accessed from the main menu in two ways:

- 1 - Direct access with a combination of keys.
- 2 - Access by name with a drop-down menu.








#### 4.1 Direct Access with a Combination of Keys

The desired menu can be accessed directly by pressing simultaneously the appropriate combination of keys for the required time (for example MODE SET to enter the Setpoint menu) and the various items in the menu are scrolled with the MODE key.

Table 2 shows the menus that can be reached with the combinations of keys.



MENU NAME	DIRECT ACCESS KEYS	HOLD-DOWN TIME
User	MODE	On releasing the button
Monitor	SET ↓	2 Sec
Setpoint	MODE SET	2 Sec
Manual	SET ↓ ↑	5 Sec
Installer	MODE SET ↓	5 Sec
Technical assistance	MODE SET ↑	5 Sec
Reset factory values	SET ↑	2 sec after switching on appliance
Reset	MODE SET ↓ ↑	2 Sec

Table 2: Access to the menus

<i>Reduced menu (visible)</i>			<i>Extended menu (direct access or password)</i>			
Main Menu	User Menu mode	Monitor Menu set-minus	Setpoint Menu mode-set	Manual Menu set-minus-plus	Installer Menu mode-set-minus	Tech. Assist. Menu mode-set-plus
<b>MAIN</b> (Main Page)	<b>STATUS</b> <b>RS</b> Revs per minute	<b>CT</b> Contrast	<b>SP</b> Setpoint pressure	<b>STATUS</b> <b>RI</b> Speed setting	<b>RP</b> Decrease pressure for restart	<b>TB</b> Block time for water lack.
Menu Selection	<b>VP</b> Pressure	<b>BK</b> Back lighting		<b>VP</b> Pressure	<b>OD</b> Type of plant	<b>T2</b> Delay in switching off
	<b>VF</b> Display of flow	<b>TK</b> Backlighting switch-on time		<b>VF</b> Display of flow	<b>MS</b> Measuring system	<b>GP</b> Proportional gain.
	<b>PO</b> Power absorbed by pump	<b>LA</b> Language		<b>PO</b> Power absorbed by pump	<b>AS</b> Wireless Devices	<b>GI</b> Integral gain
	<b>C1</b> Pump phase current	<b>TE</b> Dissipator temperature		<b>C1</b> Pump phase current	<b>EK</b>  Enabling low pressure function on suction	<b>RM</b> Maximum speed
	<b>SV</b>  Supply voltage			<b>RS</b> Revs per minute	<b>PK</b>  Low pressure threshold on suction	<b>AY</b> Anti Cycling
	<b>SR</b>  Supply range			<b>TE</b> Dissipator temperature	<b>T1</b>  Low pr. delay	<b>AE</b> Anti-blocking
	<b>TE</b> Dissipator temperature			<b>SV</b>  Supply voltage		
	<b>PKm</b> Pressure measured at intake			<b>SR</b>  Supply range		
	Hours switched on Working hours Number of starts					<b>AF</b> AntiFreeze

	<b>PI</b> Power histogram						<b>RF</b> Reset faults and warnings
	Output flow meter						<b>PW</b> Modify Password
	<b>VE</b> Information HW e SW						
	<b>FF</b> Fault & Warning (Log)						

Table 3: Menu structure

Key	
	Parameters available in version K.
	Parameters available only in version DV

## 4.2 - Access by name with a drop-down menu

The selection of the various menus is accessed by name. From the main menu you access menu selection by pressing either of the + or – keys.

The names of the menus that can be accessed appear on the menu selection page and one of the menus is highlighted by a bar (see Figure 13-14). Shift the highlighting bar using the + and – keys to select the menu you want and enter it by pressing MODE.

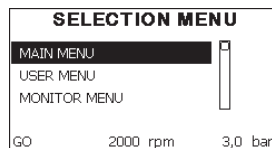


Figure 13: Selection of the drop-down menus

The items available are MAIN, USER, MONITOR, followed by a fourth item, EXTENDED MENU; this item allows the number of menus displayed to be extended. When EXTENDED MENU is selected a pop-up appears asking you to type in an access key (PASSWORD). The access key (PASSWORD) coincides with the combination of keys used for direct access (as in Table 8) and allows the extended display of the menus from the menu corresponding to the access key to all those with a lower priority. The order of the menus is: User, Manual Setpoint, Manual, Installer, Technical Assistance.

When an access key is selected, the menus released remain available for 15 minutes or until they are disabled manually by means of the item “Hide forward menus” which appears on the menu selection when using an access key.

Figure 14 shows an operating diagram for selecting the menus.

The menus are in the centre of the page, from the right you reach them by means of direct selection with a combination of keys, while from the left you reach them by means of the selection system with drop-down menu.

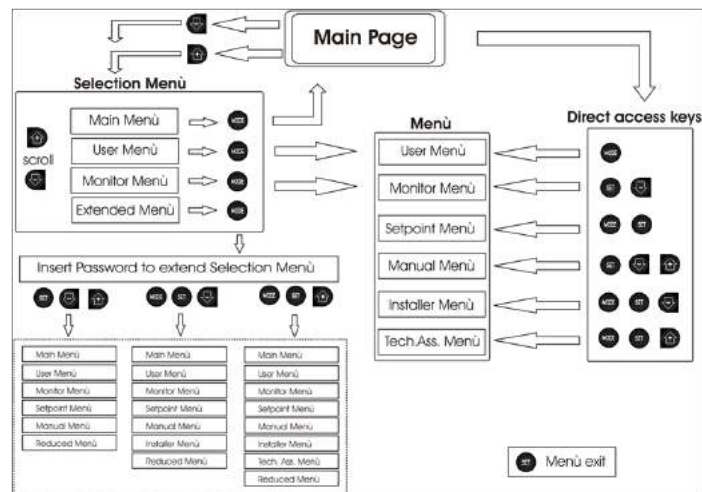


Figure 14: Diagram of possible menu accesses

## 4.3 - Structure of the menu pages

When switched on, some presentation pages are displayed showing the name of the product and the logo, after which the main menu appears. The name of each menu, whichever it may be, is always at the top of the display.

The following always appear on the main page

Status: operating status (e.g. standby, go, Fault)

Revs per minute: value in [rpm]

Pressure: value in [bar] or [psi] depending on the set unit of measure.

Power: value in [kW] of the power absorbed by the device.

If the case occurs the following may appear:

Fault indications

Warning indications

Specific icons

The error conditions are indicated in Table 8. The other displays are indicated in Table 4.

Error and status conditions displayed	
Identifying code	Description
GO	Motor running
SB	Motor stopped
DIS	Motor status manually disabled
F4	Low suction pressure signal function status / alarm
EE	Writing and reading the factory settings on EEPROM
WARN. Low voltage	Warning due to lack of supply voltage

Table 4: Status and error messages on the main page

The other menu pages vary with the associated functions and are described later by type of indication or setting. Once you have entered any menu, the bottom of the page always shows a summary of the main operating parameters (running status or any fault, current speed and pressure). This allows a constant view of the machine's fundamental parameters.

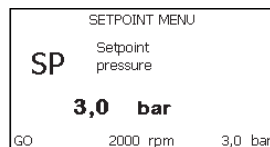


Figure 15: Display of a menu parameter

Indications on the status bar at the bottom of each page	
Identifying code	Description
GO	Motor stopped
SB	Motor stopped
Disable	Motor status manually disabled
rpm	Motor revs per minute
bar	Plant pressure
FAULT	Presence of an error preventing operation of the electropump

Table 5: Indications on the status bar

The following may appear on the pages that show parameters: numerical values and units of measure of the current item, values of other parameters linked to the setting of the current item, graphic bar, lists; see Figure 15.

#### 4.4 - Blocking parameter setting by Password

The device has a password-enabled protection system. If a password is set, the parameters of the device will be accessible and visible but it will not be possible to change them.

The password management system is in the “technical assistance” menu and is managed by means of the parameter PW.

#### 4.5 - Enabling and disabling the motor

In normal operating conditions, pressing and then releasing both the “+” and “-” keys causes the blocking/release of the motor (self-holding even after switching off). If there is a fault alarm, the operation described above resets the alarm.

When the motor is disabled this status is shown by the blinking white LED. This command can be activated from any menu page except RF and PW.

## 5 - MEANING OF THE INDIVIDUAL PARAMETERS



The inverter makes the system work at constant pressure. This regulation is appreciated if the hydraulic plant downstream from the system is suitably sized. Plants made with pipes with too small a section introduce load losses that the equipment cannot compensate; the result is that the pressure is constant on the sensors but not on the utility.



Plants that are excessively deformable can create the onset of oscillations; if this occurs, the problem can be solved by adjusting the control parameters "GP" and "GI" (see par 5.6.3 - GP: Proportional gain coefficient and 5.6.4 - GI: Integral gain coefficient)

### 5.1 - User Menu

From the main menu, pressing the MODE key (or using the selection menu and pressing + o -), gives access to the USER MENU. In the menu the MODE key allows you to scroll through the various menu pages. The values shown are the following.

#### 5.1.1 - Status:

Displays the pump status.

#### 5.1.2 - RS: Rotation speed display

Motor rotation speed in rpm..

#### 5.1.3 - VP: Pressure display

Plant pressure measured in [bar] or [psi] depending on the measuring system used.

#### 5.1.4 - VF: Flow display

Displays the instantaneous flow in [litres/min] or [gal/min] depending on the set measuring system.

#### 5.1.5 - PO: Absorbed power display

Power absorbed by the electropump in [kW].

If the maximum allowed power is exceeded, the identification PO blinks.

#### 5.1.6 - C1: Phase current display

Motor phase current in [A].

If the maximum allowed current is exceeded, the identification C1 blinks, indicating an imminent tripping of the overload protection.

#### 5.1.7 - SV: Supply voltage

Present only in some models.

#### 5.1.8 - SR: Supply range

Present only in some models.

Indicates the range of supply voltage found. It may have the values: [110-127] V or [220-240] V. If the range is not determined, it has the value "- -".

#### 5.1.9 - TE: Dissipator temperature display

#### 5.1.10- PKm: Pressure measured at suction

Present only in models with Kiwa function

#### 5.1.11 - Operating hours and number of starts

Indicates on three lines the hours that the device has been powered up, the pump working hours and the number of starts of the motor.

#### 5.1.12 - PI: Power histogram

A histogram of the power delivered is displayed on 5 vertical bars. The histogram indicates how long the pump has been on at a given power level. On the horizontal axis are the bars at the various power levels; on the vertical axis, the time for which the pump has been on at the specific power level (% of the time with respect to the total).

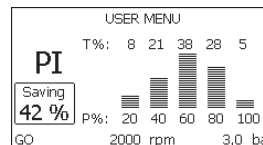


Figure 16: Power histogram display

### 5.1.13 - Output flow meter

The page shows two flow meters. The first shows the total output flow delivered by the machine. The second shows a partial count and can be reset by the user. The partial count can be reset from this page, by holding down the “ - “ button for 2 sec.

### 5.1.14 - VE: Version display

Hardware and software version with which the appliance is equipped.

Hardware and software 2.7.0 and later, the following also applies: on this page after the prefix S: the last 5 figures of the single serial number attributed for connectivity are showed. The whole serial number can be viewed by pressing the “+” key.”

### 5.1.15- FF: Fault log display

Chronological display of the faults that have occurred during system operation.

Under the symbol FF appear two numbers x/y indicating respectively the ault displayed and the total number of faults present; to the right of these numbers is an indication of the type of fault displayed.

The + and – keys scroll through the list of faults: pressing the – key goes back through the log and stops at the oldest fault present, pressing the + key goes forward in the log and stops at the most recent fault.

The faults are displayed in chronological order starting from the one that appeared farthest back in time x=1 to the most recent x=y. The maximum number of faults that can be shown is 64; when that number is reached, the log starts to overwrite the oldest ones.

This item on the menu displays the list of faults, but does not allow reset. Reset can be carried out only with the dedicated control from item RF on the TECHNICAL ASSISTANCE MENU.

The fault log cannot be deleted with a manual reset, by switching off the appliance, or by resetting the factory values, unless the procedure described above has been followed.

## 5.2 - Monitor Menu

From the main menu, by holding down simultaneously for 2 sec the keys “SET” and “-“ (minus), or using the selection menu and pressing + or -, you can access the MONITOR MENU.

In this menu, by pressing the MODE key, the following values are displayed in sequence.

### 5.2.1 - CT: Display contrast

Adjusts the display contrast.

### 5.2.2 - BK: Display brightness

Adjusts the backlighting of the display on a scale from 0 to 100.

### 5.2.3 - TK: Backlight switch-on time

Sets the time that the backlight is lit since the last time a key was pressed. Values allowed: ‘0’ always off; from 20 sec to 10 min or ‘always on’.

When the backlight is off, the first time any key is pressed has the sole effect of restoring the backlighting.

### 5.2.4 - LA: Language

Display in one of the following languages:

- Italian
- English
- French
- German
- Spanish
- Dutch
- Swedish
- Turkish
- Slovak
- Romanian
- Russian
- Thai

### 5.2.5 - TE: Dissipator temperature display

## 5.3 - Setpoint Menu

From the main menu, hold down simultaneously the “MODE” and “SET” keys until “SP” appears on the display (or use the selection menu pressing + or -). The + and – keys allow you respectively to increase and decrease the plant boosting pressure.

Press SET to leave this menu and return to the main menu.

The range of adjustment is 1-5.5 bar (14-80 psi).

### 5.3.1 - SP: Setting the setpoint pressure

Pressure at which the system is pressurised.



The pump restarting pressure is linked not only to the set pressure SP but also to RP. RP expresses the decrease in pressure, with respect to "SP" caused by the pump starting.

*For example: SP = 3,0 [bar]; RP = 0,3 [bar];*

*During normal operation the system is pressurised at 3.0 [bar].*

*The electropump restarts when the pressure falls below 2,7 [bar].*



Setting a pressure (SP) that is too high for the pump performance may cause false water lack errors BL; in these cases lower the set pressure.

### 5.4 - Manual Menu



In manual operation, the sum of the input pressure and the maximum pressure that can be supplied must not be greater than 6 bar.

From the main menu, hold down simultaneously the "SET" and "+" and "-" keys until the manual menu page appears (or use the selection menu pressing + or -).

Press SET to leave this menu and return to the main menu.

Entering the manual menu by pressing the SET + - keys puts the machine into forced STOP condition. This function can be used to force the machine to stop.

In the main menu, irrespective of the parameter displayed, it is always possible to perform the following controls:

Temporary starting of the electropump.

Pressing the MODE and + keys at the same time causes the pump to start at speed RI and this running status remains as long as the two keys are held down.

When the pump ON of pump OFF command is given, a communication appears on the display.

### Starting the pump

Holding down the MODE - + keys simultaneously for 2 sec. causes the pump to start at speed RI. The running status remains until the SET key is pressed. The next time the SET key is pressed the pump leaves the manual menu.

When the pump ON of pump OFF command is given, a communication appears on the display. In case of operation in this mode for more than 5' with no flow of liquid, an alarm overheating alarm will be triggered, with the error PH shown on the display.

Once the PH error condition is no longer present, the alarm will be reset automatically only. The reset time is 15'; if the PH error occurs more than 6 times consecutively, the reset time increases to 1h. Once it has reset further to this error, the pump will remain in stop status until the user restarts it using the "MODE" "-" "+" keys.

#### 5.4.1 - Status:

Displays the pump status.

#### 5.4.2 - RI: Speed setting

Sets the motor speed in rpm. Allows you to force the number of revolutions at a predetermined value.

#### 5.4.3 - VP: Pressure display

Plant pressure measured in [bar] or [psi] depending on the measuring system used.

#### 5.4.4 - VF: Flow display

Displays the flow in the chosen unit of measure. The measuring unit may be [l/min] or [gal/min] vedi par. 5.5.3 - MS: Measuring system.

#### 5.4.5 - PO: Absorbed power display

Power absorbed by the electropump in [kW].

If the maximum allowed power is exceeded, the identification PO blinks.

#### 5.4.6 - C1: Phase current display

Motor phase current in [A].

If the maximum allowed current is exceeded, the identification C1 blinks, indicating an imminent tripping of the overload protection.

#### 5.4.7 - RS: Rotation speed display

Motor rotation speed in rpm.



#### 5.4.8 - SV: Supply voltage

Present only in some models.

#### 5.4.9 - SR: Supply range

Present only in some models.

Indicates the range of supply voltage found. It may have the values: [110-127] V or [220-240] V. If the range is not determined, it has the value “- -”.

#### 5.4.10 - TE: Dissipator temperature display

#### 5.5 - Installer Menu

From the main menu, hold down simultaneously the “MODE” and “SET” and “-” keys until the first parameter of the installer menu appears on the display (or use the selection menu pressing + or -). The menu allows you to view and modify various configuration parameters: the MODE key allows you to scroll through the menu pages, the + and – keys allow you respectively to increase and decrease the value of the parameter concerned. Press SET to leave this menu and return to the main menu.

#### 5.5.1 - RP: Setting the pressure fall to restart

Expresses the fall in pressure with respect to the SP value which causes restarting of the pump.

For example if the setpoint pressure is 3.0 [bar] and RP è 0.5 [bar] the pump will restart at 2.5 [bar]. RP can be set from a minimum of 0.1 to a maximum of 1 [bar]. In particular conditions (for example in the case of a setpoint lower than the RP) it may be limited automatically. To assist the user, on the RP setting page the actual restarting pressure also appears highlighted under the RP symbol, see Figure 17.

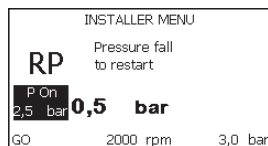


Figure 17: Setting the restart pressure

#### 5.5.2 - OD: Type of plant

VPossible values 1 and 2 referring to a rigid system and an elastic system. The device leaves the factory with mode 1 suitable for the majority of sys-

tems. In the presence of swings in pressure that cannot be stabilised by adjusting the parameters GI and GP, change to mode 2.

**IMPORTANT:** The regulating parameters GP and GI also change in the two configurations. In addition the GP and GI values set in mode 1 are stored in a different memory from the GP and GI values set in mode 2. So, for example, when passing to mode 2, the GB value of mode 1 is replaced by the GB value of mode 2 but it is kept and will reappear again when returning to mode 1. The same value shown on the display has a different weight in one mode or in the other because the control algorithm is different..

#### 5.5.3 - MS: Measuring system

Set the measuring system, choosing between metric and Anglo-American units. The quantities displayed are shown in Table 6.

**NOTE:** The flow in Anglo-American units (gal/min) is indicated adopting a conversion factor of 1 gal = 4.0 litres, corresponding to the metric gallon.

Units of measurement displayed		
Quantity	Metric units	Anglo-American units
Pressure	bar	psi
Temperature	°C	°F
Flow rate	l / min	gal / min

Table 6: Measuring system

#### 5.5.4 - AS: Association of devices

Allows connection/disconnection with the following devices:

- D-CONNECT BOX - Communication gateway.
- DEV Any other compatible devices.

The icons of the various connected devices are displayed on page AS with below an identifying acronym and the respective reception power.

An icon lit with a fixed light means that the device is connected and working correctly; a stroked through icon means the device is configured as part of the network but is not found.



All the devices present over the air are not displayed on this page but only the devices that have been associated with our network. Seeing only the devices in your own network allows the operation of several similar networks existing within the radius of action of the wireless without creating ambiguity; in this way the user does not see the elements that do not belong to his pumping system.

From this menu page it is possible to associate and disassociate an element from your personal wireless network.

When the machine starts the AS menu item does not show any connection because no device is associated. In these conditions the message “No Dev” is shown and the COMM led is off. Only an action by the operator can allow devices to be added or removed with the operations of association and disassociation.

#### Association of devices

Pressing ‘+’ for 5 sec puts the machine into the mode where it searches for wireless association, communicating this status by the blinking of the COMM leds at regular intervals. As soon as two machines in a working communication range are put into this status, if possible, they are associated with each other. If the association is not possible for one or both machines, the procedure ends and a pop-up appears on each machine saying “association not possible”. An association may not be possible because the device you are trying to associate is already present in the maximum number or because the device to be associated is not recognised. In the last case repeat the procedure from the start.

The search status for association remains active until the device to be

associated is detected (irrespective of the result of association); if not device can be seen within the space of 1 minutes, the machine automatically leaves association status. You can leave the search status for wireless association at any time by pressing SET or MODE.

#### Disassociation of devices

To dissociate a device belonging to an existing group, go to page AS (installer menu) of the device itself and press the – key for at least 5 seconds. After this operation all the icons related to the connected devices will be replaced the message “No Dev” is shown and the COMM led will remain off.

#### Replacing devices

To replace a device in an existing group it is sufficient to dissociate the device to be replaced and to associate the new device as described in the procedures above.

If it is not possible to dissociate the element to be replaced (faulty or not available), you will have to carry out the disassociation procedure for each device and create a new group.

#### 5.5.5 - EK: Setting the low pressure function on suction

Present only in models with Kiwa function.

Sets the low pressure function on suction.

Value	Function
0	disabled
1	enabled with automatic reset
2	enabled with manual reset

#### 5.5.6 - PK: Low pressure threshold on suction

Present only in models with Kiwa function.

Sets the pressure threshold below which the block is tripped for low pressure on suction.

#### 5.5.7 - T1: Low pressure delay (function detecting low pressure on suction)

Sets the time when the inverter switches off after detecting low pressure on suction (see Setting low pressure detection on suction par. 7.6.15.5). T1 can be set between 0 and 12 s. The factory setting is 2 s.

## 5.6 - Technical Assistance Menu

Present only in models with Kiwa function.

Advanced settings to be made only by skilled personnel or under the direct control of the service network.

From the main menu, hold down simultaneously the "MODE" and "SET" keys until "SP" appears on the display (or use the selection menu pressing + or -). The menu allows you to view and modify various configuration parameters: the MODE key allows you to scroll through the menu pages, the + and - keys allow you respectively to increase and decrease the value of the parameter concerned. Press SET to leave this menu and return to the main menu.

### 5.6.1 - TB: Water lack blockage time

Setting the reaction time of the water lack blockage allows you to select the time (in seconds) taken by the device to indicate the lack of water.

The variation of this parameter may be useful if there is known to be a delay between the moment the motor is switched on and the moment it actually begins to deliver. One example may be a plant where the suction pipe is particularly long and there are some slight leaks. In this case the pipe in question may be discharged and, even though water is not lacking, the electropump will take a certain time to reload, supply the flow and put the plant under pressure.

### 5.6.2 - T2: Delay in switching off

Sets the delay with which the inverter must switch off after switch-off conditions have been reached: plant under pressure and flow rate lower than the minimum flow.

T2 can be set between 2 and 120 s. The factory setting is 10 s.

### 5.6.3 - GP: Proportional gain coefficient

Generally the proportional term must be increased for systems characterised by elasticity (for example with PVC pipes) and lowered in rigid systems (for example with iron pipes).

To keep the pressure in the system constant, the inverter performs a type PI control on the measured pressure error. Depending on this error the inverter calculates the power to be supplied to the motor. The behaviour of this control depends on the set GP and GI parameters. To cope with the different behaviour of the various types of hydraulic plants where the system can work, the inverter allows the selection of parameters different

from those set by the factory. For nearly all plants the factory-set GP and GI parameters are optimal. However, should any problems occur in adjustment, these settings may be varied.

### 5.6.4 - GI: Integral gain coefficient

In the presence of large falls in pressure due to a sudden increase of the flow or a slow response of the system, increase the value of GI. Instead, if there are swings in pressure around the setpoint value, decrease the value of GI.

**IMPORTANT:** To obtain satisfactory pressure adjustments, you generally have to adjust both GP and GI.

### 5.6.5 - RM: Maximum speed

Sets a maximum limit on the number of pump revolutions.

### 5.6.6 - AY: Anti Cycling

As described in paragraph 9, this function is for avoiding frequent switching on and off in the case of leaks in the system. The function can be enabled in 2 different modes, normal and smart. In normal mode the electronic control blocks the motor after N identical start/stop cycles. In smart mode it acts on the parameter RP to reduce the negative effects due to leaks. If set on "Disable", the function does not intervene.

### 5.6.7 - AE: Enabling the anti-block function

This function is for avoiding mechanical blocks in the case of long inactivity; it acts by periodically rotating the pump.

When the function is enabled, every 23 hours the pump performs an unblocking cycle lasting 1 min.

### 5.6.8 - AF: Enabling the anti-freeze function

If this function is enabled the pump is automatically rotated when the temperature reaches values close to freezing point, in order to avoid breakages of the pump.

### 5.7 - Setting low pressure detection on suction (typically used in boosting systems connected to the water mains)

Present only in models with Kiwa function.

The low pressure detecting function generates the blocking of the system after the time T1 (see 5.5.6 - T1: Low pressure delay).

When this function is active the symbol F4 is shown on the main page.

Tripping of this function causes the pump to cut out; it may be reset automatically or manually. The automatic reset requires that, to leave the error condition F4, the pressure must return to a value 0.3 bar higher than PK for at least 2 sec. To reset the cut-out in manual mode, press and then release the “+” and “-” keys simultaneously

### 5.8 - RF: Fault and warning reset

Holding down the + and – keys together for at least 2 seconds deletes the history of faults and warnings. The number of faults present in the log is indicated under the symbol RF (max 64).

The log can be viewed from the MONITOR menu on page FF.

#### 5.8.1 - PW: Change password

The device has a password-enabled protection system. If a password is set, the parameters of the device will be accessible and visible but it will not be possible to change them.

When the password (PW) is “0” all the parameters are unlocked and can be edited. When a password is used (value of PW different from 0) all modifications are blocked and “XXXX” is displayed on the page PW.

If the password is set it allows to navigate through all the pages, but at any attempt to edit a parameter a pop-up appears, asking you to type in the password. When the correct password is typed in the parameters are unlocked and can be edited for 10’ after the last key is pressed.

If you want to cancel the password timer, just go to page PW and hold down + and – together for 2”.

When the correct password is typed in a padlock is shown opening, while if the wrong password is given a flashing padlock appears.

After resetting the factory values the password is set back at “0”.

Each change of the password takes effect when Mode or Set is pressed and each subsequent change of a parameter implies typing in the new password again (e.g. the installer makes all the settings with the default PW value = 0 and lastly sets the PW so as to be sure that the machine is already protected without any further action).

If the password is lost there are 2 possibilities for editing the parameters of the device:

- Make a note of the values of all the parameters, reset the device with the factory values, see paragraph 7.3. The reset operation cancels all the parameters of the device, including the password.
- Make a note of the number present on the password page, send a mail with this number to your service centre, in a few days you will be sent the password to unlock the device.

## 6 - PROTECTION SYSTEMS

The device is equipped with protection systems to preserve the pump, the motor, the supply line and the inverter. If one or more protections trip, the one with the highest priority is immediately notified on the display. Depending on the type of error the motor may stop, but when normal conditions are restored the error status may be cancelled immediately or only after a certain time, following an automatic reset.

In the case of blockage due to water lack (BL), blockage due to motor overload (OC), blockage due to direct short circuit between the motor phases (SC), you can try to exit the error conditions manually by simultaneously pressing and releasing the + and – keys. If the error condition remains, you must take steps to eliminate the cause of the fault.

In the event of blocking due to one of the internal errors E18, E19, E20, E21 it is necessary to wait 15 minutes with the machine powered until the blocked status is automatically reset.

Alarm in the fault log	
Display indication	Description
PD	Irregular switching off
FA	Problems in the cooling system

Table 7: Alarms

Blockage conditions	
Display indication	Description
PH	Cutout due to pump overheating
BL	Blockage due to water lack
BP1	Blockage due to reading error on the delivery pressure sensor
BP2	Blockage due to reading error on the suction pressure sensor
PB	Blockage due to supply voltage outside specifications
LP	Block for low DC voltage
HP	Block for high DC voltage
OT	Blockage due to overheating of the power stages
OC	Blockage due to motor overload
SC	Blockage due to short circuit between the motor phases
ESC	Blockage due to short circuit to earth
HL	Hot liquid
NC	Blockage due to motor disconnected
Ei	Blockage due to i-th internal error
Vi	Blockage due to i-th internal voltage out of tolerance
EY	Block for cyclicity abnormal detected on the system

Table 8: Indications of blockages

## 6.1 - Description of blockages

### 6.1.1 - “BL” Anti Dry-Run (Protection against dry running)

In the case of lack of water the pump is stopped automatically after the time TB. This is indicated by the red “Alarm” led and by the letters “BL” on the display. After having restored the correct flow of water you can try to leave the protective block manually by pressing the “+” and “-” keys simultaneously and then releasing them. If the alarm status remains, or if the user does not intervene by restoring the flow of water and resetting the

pump, the automatic restart will try to restart the pump.



If the parameter SP is not correctly set, the protection against water lack may not work correctly.

### 6.1.2 - Anti-Cycling (Protection against continuous cycles without utility request)

If there are leaks in the delivery section of the plant, the system starts and stops cyclically even if no water is intentionally being drawn: even just a slight leak (a few ml) can cause a fall in pressure which in turn starts the electropump.

The electronic control of the system is able to detect the presence of the leak, based on its recurrence.

The Anti-Cycling function can be excluded or activated in Basic or Smart mode (par 5.6.6).

In Basic mode, once the condition of recurrence is detected the pump stops and remains waiting to be manually reset. This condition is communicated to the user by the lighting of the red “Alarm” led and the appearance of the word “ANTICYCLING” on the display. After the leak has been removed, you can manually force restart by simultaneously pressing and releasing the “+” and “-“ keys.

In Smart mode, once the leak condition is detected, the parameter RP is increased to decrease the number of starts over time.

### 6.1.3 - Anti-Freeze (Protection against freezing of water in the system)

The change of state of water from liquid to solid involves an increase in volume. It is therefore essential to ensure that the system does not remain full of water with temperatures close to freezing point, to avoid breakages of the system. This is the reason why it is recommended to empty any electropump that is going to remain unused during the winter. However, this system has a protection that prevents ice formation inside by activating the electropump when the temperature falls to values close to freezing point. In this way the water inside is heated and freezing prevented.



The Anti-Freeze protection works only if the system is regularly fed: with the plug disconnected or in the absence of current the protection cannot work. However, it is advised not to leave the system full during long periods of inactivity: drain the system accurately through the drainage cap and put it away in a sheltered place.

#### 6.1.4 - “BP1” Blockage due to fault of the delivery pressure sensor (system pressurisation)

If the device detects a fault in the delivery pressure sensor the pump remains blocked and the error signal “BP1” is given. This status begins as soon as the problem is detected and ends automatically when correct conditions have been restored.

#### 6.1.5 - “BP2” Blockage due to fault of the suction pressure sensor

If the device detects a fault in the suction pressure sensor the pump remains blocked and the error signal “BP2” is given. This status begins as soon as the problem is detected and ends automatically when correct conditions have been restored.

#### 6.1.6 - “PB” Blockage due to supply voltage outside specifications

This occurs when the allowed line voltage at the supply terminal assumes values outside the specifications. It is reset only automatically when the voltage at the terminal returns within the allowed values.

#### 6.1.7 - “SC” Blockage due to short circuit between the motor phases

The device is provided with protection against the direct short circuit which may occur between the motor phases. When this blockage is indicated you can attempt to restore operation by simultaneously holding down the + and – keys, but this will not have any effect until 10 seconds have passed since the moment the short circuit occurred.

#### 6.2 - Manual reset of error conditions

In error status, the user can cancel the error by forcing a new attempt, pressing and then releasing the + and – keys.

#### 6.3 - Self-reset of error conditions

For some malfunctions and blockage conditions, the system attempts automatic self-reset.

The auto self-reset procedure concerns in particular:

- “BL” Blockage due to water lack
- “PB” Blockage due to line voltage outside specifications
- “OT” Blockage due to overheating of the power stages
- “OC” Blockage due to motor overload
- “BP” Blockage due to fault of the pressure sensor

For example, if the system is blocked due to water lack, the device auto-

matically starts a test procedure to check whether the machine is really left definitively and permanently dry. If during the sequence of operations an attempted reset is successful (for example, the water comes back), the procedure is interrupted and normal operation is resumed.

Table 9 shows the sequences of the operations performed by the device for the different types of blockage.

Automatic resets of error conditions		
Display indication	Description	Automatic reset sequence
BL	Blockage due to water lack	<ul style="list-style-type: none"> <li>- One attempt every 10 minutes for a total of 6 attempts.</li> <li>- One attempt every hour for a total of 24 attempts</li> <li>- One attempt every 24 hours for a total of 30 attempts.</li> </ul>
PB	Blockage due to line voltage outside specifications	<ul style="list-style-type: none"> <li>- It is reset when it returns to a specific voltage.</li> </ul>
OT	Blockage due to overheating of the power stages	<ul style="list-style-type: none"> <li>- It is reset when the temperature of the power stages returns within the specifications.</li> </ul>
OC	Blockage due to motor overload	<ul style="list-style-type: none"> <li>- One attempt every 10 minutes for a total of 6 attempts.</li> <li>- One attempt every hour for a total of 24 attempts.</li> <li>- One attempt every 24 hours for a total of 30 attempts.</li> </ul>

Table 9: Self-reset of blockages

## 7 - RESET AND FACTORY SETTINGS

### 7.1 - General system reset

To reset the system, hold down the 4 keys simultaneously for 2 sec. This operation is the same as disconnecting the power, waiting for it to close down completely and supplying power again. The reset does not delete the settings saved by the user.

### 7.2 - Factory settings

The device leaves the factory with a series of preset parameters which may be changed according to the user's requirements. Each change of the settings is automatically saved in the memory and, if desired, it is always possible to restore the factory conditions (see Restoring the factory settings par par 7.3 - Restoring the factory settings).

### 7.3 - Restoring the factory settings

To restore the factory values, switch off the device, wait until the display has switched off completely, press and hold down the "SET" and "+" keys and turn on the power; release the two keys only when the letters "EE" appear.

This restores the factory settings (a message and a rereading on EE-PROM of the factory settings permanently saved in the FLASH memory). Once all the parameters have been set, the device returns to normal operation.

NOTE: Once the factory values have been restored it will be necessary to reset all the parameters that characterise the system (gains, setpoint pressure, etc.) as at the first installation.

Factory settings			
Identifying code	Description	Value e.sybox mini <sup>3</sup>	Installation Memo
BK	Display brightness	80%	
TK	Backlight lighting T	2 min	

LA	Language	ENG	
SP	Setpoint pressure [bar]	2,7	
RI	Revs per minute in manual mode [rpm]	3200	
OD	Type of plant	1 (Rigid)	
RP	Pressure decrease to restart [bar]	0,3	
MS	Measuring system	0 (International)*	
EK	Low pressure function on suction	1	
PK	Low pressure threshold on suction [bar]	1,0	
TB	Blockage time for water lack [s]	15	
T1	Low pr. delay [s]	2	
T2	Delay in switching off [s]	10	
GP	Proportional gain coefficient	0,5	
GI	Integral gain coefficient	1,2	
RM	Maximum speed	7000	
AE	Anti-blocking function	1(Enable)	
AF	Antifreeze	0	
PW	Change Password	0 (Disabled)	
AY	Anticycling Function AY	0 (Disabilitato)	

\*: for products intended for specific markets, the factory value of the measurement system MS may be 1 (English speaking world)

Table 10: Factory settings

## 8 - PARTICULAR INSTALLATIONS

### 8.1 - Inhibiting self-priming

The product is made and supplied with the capacity of being self-priming. With reference to par. 4, the system is able to prime and therefore operate in whatever installation configuration chosen: below head or above head. However there are cases in which the self-priming capacity is not necessary, or areas where it is forbidden to use self-priming pumps. During priming the pump obliges part of the water already under pressure to return to the suction part until a pressure value is reached at delivery whereby the system can be considered primed. At this point the recirculating channel closes automatically. This phase is repeated each time the pump is switched on, even already primed, until the same pressure value that closes the recirculating channel is reached (about 1 bar).

When the water arrives at the system intake already under pressure (maximum allowed 2 bar) or when the installation is always below head, it is possible (and mandatory where local regulations require it) to force the closure of the recirculating pipe, losing the self-priming capacity. This obtains the advantage of eliminating the clicking noise of the pipe shutter each time the system is switched on.

To force closure of the self-priming pipe, proceed as follows:

1. Disconnect the power supply;
2. empty the system (unless you decide to inhibit self-priming at the first installation);
3. remove the drainage cap on Face E, taking care not to drop the O-Ring (Fig.18);
4. with the aid of pliers take the shutter out of its seat. The shutter will be extracted together with the O-Ring and the metal spring with which it is assembled;
5. remove the spring from the shutter; insert the shutter in its seat again with the respective O-Ring (side with gasket towards the inside of the pump, stem with cross-shaped fins towards the outside);
6. screw on the cap after having positioned the metal spring in side so that it is compressed between the cap itself and the with cross-shaped fins of the shutter stem. When repositioning the cap ensure that the respective O-Ring is always correctly in its seat;

7. fill the pump, connect the power supply, start the system.

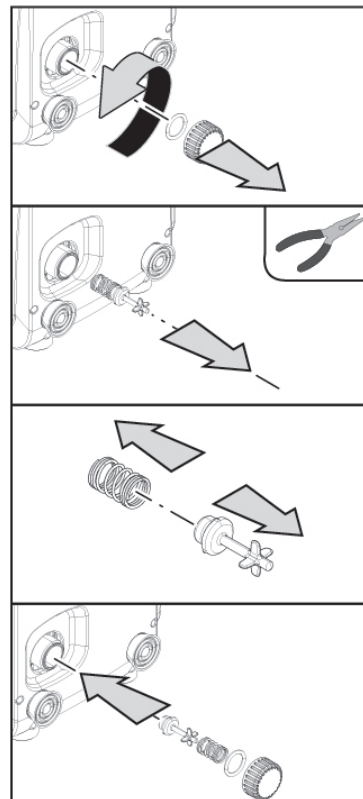


Figure 18



## 8.2 - Wall installation

This product is already set up for installation hanging on the wall with the DAB accessory kit, to be purchased separately. The wall installation appears as in Fig.19.

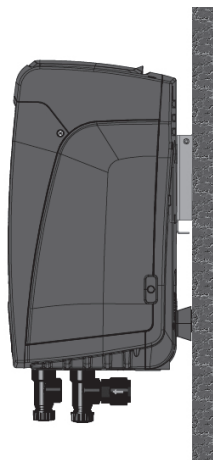


Figure 19

## 9. MAINTENANCE



Disconnect the power supply before starting any work on the system.

The system requires no routine maintenance operations.

However, below are the instructions for performing the special maintenance operations that may be necessary in particular cases (e.g. emptying the system to put it away during a period of inactivity).

### 9.1 - Accessory tool

With the product, DAB supplies a metal key with a hexagonal section (Fig.20 – 1) useful for performing some special maintenance operations on the system, or during installation.

In particular, use the key for the orientation of the interface panel described

in par. 2.2.2 or for opening the door of the compartment next to the interface panel.

If the key is lost or damaged, the operation can be done using a standard 2mm allen wrench.



Figure 20

### 9.2 - Emptying the system

If you want to drain the water out of the system, proceed as follows:

1. disconnect the power supply;
2. turn on the delivery tap closes to the system so as to remove pressure from the system and empty it as much as possible;
3. if there is a check valve immediately downstream from the system (always recommended), close it so as not to let out the water that is in the plant between the system and the first turned on tap;
4. interrupt the suction pipe in the point closest to the system (it is always recommended to have a check valve immediately upstream from the system) so as not to drain the whole suction system;
5. remove the drainage cap (fig.1 face E if vertical configuration; fig.1 Face C if horizontal configuration) and let out the water inside (about 1.5 litres);
6. the water that is trapped in the delivery system downstream from the non-return valve integrated in the system can flow out at the time of disconnecting the system, or on removing the cap of the second delivery (if not used).



Though essentially drained, the system is unable to expel all the water that it contains.

During handling of the system after emptying it, some small amounts of water may probably leak out from the system.

### 9.3 - Non-return valve

The system has an integrated non-return valve which is necessary for correct operation. The presence of solid bodies or sand in the water could cause malfunctioning of the valve and therefore of the system. Although it is recommended to use fresh water and eventually fit filters on input, if you notice abnormal operation of the non-return valve it can be extracted from the system and cleaned and/or replaced by proceeding as follows:

1. remove the access door to the special maintenance compartment (Fig.1 Face F) disengaging the 2 fixing screws with the accessory tool. It is advisable not to remove the screws completely, so that you can use them to extract the door. Take care not to drop the screws inside the system once you have removed the door (Fig.21);
2. using a screwdriver, remove the 1"1/4 cap so as to access the non-return valve (Fig.21);
3. using pliers, extract the cartridge of the non-return valve without rotating it, gripping it by the jumper provided for the purpose (Fig.21): the operation may require a certain effort;
4. clean the valve under running water, ensure that it is not damaged and replace it if necessary;
5. put the complete cartridge back in its seat: the operation requires the force necessary to compress the 2 O-Rings (Fig.21);
6. Screw on the 1"1/4 cap until it is snug: if the cartridge has not been pushed correctly in place, screwing on the cap will complete its positioning (Fig.21);
7. reposition the door and tighten the 2 screws (Fig.21).

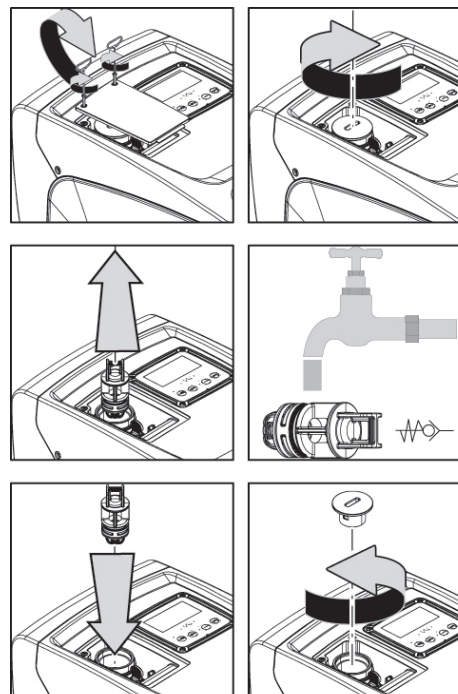


Figure 21



Should one or more O-rings be lost or damaged during maintenance operations on the non-return valve, they must be replaced. Otherwise the system might not work correctly.

### 9.4 - Motor shaft

The electronic control of the system ensures smooth starts so as to avoid excessive stress on the mechanical parts and thus prolong the life of the product. In exceptional cases this characteristic could cause problems

in starting the pump: after a period of inactivity, perhaps with the system drained, the salts dissolved in the water could have settled and formed calcification between the moving part (motor shaft) and the fixed part of the pump, thus increasing the resistance on starting. In this case it may be sufficient to help the motor shaft by hand to detach itself from the calcifications. In this system the operation is possible because access to the motor shaft from outside is guaranteed and a groove is provided at the end of the shaft. Proceed as follows:

1. remove the cover of the technical compartment (fig.1 Face A);
2. lift the rubber cover of the motor shaft access cap (fig. 22);
3. using a 10mm hexagonal key, remove the motor shaft access cap (fig. 22);
4. insert a straight tip screwdriver in the groove on the motor shaft and manoeuvre, turning in 2 directions (fig. 22);
5. if it is turning freely the system can be started, after having replaced the cap and cover that have been removed;
6. if rotation is blocked and it cannot be removed by hand, call the assistance service.

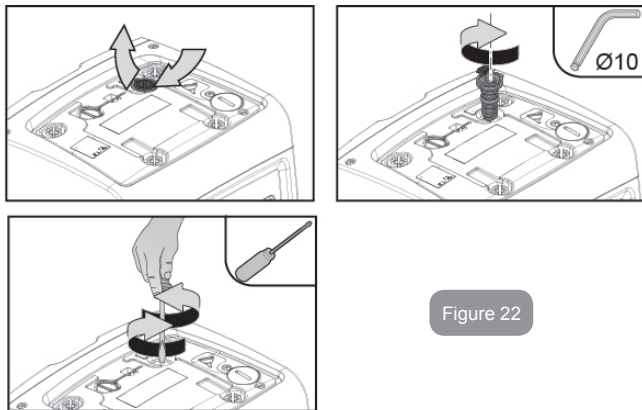


Figure 22

### 9.5 - Expansion Vessel

See paragraph 1.2 for the operations to check and adjust the air pressure in the expansion vessel and to replace it if it is broken.

To access the valve of the expansion vessel, proceed as follows:

1. remove the access door to the special maintenance compartment (Fig.1 Face F) disengaging the 2 fixing screws with the accessory tool. It is advisable not to remove the screws completely, so that you can use them to extract the door. Take care not to drop the screws inside the system once you have removed the door (fig. 23);
2. slip the rubber cap off the valve of the expansion vessel (fig. 23);
3. regulate the valve as indicated in paragraph 1.2 (fig. 23);
4. reposition the rubber cap (fig. 23);
5. reposition the door and tighten the 2 screws (fig. 23).

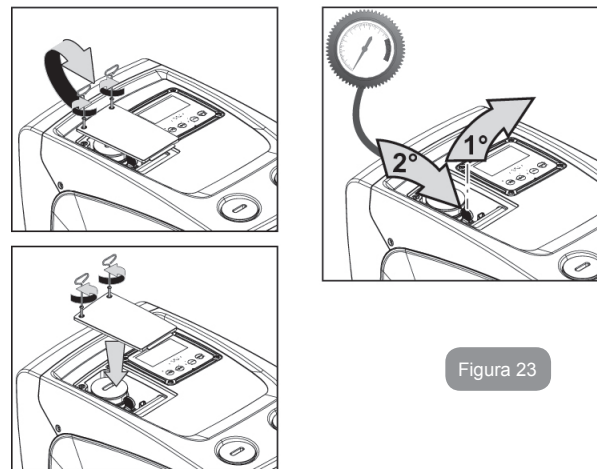


Figura 23

## 10 - TROUBLESHOOTING



Before starting to look for faults it is necessary to disconnect the power supply to the pump (take the plug out of the socket).

## Solving typical problems

Fault	LED	Probable Causes	Remedies
The pump does not start.	Red: off White: off Blue: off	No electric power.	Check whether there is voltage in the socket and insert the plug again.
The pump does not start.	Red: on White: on Blue: off	Shaft blocked.	See paragraph 9.4 (motor shaft maintenance).
The pump does not start.	Red: off White: on Blue: off	Utility at a level higher than the system restarting pressure level (par. 3.2).	Increase the system restarting pressure level by increasing SP or decreasing RP.
The pump does not stop.	Red: off White: on Blue: off	<ol style="list-style-type: none"> <li>Leak in the system.</li> <li>Impeller or hydraulic part clogged.</li> <li>Air getting into the suction pipe.</li> <li>Faulty flow sensor</li> </ol>	<ol style="list-style-type: none"> <li>Check the system, find and eliminate the leak.</li> <li>Dismantle the system and remove the obstructions (assistance service).</li> <li>Check the suction pipe, find and eliminate the cause of air getting in.</li> <li>Contact the assistance centre.</li> </ol>

Insufficient delivery	Red: off White: on Blue: off	<ol style="list-style-type: none"> <li>Suction depth too high.</li> <li>Suction pipe clogged or diameter insufficient.</li> <li>Impeller or hydraulic part clogged.</li> </ol>	<ol style="list-style-type: none"> <li>As the suction depth increases the hydraulic performance of the product decreases. Check whether the suction depth can be reduced. Use a suction pipe with a larger diameter (but never smaller than 1").</li> <li>Check the suction pipe, find the cause of choking (obstruction, dry bend, counterslope, ...) and remove it.</li> <li>Dismantle the system and remove the obstructions (assistance service).</li> </ol>
The pump starts without utility request.	Red: off White: on Blue: off	<ol style="list-style-type: none"> <li>Leak in the system.</li> <li>Faulty non-return valve.</li> </ol>	<ol style="list-style-type: none"> <li>Check the system, find and eliminate the leak.</li> <li>Service the non-return valve as described in par. 9.3.</li> </ol>
The water pressure when turning on the utility is not immediate.	Red: off White: on Blue: off	Expansion vessel empty (insufficient air pressure) or has broken diaphragm.	Check the air pressure in the expansion vessel. If water comes out when checking, the vessel is broken: assistance service. Otherwise restore the air pressure according to the equation par. 1.2.
When the utility is turned on the flow falls to zero before the pump starts	Red: off White: on Blue: off	Air pressure in the expansion vessel higher than the system starting pressure.	TCalibrate the expansion vessel pressure or configure the parameters SP and/or RP so as to satisfy the equation par.1.2.

The display shows BL	Red: on White: on Blue: off	1. No water. 2. Pump not primed. 3. Setpoint not reachable with the set RM value	1-2. Prime the pump and check whether there is air in the pipe. Check whether the suction or any filters are blocked. 3. Set a RM value that allows the setpoint to be reached.
The display shows BP1	Red: on White: on Blue: off	1. Faulty pressure sensor.	1. Contact the assistance centre.
The display shows BP2	Red: on White: on Blue: off	1. Faulty pressure sensor.	1. Contact the assistance centre.
The display shows OC	Red: on White: on Blue: off	1. Excessive absorption. 2. Pump blocked.	1. Fluid too dense. Do not use the pump for fluids other than water. 2. Contact the assistance centre.
The display shows PB	Red: on White: on Blue: off	1. Supply voltage too low. 2. Excessive drop in voltage on the line.	1. Check the presence of the correct supply voltage. 2. Check the section of the power supply cables.

## 11 - UPDATING THE FIRMWARE

The firmware can be updated with the D-Connect Box via wireless communication. To perform the update, refer to the D-Connect Box manual.

## 12 - DISPOSAL

This product or its parts must be disposed of in an environment-friendly manner and in compliance with the local regulations concerning the environment; use public or private local waste collection systems.

## 13 - GUARANTEE

Any use of faulty material or manufacturing defects of the appliance will be eliminated during the guarantee period contemplated by the law in force in the country where the product is purchased, by repair or replacement, as we decide.

The guarantee covers all substantial defects that can be assigned to manufacturing faults or to the material used if the product has been used correctly, in accordance with the instructions.

The guarantee is void in the following cases:

- attempts to repair the appliance,
- technical alterations to the appliance,
- use of non original spare parts,
- tampering.
- inappropriate use, for example industrial use.

Excluded from the guarantee:

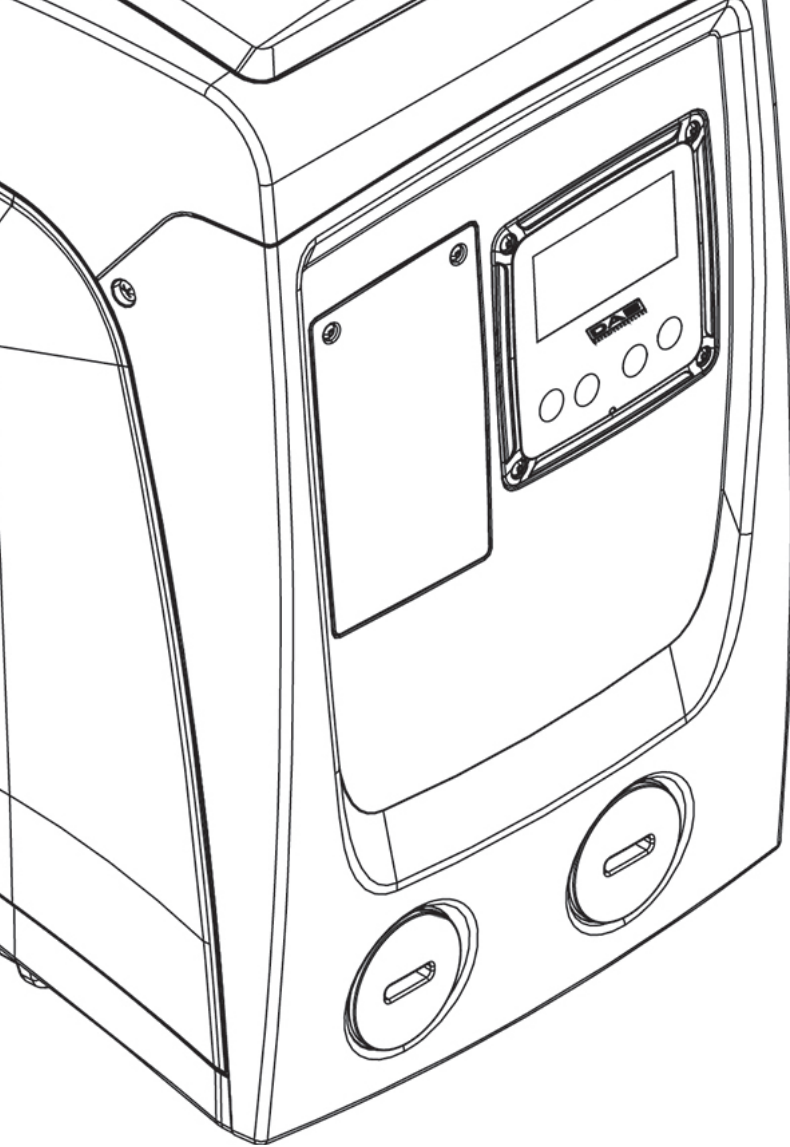
- parts subject to rapid wear.

When making a request under guarantee, apply to an authorised technical assistance service, presenting proof of purchase of the product.

**SOMMAIRE**

<b>Légende</b>	<b>76</b>		
<b>Avertissements</b>	<b>76</b>		
<b>Responsabilité</b>	<b>77</b>		
<b>1. Généralités</b>	<b>77</b>		
1.1 Description de l'inverseur intégré	78		
1.2 Vase d'expansion intégré	78		
1.3 Caractéristiques techniques	79		
<b>2. Installation</b>	<b>80</b>		
2.1 Configuration verticale	81		
2.1.1 Raccords hydrauliques	81		
2.1.2 Opérations de chargement - Installation battant supérieur et battant inférieur	82		
2.2 Configuration horizontale	82		
2.2.1 Raccords hydrauliques	83		
2.2.2 Orientation du tableau d'interface	83		
2.2.3 Opérations de chargement - Installation battant supérieur et battant inférieur	83		
<b>3. Mise en fonction</b>	<b>84</b>		
3.1 Branchements électriques	84		
3.2 Configuration de l'inverseur intégré	85		
3.3 Amorçage	86		
<b>4. Le clavier et l'écran</b>	<b>87</b>		
4.1 Accès direct avec combinaisons de touches	88		
4.2 Accès par nom à l'aide du menu déroulant	91		
4.3 Structure des pages de menu	91		
4.4 Blocage paramètres par mot de passe	92		
4.5 Habilitation et désactivation du moteur	92		
<b>5. Signification des paramètres</b>	<b>93</b>		
5.1 Menu utilisateur	93		
5.1.1 État	93		
5.1.2 RS : Affiche l'état de la pompe	93		
5.1.3 VP: Affichage de la pression	93		
5.1.4 VF : Affichage du flux	93		
5.1.5 PO : Affichage de la puissance distribuée	93		
5.1.6 C1 : Affichage du courant de phase	93		
5.1.7 SV: Tension d'alimentation	93		
5.1.8 SR: Plage d'alimentation	93		
5.1.9 TE: Affichage de la température du dissipateur	93		
5.1.10 PKm: Pression mesurée à l'aspiration	93		
5.1.11 Heures de fonctionnement et nombre de démarrages	93		
5.1.12 PI : Histogramme de la puissance	93		
5.1.13 Débit	94		
5.1.14 VE: Affichage de la version	94		
5.1.15 FF: Affichage pannes et avertissements (historique)	94		
5.2 Menu Écran	94		
5.2.1 CT : Contraste écran	94		
5.2.2 BK : Luminosité écran	94		
5.2.3 TK : Temps d'allumage éclairage de fond	94		
5.2.4 LA : Langue	94		
5.2.5 TE : Affichage de la température du dissipateur	94		
5.3 Menu de paramétrage	94		
5.3.1 SP: Réglage de la pression de paramétrage	95		
5.4 Menu Manuel	95		
5.4.1 État	95		
5.4.2 RI : Paramétrage vitesse	95		
5.4.3 VP : Affichage de la pression	95		
5.4.4 VF : Affichage du flux	95		
5.4.5 PO : Affichage de la puissance distribuée	95		
5.4.6 C1 : Affichage du courant de phase	95		
5.4.7 RS : Affichage de la vitesse de rotation	95		
5.4.8 SV: Tension d'alimentation	96		
5.4.9 SR: Plage d'alimentation	96		
5.4.10 TE : Affichage de la température du dissipateur	96		
5.5 Menu installateur	96		
5.5.1 RP : Paramétrage de la diminution de pression pour redémarrage	96		
5.5.2 OD : Type d'installation	96		
5.5.3 MS : Système de mesurage	96		
5.5.4 AS: Association de dispositifs	97		
5.5.5 EK: Réglage fonction basse pression en aspiration	97		
5.5.6 PK: Seuil basse pression en aspiration	97		
5.5.7 T1: Temporisation basse pression (fonction de relevage basse pression en aspiration)	98		
5.6 Menu Assistance technique	98		
5.6.1 TB : Temps de blocage manque d'eau	98		
5.6.2 T2: Temporisation de l'arrêt	98		
5.6.3 GP: Coefficient de gain proportionnel	98		
5.6.4 GI: Coefficient de gain intégral	98		
5.6.5 RM: Vitesse maximum	98		
5.6.6 AY: Anti Cycling	98		
5.6.7 AE: Habilitation de la fonction d'anti-blocage	98		
5.6.8 AF: Habilitation de la fonction d'antigel	99		
5.7 Réglage du relevage de basse pression en aspiration	99		
5.8 RF: Remise à zéro des pannes et avertissements	99		
5.8.1 PW: Modifiés password	99		
<b>6. Systèmes de protection</b>	<b>99</b>		
6.1 Description des blocages	100		

6.1.1 "BL » Anti Dry-Run (protection contre le fonctionnement à sec)	100
6.1.2 Anti-Cycling (protection contre les cycles continus sans demande de l'utilisateur)	100
6.1.3 "Anti-Freeze (protection contre le gel de l'eau dans le système)	101
6.1.4 "BP1" Blocage pour panne du capteur de pression à l'arrivée	101
6.1.5 "BP2" Blocage pour panne du capteur de pression en aspiration	101
6.1.6 "PB" Blocage pour tension d'alimentation hors-spécification	101
6.1.7 "SC" Blocage pour court-circuit entre les phases du moteur	101
6.2 Remise à zéro manuelle des conditions d'erreur	101
6.3 Remise à zéro automatique des conditions d'erreur	101
<b>7. Remise à zéro et paramètres du constructeur</b>	<b>102</b>
7.1 Remise à zéro générale du système	102
7.2 Paramètres du constructeur	102
7.3 Remise à zéro des paramètres du constructeur	102
<b>8. Installations spéciales</b>	<b>103</b>
8.1 Blocage du démarrage automatique	103
8.2 Installation murale	104
<b>9. Entretien</b>	<b>104</b>
9.1 Outil accessoire	104
9.2 Vidange du système	105
9.3 Clapet de non-retour	105
9.4 Arbre moteur	106
9.5 Vase d'expansion	107
<b>10. Résolution des problèmes</b>	<b>107</b>
<b>11. Mise à jour du micrologiciel</b>	<b>108</b>
<b>12. Mise au rebut</b>	<b>109</b>
<b>13. Garantie</b>	<b>109</b>





## LÉGENDE

Les symboles suivants sont employés dans le présent document:



**SITUATION DE DANGER GÉNÉRAL.** Le non-respect des instructions suivantes peut provoquer des dommages aux personnes et aux propriétés.



**SITUATION DE DANGER D'ÉLECTROCUTION.** Le non-respect des instructions suivantes peut provoquer une situation de risque grave pour la sécurité des personnes.



**Remarques et informations générales.**

## AVERTISSEMENTS

Le présent manuel fait référence aux produits e.sybox mini<sup>3</sup>.



Avant de procéder à l'installation, lire attentivement la documentation présente. L'installation et le fonctionnement devront être conformes à la réglementation de sécurité du pays dans lequel le produit est installé. Toute l'opération devra être effectuée dans les règles de l'art. Le non-respect des normes de sécurité provoque un danger pour les personnes et peut endommager les appareils. De plus, il annulera tout droit d'intervention sous garantie.



Les produits objet de la présente négociation rentrent dans la typologie des appareils professionnels et appartiennent à la classe d'isolement 1.



Personnel spécialisé

Les branchements électriques et les liaisons hydrauliques doivent être effectués par un personnel qualifié répondant aux exigences techniques définies par les réglementations de sécurité du pays où le produit est installé. Le terme personnel qualifié entend des personnes qui, par leur formation, leur expérience et leur instruction, ainsi que par leur connaissance des normes, prescriptions et dispositions traitant de la prévention des accidents et des conditions de service, ont été autorisées par le responsable de la sécurité de l'installation à effectuer toutes les activités nécessaires et sont donc en mesure de connaître et d'éviter tout danger. (Définition du personnel technique CEI 364)



L'installateur a la responsabilité de s'assurer que le système d'alimentation est équipé d'un système de mise à la terre efficace, conformément aux réglementations en vigueur.



Afin d'améliorer l'immunité aux bruits éventuels émis vers d'autres équipements, il est recommandé d'utiliser une canalisation électrique séparée pour l'alimentation de l'onduleur.



L'appareil peut être utilisé par des enfants de 8 ans au moins ou par des personnes aux capacités physiques, sensorielles ou mentales réduites, ou sans expérience ou ne disposant pas des connaissances nécessaires, à condition qu'ils/elles soient sous surveillance et qu'ils/elles aient reçu des instructions quant à l'utilisation sécurisée de l'appareil et qu'ils/elles comprennent les dangers qui y sont liés. Les enfants ne doivent pas jouer avec l'appareil. Le nettoyage et l'entretien qui sont à la charge de l'utilisateur ne doivent pas être effectués par des enfants sans surveillance. Sécurité



L'utilisation n'est permise que si l'installation électrique est dotée des mesures de sécurité prévues par les normatives en vigueur dans le pays d'installation du produit (pour l'Italie CEI 64/2).



Liquides pompés

La machine est conçue et construite pour pomper de l'eau, exempte de substances explosives et de particules solides ou de fibres, d'une densité de 1000 Kg/m<sup>3</sup> et dont la viscosité cinématique est de 1mm<sup>2</sup>/s, ainsi que des liquides qui ne sont pas agressifs du point de vue chimique..



Le câble d'alimentation ne doit jamais être utilisé pour transporter ou pour déplacer la pompe.



Ne jamais débrancher la fiche de la prise en tirant sur le câble.



Si le câble d'alimentation est endommagé, il doit être remplacé par le constructeur ou par son service d'assistance technique autorisé, afin de prévenir tout risque.

Le non-respect des avertissements peut engendrer des situations dangereuses pour les personnes et les choses et annuler la garantie du produit.

**RESPONSABILITÉ'**

**Le constructeur ne répond pas du bon fonctionnement des électropompes ou des dommages éventuels que celles-ci peuvent provoquer si celles-ci sont manipulées, modifiées et/ou si elles fonctionnent en-hors du lieu de travail conseillé ou dans des conditions qui ne respectent pas les autres dispositions du présent manuel.** Il décline en outre toute responsabilité pour les imprécisions qui pourraient figurer dans le présent manuel d'instructions, si elles sont dues à des erreurs d'impression ou de transcription. Il se réserve le droit d'apporter au produit les modifications qu'il estimera nécessaires ou utiles, sans qu'elles ne portent préjudice aux caractéristiques essentielles.

**1- GÉNÉRALITÉS**

Le produit est un système intégré composé d'une électropompe centrifuge à étages multiples et démarrage automatique, d'un circuit électronique de commande et d'un vase d'expansion. Le refroidissement du moteur à l'eau, non pas à l'air, assure un niveau de bruit inférieur du système et permet de le placer dans un environnement non aéré.

*Applications*

installations hydriques d'approvisionnement et de pressurisation pour usage domestique ou industriel. À l'extérieur, le produit se présente comme un parallélépipède à six pans, comme l'illustre la Fig. 1.

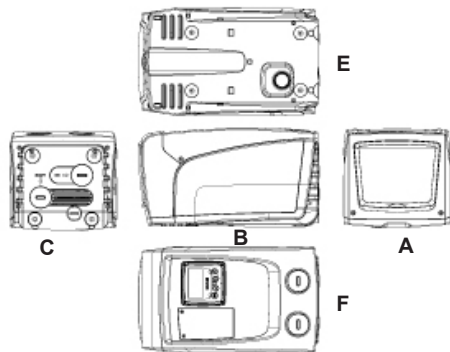


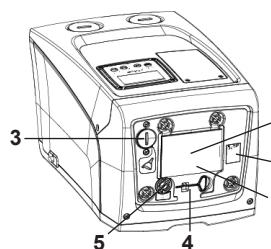
Figure 1

**Pan A:** porte d'accès au logement technique.



Figure 2

Le logement technique permet d'accéder à (voir Fig.3):



1. Guide rapide;
2. Plaquette technique;
3. Bouchon de chargement (uniquement pour l'installation verticale);
4. Outil accessoire;
5. Arbre moteur;
6. QR-code

Figure 3

**Faccia B:** Un passe-fil permet de faire sortir le câble d'alimentation à brancher au réseau électrique.

**Pan C:** les 4 filetages en laiton forment le siège des 4 pieds d'appui pour l'installation verticale. Les 2 bouchons à visser de 1" peuvent être éliminés afin de réaliser les branchements vers l'installation, selon la configuration de l'installation que l'on souhaite adopter. Si nécessaire, brancher le dispositif d'alimentation en eau (puits, citerne, etc.) à la prise « IN » et le dispositif de distribution à la prise « OUT ». Une grille d'aération est également présente. Le bouchon de 3/8" permet de vidanger le système s'il est installé à l'horizontale. Une grille d'aération est également présente.

**Pan E:** les 4 filetages en laiton forment le siège des 4 pieds d'appui pour l'installation horizontale. La fonction principale du bouchon de 1" est la vidange du système s'il est installé à la verticale. Deux grilles d'aération sont également présentes..

**Pan F:** comme indiqué sur l'étiquette à retirer, le bouchon de 1" en correspondance de la mention « IN » sur le pan C a deux fonctions: pour l'installation horizontale, la bouche qui est fermée par le bouchon est la porte de chargement du système (voir ci-après « opération de chargement », par 2.2.3); pour l'installation verticale, cette même bouche peut constituer le raccordement hydraulique d'entrée (exactement comme celle qui est marquée « IN » sur le pan C et en alternative à celle-ci). L'autre bouchon de 1" permet d'accéder à une seconde connexion d'admission qui peut être utilisée simultanément à celle qui est indiquée par « OUT » sur le pan C, ou en alternative à celle-ci. Le tableau d'interface utilisateur est composé d'un écran et d'un clavier. Il a pour fonction de paramétrer le système, d'interroger son état et de communiquer les alarmes éventuelles. La porte fermée par 2 vis permet d'accéder à un logement prévu pour la maintenance extraordinaire : nettoyage du clapet de non-retour et rétablissement de la pression de pré-charge du réservoir.

Le système peut être installé en deux configurations : horizontale (Fig.4) ou verticale (Fig.5).



Figure 4

### 1.1 Description de l'inverseur intégré

Le contrôle électronique intégré dans le système est à inverseur et se base sur l'utilisation de capteurs de débit, de pression et de température, eux aussi intégrés dans le système. Grâce à ces capteurs, le système s'allume et s'éteint automatiquement en fonction des nécessités de l'utilisateur ; il peut en outre relever les conditions de dysfonctionnement, les prévenir et les signaler.



Figure 5

Le contrôle par le biais de l'inverseur assure différentes fonctionnalités, dont les plus importantes sont, pour les systèmes de pompage, le maintien d'une valeur de pression constante en distribution et l'économie d'énergie.

- L'inverseur est en mesure de maintenir une pression constante dans le circuit hydraulique, en variant la vitesse de rotation de l'électropompe. Lorsque le système fonctionne sans inverseur, l'électropompe ne parvient pas à moduler la pression, et lorsque le débit requis augmente, la pression diminue nécessairement, et vice versa : il en résulte que la pression est trop élevée à faible débit ou qu'elle est trop basse lorsque le débit nécessaire augmente.
- En variant la vitesse de rotation en fonction de la demande instantanée de l'utilisateur, l'inverseur limite la puissance accordée à l'électropompe au minimum requis pour assurer la réponse à la demande. Le fonctionnement sans inverseur prévoit en revanche que l'électropompe soit toujours en fonction, et uniquement à la puissance maximale.

Pour la configuration des paramètres, voir les chapitres 4-5.

### 1.2 Vase d'expansion intégré

Le système comprend un vase d'expansion intégré d'une capacité totale de 1 litre. Les principales fonctions du vase d'expansion sont les suivantes:

- rendre le système élastique afin de le préserver du pompage;
- assurer une réserve d'eau qui maintienne plus longtemps la pression du système en cas de fuites faibles et augmenter l'intervalle entre les redémarrages inutiles du système, qui seraient sans cela continus;
- lorsque l'utilisateur est ouvert, assurer la pression de l'eau durant les secondes nécessaires au système pour s'allumer et atteindre la bonne vitesse de rotation.

Il ne revient pas au vase d'expansion intégré d'assurer une réserve d'eau suffisante pour réduire les interventions du système (requis par les utilisateurs, non pas suite à des fuites de l'installation). Il est possible d'ajouter au système un vase d'expansion de la capacité voulue en le raccordant à un point du circuit de distribution (non pas d'aspiration !). Pour l'installation horizontale, il est possible de se raccorder à la bouche de distribution inutilisée. Lors du choix du réservoir, tenir compte du fait

que la quantité d'eau fournie dépendra également des paramètres SP et RP réglables sur le système (parag. 4-5).

Le vase d'expansion est pré-chargé à l'air sous pression à travers la vanne qui est accessible depuis le logement de maintenance extraordinaire (Fig.1, Pan F).

La valeur de pré-charge avec laquelle le vase d'expansion est fourni par le constructeur correspond aux paramètres SP et RP paramétrés par défaut, et répond en tout cas à la formule suivante:

$$\text{Pair} = \text{SP} - \text{RP} - 0.7 \text{ bar}$$

Où:

- Pair = valeur de la pression de l'air en bar
- SP = point de paramétrage (5.3.1) en bar
- RP = réduction de la pression pour le redémarrage (5.5.1) en bar

Ainsi, à la sortie des ateliers du constructeur:  $\text{Pair} = 3 - 0,3 - 0,7 = 2,0 \text{ bar}$

Si des valeurs différentes sont sélectionnées pour les paramètres SP et/ou RP, intervenir sur la vanne du vase d'expansion en libérant ou introduisant de l'air jusqu'à satisfaire à nouveau la formule ci-dessus (ex. SP=2,-0bar ; RP=0,3bar ; libérer de l'air du vase d'expansion jusqu'à atteindre une pression de 1,0 bar sur la vanne).



La non-respect de la formule ci-dessus peut provoquer des dysfonctionnements du système ou la rupture précoce de la membrane située à l'intérieur du vase d'expansion.



Au vu de la capacité du vase d'expansion, de 1 litre seulement, l'éventuelle opération de contrôle de la pression de l'air doit être effectuée en déclenchant très rapidement le manomètre : sur de petits volumes, même la perte d'une quantité limitée d'air peut provoquer une baisse sensible de la pression. La qualité du vase d'expansion assure le maintien de la valeur de la pression de l'air paramétrée. Procéder au contrôle uniquement durant la phase de calibrage ou si l'on est certain du dysfonctionnement.



L'éventuelle opération de contrôle et/ou de rétablissement de la pression de l'air doit être effectuée à circuit de distribution non pressurisé : débrancher la pompe d'alimentation et ouvrir l'utilisateur le plus proche de la pompe en le gardant ouvert jusqu'à ce que l'eau ne s'écoule plus.



La structure spéciale du vase d'expansion assure sa qualité et sa durée dans le temps, en particulier celles de la membrane : il s'agit de l'élément le plus sujet aux ruptures par usure de ce type de composants. En cas de rupture, remplacer l'ensemble du vase d'expansion. Cette opération doit uniquement être effectuée par du personnel autorisé.

### 1.3 Caractéristiques techniques

Sujet	Paramètre	e.sybox mini <sup>3</sup>	
ALIMENTATION ÉLECTRIQUE	Tension*	1 ~ 220-240 VAC	1 ~ 230 VAC
	Fréquence	50/60 Hz	
	Puissance maximum	850 W	
	Courant de fuite vers la terre	<2 mA	
CARACTÉRISTIQUES CONSTRUCTIVES	Encombrement	445x262x242 mm sans pieds d'appui	
	Poids à vide (emballage exclus)	13,6 kg	
	Classe de protection	IP x4	
	Classe d'isolation du moteur	F	

PRESTATIONS HYDRAULIQUES	Prévalence maximum	55 m
	Portée maximum	80 l/min
	Amorçage	<5min a 8m
	Pression d'exercice maximum	7.5 bar
CONDITIONS D'EXERCICE	Température max du liquide	40 °C
	Température ambiante max	50 °C
	Température ambiante de stockage	-10+60 °C
FONCTIONNALITÉS ET PROTECTIONS	Pression constante	
	Protection contre la marche à sec	
	Protection antigel	
	Protection anti-cycling	
	Protection ampèremétrique vers le moteur	
	Protection contre les tensions d'alimentation anormales	
	Protections contre la surchauffe	
*: se référer à la plaquette des données techniques sur la pompe		

## 2- INSTALLATION



Le système est conçu pour une utilisation « en intérieur » : ne pas prévoir l'installation du système en extérieur et/ou ne pas l'exposer directement aux agents atmosphériques.



Le système est conçu pour pouvoir travailler dans des environnements dont la température est comprise entre 1°C et 50°C (sauf pour assurer l'alimentation électrique : se reporter au parag.5.6.8 « fonction antigel »).



Le système est adapté au traitement de l'eau potable.



Le système ne peut pas être utilisé pour pomper de l'eau salée, du lisier, des liquides inflammables, corrosifs ou explosifs (par ex. pétrole, essence, diluants), des graisses, des huiles ou produits alimentaires



Le système peut aspirer de l'eau dont le niveau ne dépasse pas 8 m de profondeur (hauteur entre le niveau de l'eau et la bouche d'aspiration de la pompe).



Si le système est utilisé pour l'alimentation hydrique domestique, respecter les normatives locales émises par les autorités responsables de la gestion des ressources hydriques.



Lors du choix du lieu d'installation, vérifier que:

- La tension et la fréquence reportées sur la plaquette technique de la pompe correspondent aux données de l'installation électrique d'alimentation.
- Le branchement électrique se situe dans un lieu sec, à l'abri des inondations éventuelles.
- Le système de mise à la terre est conforme à la législation.

Si l'absence de corps étrangers dans l'eau à pomper n'est pas certaine, prévoir l'installation d'un filtre adapté pour l'interception des impuretés à l'entrée du système.



L'installation d'un filtre d'aspiration comporte une diminution des prestations hydrauliques du système proportionnelle à la perte de charge due au filtre (en général, plus la capacité filtrante est grande, plus la réduction des prestations est grande).

Choisir le type de configuration que l'on entend adopter (verticale ou horizontale) en tenant compte des raccordements vers l'installation, de la position du tableau d'interface utilisateur, des espaces disponibles en fonction des indications fournies ci-après. Pour l'installation murale, voir parag. 8.2.

## 2.1 - Configuration Verticale

Visser les 4 pieds en caoutchouc fournis séparément dans l'emballage des sièges en laiton du pan C. Mettre l'appareil en place en tenant compte des encombrements indiqués au Fig.6.

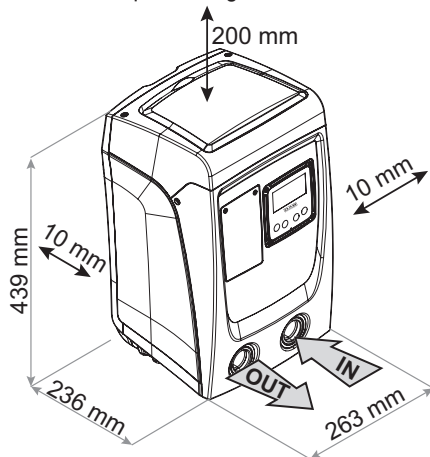


Figure 6

- Il est obligatoire de garder une distance de 10 mm au moins entre le pan E du système et un mur éventuel, afin d'assurer l'aération à travers les grilles prévues. Si l'on prévoit de devoir vider le système par sa porte de vidange et non par le dispositif, laisser une distance supérieure adaptée à l'espace de manœuvre du bouchon de vidange.
- Il est obligatoire de laisser un espace d'au moins 10 mm entre le pan B du système et un encombrement, afin d'assurer la sortie du câble d'alimentation vers la prise électrique.
- Il est recommandé de garder une distance de 200 mm au moins entre le pan A du système et un encombrement, afin de pouvoir retirer la porte d'accès au logement technique.

Si la surface n'est pas plane, dévisser le pied qui ne repose pas au sol en réglant sa hauteur jusqu'à obtenir le contact avec celui-ci, afin d'assurer

la stabilité du système. Le système doit en effet être placé de manière sûre et stable. Il doit garantir la verticalité de l'axe : ne pas le placer sur un système incliné.

### 2.1.1 Raccords hydrauliques

réaliser le raccord en entrée du système à travers la bouche du pan F marquée « IN » sur la Fig. 6 (raccord d'aspiration). Retirer ensuite le bouchon à l'aide d'un tournevis.

Effectuer la connexion en sortie du système à travers la bouche sur le pan F indiquée par « OUT » à la Fig. 6 (raccord d'admission). Retirer ensuite le bouchon pertinent à l'aide d'un tournevis.

Tous les raccords hydrauliques du système vers l'installation à laquelle il peut être connecté comprennent un filetage femelle de 1" GAZ en laiton.



Si l'on souhaite raccorder l'appareil au système à l'aide de raccords dont l'encombrement diamétral est supérieur à l'encombrement normal du tuyau de 1" (par exemple un collier dans le cas de raccords à 3 parties), veiller à ce que le filetage mâle 1" GAZ du raccord dépasse de 25 mm au moins de l'encombrement indiqué ci-dessus (voir Fig. 7)



Figure 7



Les filetages en laiton sont logés dans des sièges en technopolymère. Lors de la réalisation de l'étanchéité du raccord en ajoutant du matériel (ex. téflon, chanvre, ...) veiller à ne pas excéder avec le joint : sous l'action d'un couple de serrage adéquat (ex. pince perroquet à manche long), le matériel en excès pourrait exercer des contraintes anormales sur le siège en technopolymère et l'endommager définitivement.

En prenant pour référence la position par rapport à l'eau à pomper, l'installation du système peut être définie « sur niveau » ou « sous niveau ». L'installation est dite « sur niveau » lorsque la pompe est placée à un niveau supérieur par rapport à l'eau à pomper (ex. pompe en surface et eau dans le puits) ; vice versa, elle est dite « sous niveau » lorsque la pompe est placée à un niveau inférieur par rapport à l'eau à pomper (ex. pompe sous une citerne suspendue).



Si l'installation verticale du système est « sur niveau », il est recommandé de prévoir un clapet de non-retour sur le tronçon d'aspiration du système, afin de permettre le chargement du système (parag. 2.1.2).



Si l'installation est « sur niveau », installer le conduit d'aspiration de la source d'eau à la pompe de manière ascendante, en évitant la formation de cols de cygnes ou de siphons. Ne pas placer le conduit d'aspiration au-dessus du niveau de la pompe (pour éviter la formation de bulles d'air dans le conduit d'aspiration). Le conduit d'aspiration doit prélever, à son entrée, à 30 cm de profondeur au moins sous le niveau d'eau ; il doit être étanche sur toute sa longueur, jusqu'à l'entrée dans l'électropompe.



Les conduits d'aspiration et de distribution doivent être montés de manière à n'exercer aucune pression mécanique sur la pompe.

### 2.1.2. Opérations de chargement Installations sur niveau et sous niveau

Installation « battant supérieur » (parag. 2.1.1) : accéder au logement technique et, à l'aide d'un tournevis, retirer le bouchon de chargement (Fig.3\_point 6). À travers la porte de chargement, remplir le système d'eau propre en veillant à laisser sortir l'air. Si le clapet de non-retour du conduit d'aspiration (recommandé au parag. 2.1.1) a été installé à proximité de la porte d'entrée du système, la quantité d'eau nécessaire à remplir le système devrait être de 0,9 litres. Il est conseillé de prédisposer le clapet de non-retour à l'extrémité du conduit d'aspiration (vanne de fond) de façon à pouvoir remplir entièrement ce dernier durant l'opération de chargement. Dans ce cas, la quantité d'eau nécessaire à l'opération de chargement

dépendra de la longueur du conduit d'aspiration (0,9 litres + ...). Installation « sous niveau » (parag. 2.1.1) : si aucune vanne d'interception n'est présente entre le dépôt d'eau et le système (ou si elles sont ouvertes), ce dernier se charge automatiquement dès qu'il peut évacuer l'eau interpolée. Ensuite, en desserrant le bouchon de chargement (Fig.3\_punto 6) autant que nécessaire pour éventer l'air interpolé, le système peut se charger entièrement. Il faut surveiller l'opération et fermer la porte de chargement dès que l'eau sort (il est toutefois conseillé de prévoir une vanne d'interception sur la partie du conduit en aspiration et de l'utiliser pour commander l'opération de chargement à bouchon ouvert). En alternative, si le conduit d'aspiration est intercepté par une vanne fermée, l'opération de chargement peut être effectuée de la même manière que pour l'installation sur niveau.

### 2.2 - Configuration Horizontale

Visser les 4 pieds en caoutchouc fournis séparément dans l'emballage des sièges en laiton du pan E. Mettre l'appareil en place en tenant compte des encombrements indiqués à la Fig. 8.

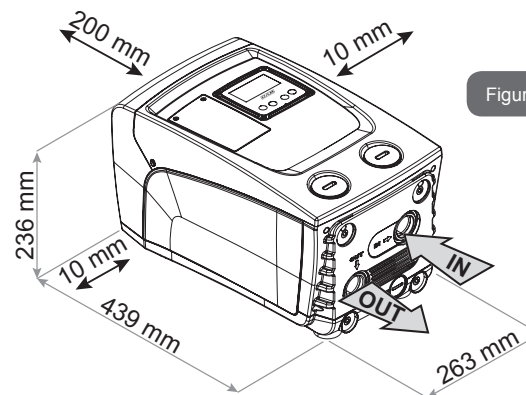


Figure 8

- Il est obligatoire de maintenir une distance d'au moins 10 mm entre le pan B du système et un encombrement, afin d'assurer la sortie du câble d'alimentation vers la prise électrique.
- Il est recommandé de garder distance de 200 mm au moins entre le pan A du système et un encombrement, afin de pouvoir retirer la porte d'accès au logement technique.

Si la surface n'est pas plate, dévisser le pied qui ne repose pas au sol en réglant sa hauteur jusqu'à obtenir le contact avec celui-ci, afin d'assurer la stabilité du système. Le système doit en effet être placé de manière sûre et stable. Il doit garantir la verticalité de l'axe : ne pas le placer sur un système incliné.

### 2.2.1 Raccords hydrauliques

Réaliser le raccord en entrée du système à travers la bouche du pan C marquée « IN » sur la Fig. 8 (raccord d'aspiration). Retirer alors le câble pertinent à l'aide d'un tournevis.

Effectuer la connexion en sortie du système à travers la bouche située sur le pan C, indiquée par « OUT 1 » sur la Fig. 8 et/ou à travers la bouche située que le pan F, indiquée par « OUT 2 » sur la Fig. 8 (raccord d'admission). Dans cette configuration, les 2 bouches peuvent en effet être utilisées l'une en alternative de l'autre (selon ce qui est le plus pratique pour l'installation) ou simultanément (systèmes à double distribution). Retirer alors le/les bouchons(s) de la/des porte(s) que l'on entend utiliser à l'aide d'un tournevis.

Tous les raccords hydrauliques du système vers l'installation à laquelle il peut être connecté comprennent un filetage femelle de 1" GAZ en laiton.



Voir l'AVERTISSEMENT pertinent à la Fig. 7.

### 2.2.2 Orientation du tableau d'interface

Le tableau d'interface est conçu de manière à pouvoir être orienté dans la direction la plus pratique pour être lu par l'utilisateur : la forme carrée permet en effet de le faire pivoter de 90° en 90° (Fig. 9).

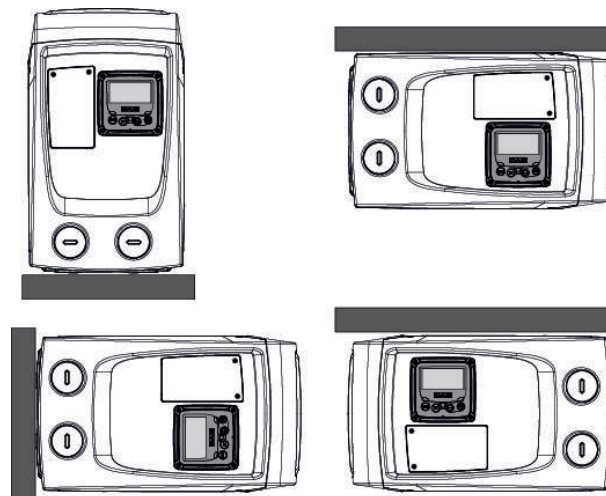


Figure 9

- Dégager les 4 vis sur les angles du panneau à l'aide de l'outil adéquat.
- Ne pas retirer entièrement les vis. Il est conseillé de dégager uniquement le filetage sur la carène du produit.
- Faire attention à ne pas faire tomber les vis dans le système.
- Séparer le tableau en veillant à ne pas tendre le câble de transmission du signal.
- Remettre le tableau en place en l'orientant de la manière la plus adaptée en veillant à ne pas pincer le câble.
- Serrer les 4 vis à l'aide de la clé spécifique.



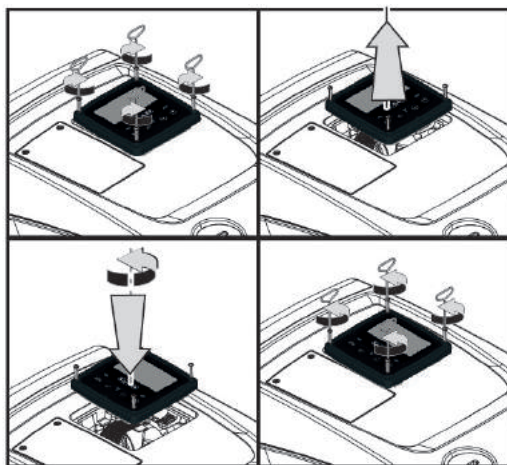


Figure 10

### 2.2.3 Opération de chargement Installation sur niveau et sous niveau

En prenant pour référence la position par rapport à l'eau à pomper, l'installation du système peut être définie « sur niveau » ou « sous niveau ». L'installation est dite « sur niveau » lorsque la pompe est placée à un niveau supérieur par rapport à l'eau à pomper (ex. pompe en surface et eau dans le puits); vice versa, elle est dite « sous niveau » lorsque la pompe est placée à un niveau inférieur par rapport à l'eau à pomper (ex. pompe sous une citerne suspendue). Installation « battant supérieur » : à l'aide d'un tournevis, retirer le bouchon de chargement qui, pour la configuration horizontale, est celui du pan F (Fig.1). à travers la porte de chargement, remplir le système d'eau propre en veillant à laisser sortir l'air: pour assurer un remplissage optimal, il convient d'ouvrir également la porte de chargement du pan A (Fig.1), qui est utilisée pour le remplissage en configuration verticale, de façon à évacuer entièrement l'air qui pourrait rester bloqué dans le système ; veiller à bien fermer les ouvertures au terme de l'opération. La quantité

d'eau nécessaire pour remplir le système doit être de 0,7 litres au moins. Il est conseillé de prédisposer un clapet de non-retour à l'extrémité du conduit d'aspiration (vanne de fond) de façon à pouvoir remplir entièrement ce dernier durant l'opération de chargement. Dans ce cas, la quantité d'eau nécessaire à l'opération de chargement dépendra de la longueur du conduit d'aspiration (0,7 litres + ...).

Installation « sous niveau » : si aucune vanne d'interception n'est présente entre le dépôt d'eau et le système (ou si elles sont ouvertes), ce dernier se charge automatiquement dès qu'il peut évacuer l'air interpolé. Ensuite, en desserrant le bouchon de chargement (pan F – Fig.1) autant que nécessaire pour éviter l'air interpolé, le système peut se charger entièrement. Pour desserrer le bouchon, utiliser l'outil accessoire (Fig. 3 point 5) ou un tournevis. Il faut surveiller l'opération et fermer la porte de chargement dès que l'eau sort (il est toutefois conseillé de prévoir une vanne d'interception sur la partie du conduit en aspiration et de l'utiliser pour commander l'opération de chargement à bouchon ouvert). En alternative, si le conduit d'aspiration est intercepté par une vanne fermée, l'opération de chargement peut être effectuée de la même manière que pour l'installation sur niveau.

## 3 - MISE EN ROUTE



La profondeur d'aspiration ne doit pas dépasser 8 m.

### 3.1 - Branchement électriques

Pour améliorer l'immunité contre le bruit pouvant être émis vers les autres appareils, il est conseillé d'utiliser un chemin de câbles séparé pour l'alimentation du produit.



La tension de la ligne peut changer lorsque l'électropompe est mise en route. La tension de la ligne peut subir des variations en fonction des autres dispositifs qui y sont branchés et de la qualité de la ligne elle-même.



Il est vivement recommandé d'effectuer l'installation suivant les indications du manuel conformément aux lois, directives et normes en vigueur dans le site d'utilisation et en fonction de l'application. Le produit en objet contient un convertisseur à l'intérieur duquel sont présents des tensions continues et des courants avec des composants à haute fréquence (voir tableau 0).

Typologie des éventuels courants de fuite vers la terre				
	Alternatif	Unipolaire pulsant	Continu	Avec composants à haute fréquence
Convertisseur alimentation monophasée	X	X		X

Tableau 0

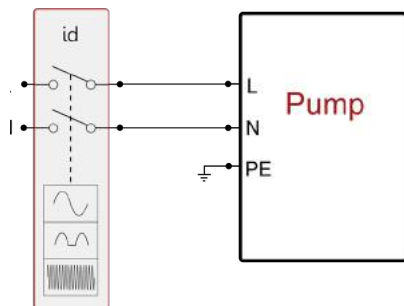


Figure 11 - bis exemple d'installation

L'interrupteur magnétothermique de protection doit être correctement dimensionné (voir caractéristiques électriques).

Pour les pompes dépourvues de fiche électrique la correspondance des couleurs des conducteurs est celle qui est indiquée dans le tableau 0bis:

Connexion	Typologie A	Typologie B
Phase	Marron	Marron
Neutre	Bleu clair	Bleu clair
Terre (PE)	Jaune/Vert	Vert

Typologie A : marchés européens ou assimilés.  
Typologie B : marchés américain et canadien ou assimilés.

Tableau 0 bis

L'appareil doit être connecté à un interrupteur principal qui interrompt tous les pôles d'alimentation. Quand l'interrupteur se trouve en position ouverte, la distance de séparation entre chaque contact doit respecter ce qui est indiqué dans le tableau 0tris.

Distance minimale entre les contacts de l'interrupteur d'alimentation		
Alimentation [V]	≤127	>127 et ≤240
Distance minimale [mm]	>1,7	>3

Tableau 0 tris

### 3.2 Configuration de l'inverseur intégré

Le système est configuré par le constructeur de façon à satisfaire la plupart des cas d'installation à fonctionnement sous pression constante. Les principaux paramètres réglés en atelier sont les suivants:

- Point de consigne (valeur de la pression constante voulue) : SP = 2.7 bar/39 psi.
- Réduction de la pression pour le redémarrage RP = 0.3 bar/4.3 psi.
- Fonction Anti-cycling : désactivée.

Ces paramètres, et d'autres encore, peuvent en tout cas être réglés par l'utilisateur en fonction de l'installation. Voir les spécifications indiquées aux parag. 4-5.



La définition des paramètres SP et RP fournit la valeur suivante de la pression à laquelle le système démarre:

**Pstart = SP – RP** Exemple : 2.7 – 0.3 = 2.4 bar dans la configuration par défaut

Le système ne fonctionne pas si l'utilisateur se trouve à une hauteur supérieure à l'équivalent en mètres-colonne-eau de Pstart (considérer 1 bar = 10 m env.) : pour la configuration par défaut, si l'utilisateur se trouve à 27 m de haut au moins, le système ne démarre pas.

### 3.3 - Amorçage

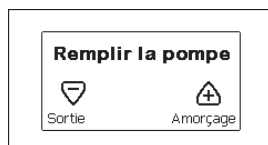
L'amorçage d'une pompe est la phase durant laquelle la machine tente de remplir le corps et le conduit d'aspiration d'eau. Si l'opération est effectuée correctement, la machine peut travailler normalement.

Lorsque la pompe est remplie (parag. 2.1.2, 2.2.3) et que le dispositif est configuré (parag. 3.2), l'alimentation électrique peut être branchée, après avoir ouvert au moins un utilisateur de distribution.

Le système s'allume et vérifie que de l'eau est présente sur la distribution pendant les 10 premières secondes.

Si un débit est relevé sur la distribution, la pompe est amorcée et commence à travailler normalement. C'est le cas type d'installation sous niveau (parag. 2.1.2, 2.2.3). L'utilisateur ouvert sur la distribution, d'où l'eau s'écoule à présent, peut être fermé.

Si le débit de distribution n'est pas régulier après de 10 secondes, le système demande la confirmation pour lancer la procédure d'amorçage (cas type pour les installations sous niveau aux parag. 2.1.2, 2.2.3). C'est-à-dire:



Appuyer sur « + » pour lancer la procédure d'amorçage : le système commence à travailler pendant 5 minutes au maximum, durant lesquelles le blocage de sécurité pour marche à sec n'intervient pas. Le temps d'amorçage dépend de différents paramètres, dont les plus influents sont la profondeur du niveau d'eau à aspirer, le diamètre du conduit d'aspiration, l'étanchéité du conduit d'aspiration. Sauf l'utilisation d'un conduit d'aspiration d'une dimension non inférieure à 1" et si celui-ci est bien scellé (il ne présente pas de trous ou de jonctions par lesquels aspirer l'air), le produit a été conçu pour pouvoir s'amorcer dans des conditions d'eau jusqu'à 8 m de profondeur, pendant une durée de 5 minutes au moins. Dès que le système relève un flux continu à l'admission, il quitte la procédure d'amorçage et commence son travail régulier. L'utilisateur ouvert sur la distribution, d'où l'eau s'écoule à présent, peut être fermé. Si le produit n'est pas encore amorcé après 5 minutes de procédure, l'écran d'interface affiche un message d'échec. Débrancher l'alimentation, charger le produit en ajoutant de l'eau, attendre 10 minutes et relancer la procédure à partir du branchement de la fiche.

Appuyer sur « - » pour confirmer que l'on ne veut pas lancer la procédure d'amorçage. Le dispositif reste en état d'alarme.

#### Fonctionnement

Lorsque l'électropompe est amorcée, le système commence son fonctionnement normal selon les paramètres configurés : il démarre automatiquement lorsque le robinet est ouvert, il fournit de l'eau à la pression établie (SP), il maintient la pression constante même si d'autres robinets sont ouverts, il s'arrête automatiquement après la période de temps T2 lorsque les conditions d'arrêt (T2 peut être paramétré par l'utilisateur, valeur du fabricant 10 sec) sont atteintes.

## 4 - LE CLAVIER DE L'ÉCRAN






Figure 12: Aspect de l'interface utilisateur

L'interface utilisateur est composée d'un petit clavier avec écran LCD 128x240 pixel et un DEL de signalisation POWER, COMM, ALARM, comme l'illustre la Figure 12.

L'écran affiche les valeurs et les états du dispositif, en indiquant la fonctionnalité des différents paramètres.

Les fonctions des touches sont résumées dans le Tableau 1.

	La touche MODE permet de passer aux mentions suivantes du même menu. Une pression prolongée d'1 sec. au moins permet de passer à la mention précédente du menu.
	La touche SET permet de sortir du menu actuellement à l'écran.
	Diminue le paramètre actuel (si un paramètre peut être modifié).



Augmente le paramètre actuel (si un paramètre peut être modifié).

Tableau 1: Fonction des touches

Une pression prolongée sur la touche « + » ou sur la touche « - » permet d'augmenter/diminuer automatiquement le paramètre sélectionné. Après 3 secondes de pression de la touche « + » ou de la touche « - » la vitesse d'augmentation/diminution automatique augmente.



Lorsque la touche + ou la touche - sont appuyées, la valeur sélectionnée est modifiée et sauvegardée immédiatement dans la mémoire permanente (EEPROM). Si la machine est éteinte, même accidentellement, durant cette phase, le paramètre qui vient d'être réglé n'est pas perdu.

La touche SET sert uniquement à sortir du menu actuel, et elle n'est pas nécessaire pour sauvegarder les modifications apportées. Certaines valeurs sont actionnées à la pression « SET » ou « MODE » uniquement dans certains cas décrits aux paragraphes suivants.

**DEL de signalisation**

- Puissance  
DEL de couleur blanche. Allumé fixe dans la machine est alimentée. Clignotant quand la machine est désactivée.
- Alarme  
DEL de couleur rouge. Allumé fixe quand la machine est bloquée pour une erreur.

**Menu**

La structure complète de tous les menus et de toutes les mentions qui les composent est présentée dans le Tableau 3.

**Accès aux menus**















Le menu principal permet d'accéder aux différents menus de deux manières:

- 1 - Accès direct avec combinaison de touches.
- 2 - Accès par nom à l'aide du menu déroulant.

#### 4.1 Accès direct avec combinaison de touches

L'utilisateur accède directement au menu voulu en appuyant simultanément sur la combinaison de touches pendant la durée indiquée (par exemple MODE SET pour entrer dans le menu Setpoint) et en faisant défiler les différentes mentions du menu à l'aide de la touche MODE.

Le Tableau 2 illustre les menus accessibles par combinaisons de touches.

NOM DU MENU	TOUCHES D'ACCÈS DIRECT	TEMPS DE PRESSION
Utilisateur		Au relâchement du bouton
Écran	 	2 Sec
Point de paramétrage	 	2 Sec
Manuel	  	5 Sec
Installateur	  	5 Sec
Assistance technique	  	5 Sec















Remise à zéro des valeurs du constructeur	 	2 Sec avant la mise en route de l'appareil
Remise à zéro	   	2 Sec

Tableau 2: Accès aux menus

Menu réduit (visible)			Menu étendu (accès direct ou mot de passe)			
Menu Principal	Menu Utilisateur mode	Menu Monitor set-moins	Menu Setpoint mode-set	Menu Manuel set-moins-plus	Menu Installateur mode-set-moins	Menu Ass. Technique mode-set-plus
<b>PRINCIPAL</b> (Page Principale)	<b>STATUT</b> <b>RS</b> Tours par minute	<b>CT</b> Contraste	<b>SP</b> Pression de paramétrage	<b>STATUT</b> <b>RI</b> Paramétrage vitesse	<b>RP</b> Diminution press. pour redémarrage	<b>TB</b> Temps de blocage manque d'eau
Sélection menu	<b>VP</b> Pression	<b>BK</b> Éclairage de fond		<b>VP</b> Pression	<b>OD</b> Type d'installation	<b>T2</b> Temporisation de l'arrêt
	<b>VF</b> Affichage du flux	<b>TK</b> Temps d'activation du rétro-éclairage		<b>VF</b> Affichage du flux	<b>MS</b> Système de mesurage	<b>GP</b> Gain proportionnel.
	<b>PO</b> Puissance fournie à la pompe	<b>LA</b> Langue		<b>PO</b> Puissance fournie à la pompe	<b>AS</b> Dispositifs sans fil	<b>GI</b> Gain intégral
	<b>C1</b> Courant de phase pompe	<b>TE</b> Température dissipateur		<b>C1</b> Courant de phase pompe	<b>EK</b>  Habilitation fonction basse pression en aspiration	<b>RM</b> Vitesse maximale
	<b>SV</b>  Tension d'alimentation			<b>RS</b> Tours par minute	<b>PK</b>  Seuil basse pression en aspiration	<b>AY</b> Anti Cycling
	<b>SR</b>  Gamme d'alimentation			<b>TE</b> Température dissipateur	<b>T1</b>  Temporisation basse pr.	<b>AE</b> Anti-blocage
	<b>TE</b> Température Dissipateur			<b>SV</b>  Tension d'alimentation		
	<b>PKm</b> Pression mesurée en aspiration			<b>SR</b>  Gamme d'alimentation		
	Heures de fonction- nement Heures de travail Nombre de démar- rages					<b>AF</b> Antigel

	<b>PI</b> Histogramme de la puissance					<b>RF</b> Réinitialisation fault & Warning
	Débit					<b>PW</b> Modification mot de passe
	<b>VE</b> Informations HW et SW					
	<b>FF</b> Panne et Avertissement (Historique)					

Tableau 3: Structure des menus

Légende	
	Paramètres disponibles en version K
	Paramètres disponibles uniquement dans la version DV

## 4.2 - Accès par nom à l'aide du menu déroulant

L'utilisateur peut accéder aux différents menus d'après leur nom. Le menu principal permet d'accéder à la sélection des menus en appuyant soit sur la touche +, soit sur la touche -.

La page de sélection des menus présente les noms des menus auxquels il est possible d'accéder ; l'un des menus est indiqué par une barre (voir Fig. 13-14). Les touches + et - permettent de déplacer cette barre pour sélectionner le menu pertinent, dans lequel l'utilisateur entre en appuyant sur MODE.

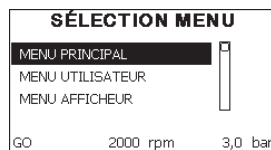


Figure 14 : Sélection des menus déroulants

Les mentions disponibles sont MAIN (principal), UTENTE (utilisateur), MONITOR (écran), suivis de la quatrième mention MENU ESTESO (menu étendu) ; cette mention permet d'étendre le nombre de menus affichés. En sélectionnant MENU ESTESO une fenêtre pop-up s'affichera, demandant de saisir un clé d'accès (PASSWORD, mot de passe) . La clé d'accès (PASSWORD) correspond à la combinaison de touches utilisée pour l'accès direct (comme illustré au Tableau 8) et permet d'étendre l'affichage des menus du menu correspondant à la clé d'accès à tous ceux qui ont une priorité moindre.

L'ordre des menus est le suivant : Utilisateur, Écran, Point de Paramétrage, Manuel, Installateur, Assistance Technique.

Lorsqu'une clé d'accès est sélectionnée, les menus débloqués restent disponibles pendant 15 minutes, ou jusqu'à ce qu'ils soient désactivés manuellement à l'aide de la mention « Nascondi menù avanzati » (cacher les menus avancés), qui est affichée dans la sélection des menus lorsque la clé d'accès est utilisée.

La Figure 14 illustre un schéma de fonctionnement pour la sélection des menus.

Les menus se trouvent au centre de la page ; l'utilisateur y accède par la droite en sélectionnant directement une combinaison de touches, par la gauche à travers le système de sélection à menus déroulants.

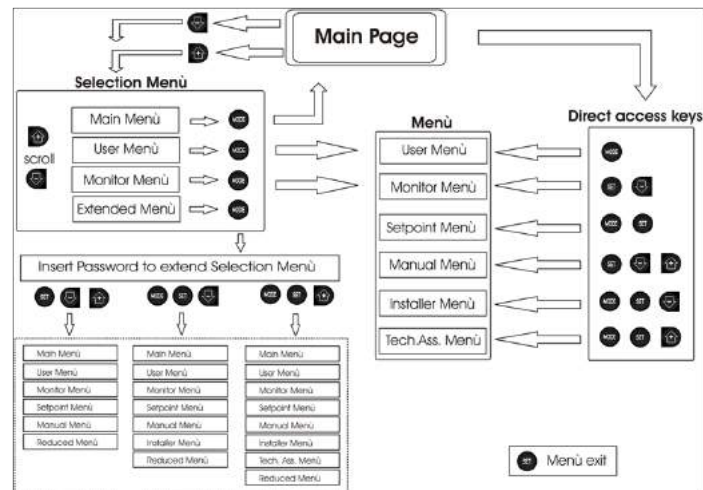


Figure 14: Schéma des accès possibles au menu

## 4.3 - Structure des pages de menu

Au démarrage, des pages de présentation sont affichées : elles comprennent le nom du produit et le logo, puis passent à un menu principal. Le nom de chaque menu, quel qu'il soit, apparaît toujours en-haut de l'écran. La page principale comprend toujours.

État: état de fonctionnement (par ex. veille, go, panne)

Tours moteur: valeur en [rpm]



**Pression:** valeur en [bar] ou [psi] en fonction de l'unité de mesure paramétrée.

**Puissance:** valeur en [kW] de la puissance absorbée par le dispositif.

Si l'événement a lieu, les mentions suivantes peuvent s'afficher:

Indications de panne

Indications d'avertissement

Icônes spécifiques

Les conditions d'erreur sont indiquées dans le Tableau 8. Les autres types de messages sont indiqués dans le Tableau 4.

Conditions d'erreur et d'état affichées	
Identifiant	Description
GO	Moteur en marche
SB	Moteur arrêté
DIS	État moteur désactivé manuellement
F4	Etat/alarme Fonction signal de basse pression en aspiration
EE	Écriture et relecture sur EE des paramétrages du fabricant
AVERT. Tension faible	Avertissement de manque de tension d'alimentation

Tableau 4: Messages d'état et erreur sur la page principale

Les autres pages des menus varient selon les fonctions associées et sont décrites ci-après par type d'indication ou de paramétrage. Après être entré dans un menu, le bas de la page affiche toujours une synthèse des principaux paramètres de fonctionnement (état de marche ou panne éventuelle, vitesse sélectionnée et pression).

Cela permet de toujours voir les paramètres fondamentaux de la machine.

MENU PT CONSIGNE		
SP	Pression de consigne	
	<b>3,0 bar</b>	
GO	2000 rpm	3,0 bar

Figure 16 : Affichage d'un paramètre de menu

Indications dans la barre d'état au bas de chaque page	
Identifiant	Description
GO	Moteur en marche
SB	Moteur arrêté
Désactivé	État moteur désactivé manuellement
rpm	Tours/min du moteur
bar	Pression de l'installation
FAULT	Présence d'une erreur qui empêche de piloter l'électropompe

Tableau 5: Indications dans la barre d'état

Les pages qui affichent les paramètres peuvent indiquer: les valeurs numériques et unités de mesure de la mention actuelle, les valeurs d'autres paramètres liés à la mention actuelle, la barre graphique, les listes: voir Figure 15.

#### 4.4 - Blocage paramètres par mot de passe

Le dispositif comprend un système de protection par mot de passe Si un mot de passe est prévu, les paramètres du dispositif seront accessibles et visibles, mais ils ne pourront pas être modifiés.

Le système de gestion du mot de passe se trouve dans le menu « assistenza tecnica » (assistance technique) et est géré à l'aide du paramètre PW.

#### 4.5 - Habilitation et désactivation du moteur

Dans des conditions de fonctionnement normal, la pression et le relâchement des touches « + » et « - » comporte le blocage/déblocage du moteur (également mémorisé suite à l'arrêt). Si une panne de l'alarme est présente, cette opération remet également l'alarme à zéro.

Lorsque le moteur est désactivé, cet état est indiqué par le DEL blanc clignotant.

Cette commande peut être activée à partir de toutes les pages du menu, sauf RF et PW.

## 5 - SIGNIFICATION DES DIFFÉRENTS PARAMÈTRES



L'inverseur fait travailler le système à pression constante. Ce réglage est apprécié si le circuit hydraulique en aval du système est dûment dimensionné. Les installations effectuées avec des conduits de section trop petite introduisent des pertes de charge que l'appareil ne peut pas compenser ; il en résulte que la pression est constante sur les capteurs, mais pas sur l'utilisateur.



Les installations excessivement déformables peuvent provoquer des oscillations ; dans ce cas, le problème peut être résolu en agissant sur les paramètres de contrôle « GP » et « GI » (voir parag. 5.6.3 - GP : Coefficient de gain proportionnel et 5.6.4 - GI : Coefficient de gain intégral).

### 5.1 - Menu Utilisateur

Depuis le menu principal, appuyer sur la touche MODE (ou utiliser le menu de sélection, puis appuyer sur + ou -), pour accéder au MENU UTILISATEUR. Dans le menu, la touche MODE permet de faire défiler les différentes pages du menu. Les valeurs affichées sont les suivantes.

#### 5.1.1 - État:

Affiche l'état de la pompe.

#### 5.1.2 - RS: Affiche l'état de la pompe

Vitesse de rotation du moteur, en rpm.

#### 5.1.3 - VP: Affichage de la pression

Pression de l'installation mesurée en [bar] ou [psi] en fonction de l'unité de mesure paramétrée.

#### 5.1.4 - VF: Affichage du flux

Affiche le flux instantané en [litres/min] ou [gal/min], selon l'unité de mesure paramétrée.

#### 5.1.5 - PO: Affichage de la puissance absorbée

Puissance absorbée par l'électropompe en [kW].

En cas de dépassement de la puissance maximale autorisée, le témoin PO clignote.

#### 5.1.6 - C1: Affichage du courant de phase

Courant de phase du moteur en [A].

En cas de dépassement du courant maximal autorisé, le témoin C1 clignote pour signaler que la protection contre la surintensité est sur le point d'intervenir.

#### 5.1.7 - SV: Tension d'alimentation

Présent uniquement sur certains modèles.

#### 5.1.8 - SR: Plage d'alimentation

Présent uniquement sur certains modèles.

Indique la plage de la tension d'alimentation détectée. Peut prendre les valeurs : [110-127] V ou [220-240] V. Si la plage n'a pas été déterminée, prend la valeur « - - ».

#### 5.1.9 - TE: Affichage de la température du dissipateur

#### 5.1.10- PKm: Pression mesurée à l'aspiration

Présent uniquement sur les modèles avec fonctionnalité Kiwa.

#### 5.1.11 - Heures de fonctionnement et nombre de démarrages

Cette valeur indique, sur trois lignes, le nombre d'heures d'alimentation électrique du dispositif, les heures de travail de la pompe et le nombre d'allumages du moteur.

#### 5.1.12 - PI: Histogramme de la puissance

Affiche un histogramme de la puissance distribuée sur 5 barres verticales. L'histogramme indique le temps durant lequel la pompe a été allumée et un niveau de puissance donné. L'axe horizontal comprend les barres à différents niveaux de puissance ; l'axe vertical représente le temps durant lequel la pompe a été allumée au niveau de puissance spécifique (% de temps par rapport au total).

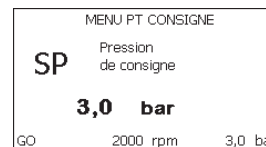


Figure 16 : Affichage d'un paramètre de menu

**5.1.13 - Débit**

La page représente deux fluxmètres, le premier indique le débit total distribué par la machine, et le second est un compteur partiel qui peut être remis à zéro par l'utilisateur. Le compteur partiel peut être remis à zéro sur cette page en appuyant durant 2 sec. sur le bouton " - ".

**5.1.14 - VE: Affichage de la version**

Version matérielle et logicielle dont l'appareil est doté.

Pour les versions 2.7.0 et les versions ultérieures du firmware, les points suivants s'appliquent: Sur cette page suivant le préfixe S : les 5 derniers chiffres du numéro de série unique attribué pour la connectivité sont affichés. Le numéro de série complet peut être affiché en appuyant sur la touche "+".

**5.1.15- FF: Affichage pannes et avertissements (historique)**

Affichage chronologique des pannes qui sont survenues durant le fonctionnement du système.

Sous le symbole FF figurent deux chiffres, x/y, qui indiquent respectivement par x la panne affichée et par y le nombre total de pannes présentes ; à droite de ces chiffres figure une indication sur le type de défaut affiché. Les touches + et - font défiler la liste des pannes ; appuyer sur - pour remonter l'historique jusqu'à la panne la plus ancienne enregistrée, appuyer sur + pour avancer dans l'historique jusqu'à la plus récente.

Les pannes sont affichées en ordre chronologique, à partir de celle qui s'est affichée il y a le plus longtemps  $x=1$  à la plus récente  $x=y$ . Le nombre maximum de pannes affichables est 64 : arrivé à ce chiffre, les plus anciennes commencent à être écrasées.

Cette mention du menu affiche la liste des pannes mais ne permet pas de les remettre à zéro. La remise à zéro ne peut être faite qu'à l'aide de la commande de la mention RF du MENU ASSISTANCE TECHNIQUE.

Ni une remise à zéro manuelle, ni un arrêt de l'appareil, ni une remise à zéro des valeurs du constructeur n'effacent l'historique des pannes. Seule la procédure décrite ci-dessus permet d'effectuer cette opération.

**5.2 - Menu Écran**

Pour accéder au MENU MONITEUR, à partir du menu principal, garder appuyés simultanément pendant 2 sec les touches « SET » et « - » (moins)

ou à l'aide du menu de sélection appuyer sur + ou -.

Dans le menu, appuyer sur la touche MODE pour afficher en séquence les valeurs suivantes.

**5.2.1 - CT: Contraste écran**

Règle le contraste de l'écran.

**5.2.2 - BK: Luminosité de l'écran**

Règle l'éclairage de fond de l'écran sur une échelle de 0 à 100.

**5.2.3 - TK: Temps d'allumage éclairage de fond**

Règle le temps d'allumage de l'éclairage de fond depuis la dernière touche appuyée.

Valeurs admissibles : de 20 sec à 10 min ou "toujours allumée".

Lorsque l'éclairage de fond est éteinte, la première pression de toute touche a pour seul effet de rétablir l'éclairage de fond.

**5.2.4 - LA: Langue**

Affichage de l'une des langues suivantes :

- Italien
- Anglais
- Français
- Allemand
- Espagnol
- Hollandais
- Suédois
- Turc
- Slovaque
- Roumain
- Russe
- Thaï

**5.2.5 - TE: Affichage de la température du dissipateur****5.3 - Menu de Paramétrage**

Depuis le menu principal, garder appuyées simultanément les touches « MODE » et « SET » jusqu'à ce que l'écran affiche « SP » (ou utiliser le menu de sélection en appuyant sur + ou -). Les touches + et - permettent respectivement d'augmenter et de diminuer la pression de pressurisation de l'installation. Pour sortir du menu actuel et revenir au menu principal, appuyer sur SET. La plage de réglage est 1-5.5 bar (14-80 psi).

### 5.3.1 - SP: Réglage de la pression de paramétrage

Pression à laquelle l'installation est pressurisée.



La pression de redémarrage de la pompe est liée à la pression paramétrée SP ainsi que qu'à la valeur de RP.

RP exprime la diminution de pression par rapport à « SP », qui provoque le démarrage de la pompe.

*Exemple : SP = 3,0 [bar] ; RP = 0,3 [bar];*

*Durant le fonctionnement normal, l'installation est pressurisée à 3,0 [bar].*

*Le redémarrage de l'électropompe a lieu quand la pression descend sous 2,7 [bar].*



Le paramétrage d'une pression (SP) trop élevée par rapport aux prestations de la pompe peut provoquer de fausses erreurs pour manque d'eau BL ; dans ces cas, baisser la pression paramétrée.

### 5.4 - Menu Manuel



En fonctionnement manuel, la somme de la pression en entrée et la pression d'alimentation maximum possible ne doit pas dépasser 6 bar.

Depuis le menu principal, garder appuyées simultanément les touches « SET » et « + » ou « - » jusqu'à ce que la page du menu manuel s'affiche (ou utiliser le menu de sélection en appuyant sur + ou -).

Pour sortir du menu actuel et revenir au menu principal, appuyer sur SET. L'entrée dans le menu manuel en appuyant sur les touches SET, + et -, porte la machine en état de STOP forcé. Cette fonctionnalité peut être utilisée pour imposer l'arrêt à la machine.

En modalité manuelle, quel que soit le paramètre affiché, il est toujours possible d'exécuter les commandes suivantes :

Démarrage temporaire de l'électropompe

La pression simultanée des touches MODE et + provoque le démarrage de la pompe à la vitesse RI et l'état de marche se poursuit tant que les touches restent appuyées.

Quand la commande pompe ON ou pompe OFF est actionnée, la communication est donnée à l'écran.

*Démarrage de la pompe*

La pression simultanée des touches MODE - + pendant 2 sec. provoque le démarrage de la pompe à la vitesse RI. L'état de marche reste activé jusqu'à ce que la touche SET soit appuyée. Par la suite, la pression de SET permet de sortir du menu manuel. Quand la commande pompe ON ou pompe OFF est actionnée, la communication est donnée à l'écran.

Si ce mode de fonctionnement se prolonge durant plus de 5' sans flux hydraulique, la machine se place en alarme pour surchauffe et signale l'erreur PH. Une fois l'erreur PH déclenchée, le réarmement peut uniquement s'effectuer en mode automatique. Le temps de réarmement est de 15' ; en cas d'erreur PH déclenchée plus de 6 fois de suite, le temps de réarmement augment à 1 h. Après réarmement, la pompe reste en stop jusqu'à son redémarrage au moyen des touches "MODE" "-" "+".

#### 5.4.1 - État:

Affiche l'état de la pompe.

#### 5.4.2 - RI: Paramétrage vitesse

Règle la vitesse du moteur en rpm. Permet de forcer le nombre de tours à une valeur pré-établie.

#### 5.4.3 - VP: Affichage de la pression

Pression de l'installation mesurée en [bar] ou [psi] en fonction de l'unité de mesure paramétrée.

#### 5.4.4 - VF: Affichage du flux

Affiche le débit dans l'unité de mesure choisie. L'unité de mesure peut être [l/min] ou [gal/min], voir parag. 5.5.3 - MS : Système de mesure.

#### 5.4.5 - PO: Affichage de la puissance absorbée

Puissance absorbée par l'électropompe en [kW].

En cas de dépassement de la puissance maximale autorisée, le témoin PO clignote.

#### 5.4.6 - C1: Affichage du courant de phase

Courant de phase du moteur en [A].

En cas de dépassement du courant maximal autorisé, le témoin C1 clignote pour signaler que la protection contre la surintensité est sur le point d'intervenir.

#### 5.4.7 - RS: Affichage de la vitesse de rotation

Vitesse de rotation du moteur, en rpm.

#### 5.4.8 - SV: Tension d'alimentation

Présent uniquement sur certains modèles.

#### 5.4.9 -SR: Plage d'alimentation

Présent uniquement sur certains modèles.

Indique la plage de la tension d'alimentation détectée. Peut prendre les valeurs : [110-127] V ou [220-240] V. Si la plage n'a pas été déterminée, prend la valeur « - - ».

#### 5.4.10 - TE: Affichage de la température du dissipateur

#### 5.5 - Menu Installateur

Depuis le menu principal, garder appuyées simultanément les touches « MODE » et « SET » et « - » jusqu'à ce que le premier paramètre du menu installateur s'affiche à l'écran (ou utiliser le menu de sélection en appuyant sur + ou -). Le menu permet d'afficher et de modifier les différents paramètres de configuration : la touche MODE permet de faire défiler les pages du menu, les touches + et - permettent respectivement d'augmenter et de diminuer la valeur du paramètre en objet. Pour sortir du menu actuel et revenir au menu principal, appuyer sur SET.

#### 5.5.1 - RP: Paramétrage de la diminution de pression pour redémarrage

Exprime la diminution de pression par rapport à la valeur de SP qui lance le redémarrage de la pompe. Par exemple, si la pression de paramétrage est de 3,0 [bar] et que RP est de 0,5 [bar], le redémarrage se fait à 2,5 [bar]. RP peut être paramétré d'un minimum de 0,1 à un maximum de 1 [bar]. Dans certaines conditions particulières (par exemple lors d'un point de paramétrage inférieur au RP), il peut être limité automatiquement. Pour faciliter les opérations de l'utilisateur, la page de paramétrage de RP affiche également, en la surlignant sous le symbole RP, la pression effective de redémarrage, comme indiqué à la Figure 17.

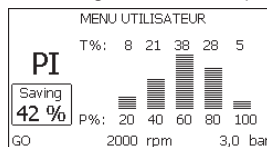


Figure 17 : Affichage de l'histogramme de puissance

#### 5.5.2 - OD: Type d'installation

Valeurs possibles de 1 et 2 pour une installation rigide et une installation élastique.

À la sortie de l'atelier du constructeur, le dispositif est paramétré sur la modalité 1, qui est adaptée à la plupart des installations. Si la pression présente des oscillations qui ne peuvent pas être stabilisées à l'aide des paramètres GI et GP, passer à la modalité 2.

**IMPORTANT :** Les valeurs des paramètres de réglage GP et GI changent dans les deux configurations. De plus, les valeurs de GP et GI paramétrées en modalité 1 sont contenues dans une mémoire différente de celles des valeurs de GP et GI paramétrées en modalité 2. Ainsi, lorsque l'on passe à la modalité 2, la valeur de GP de la modalité 1 est remplacée par la valeur de GP de la modalité 2, mais elle est conservée et revient quand on revient en modalité 1. Une même valeur affichée à l'écran a une importance différente dans les deux modalités, car l'algorithme de contrôle est différent.

#### 5.5.3 - MS: Système de mesure

Établit le système d'unité de mesure, international ou anglo-américain. Les valeurs affichées figurent dans le Tableau 6.

**REMARQUE:** Le débit en unité de mesure anglo-américain (gal/ min) est indiqué en adoptant un facteur de conversion équivalent à un 1 gal = 4,0 litres, correspondant au gallon métrique.

Unités de mesure affichées		
Valeur	Unité de mesure Internationale	Unité de mesure anglo-américain
Pression	bar	psi
Température	°C	°F
Flux	l / min	gal / min

Tableau 6: Système d'unité de mesure

### 5.5.4 - AS: Association de dispositifs

Permet d'entrer en modalité connexion/déconnexion avec les dispositifs suivants:

- D-CONNECT BOX - Passerelle de communication.
- Autres dispositifs compatibles éventuels.

Dans la page AS s'affichent les icônes des différents dispositifs raccordés avec en-dessous un acronyme les identifiant et la puissance de réception correspondante.

Une icône allumée fixe indique que le dispositif branché fonctionne correctement; une icône barrée indique que le dispositif est configuré comme faisant partie du réseau mais que sa présence n'est pas relevée.



Cette page n'affiche pas tous les dispositifs présents, mais uniquement ceux qui sont associés à notre réseau.

Le fait de ne voir que les dispositifs de son propre réseau permet de faire fonctionner plusieurs réseaux analogues coexistants dans le rayon d'action du système sans fil sans créer d'ambiguïté. Ainsi, l'utilisateur ne voit pas les dispositifs qui ne correspondent pas au système de pompage.

Cette page de menu permet d'associer et de dissocier un élément du réseau sans fil personnel. Lorsque la machine est démarrée, la mention du menu AS ne présente aucune connexion, car aucun dispositif n'est associé. Dans ces conditions le message « Non Dev » s'affiche et la del COMM est éteinte. Seule une action de l'opérateur permet d'ajouter ou d'éliminer des dispositifs par les opérations d'association et de dissociation.

#### Association de dispositifs

La pression de « + » pendant 5 secondes met la machine en état de recherche pour l'association sans fil. Cet état est indiqué par la DEL COMM clignotant à intervalles réguliers. Dès que deux machines du champ de communication utile sont mises dans cet état, si cela est possible elles s'associent entre elles. Si l'association n'est pas possible pour une machine ou pour les deux, la procédure se termine et une fenêtre pop-up apparaît sur chaque machine, indiquant « association non faisable ». Une association peut ne pas être possible car le dispositif que l'on essaie d'associer est déjà présent dans le nombre maximum ou parce que le dispositif

à associer n'est pas reconnu. Dans ce dernier cas, répéter la procédure depuis le début.

L'état de recherche par association reste actif jusqu'au relevage du dispositif à associer (indépendamment du résultat de l'association); si aucun dispositif n'est trouvé en 1 minute, le système sort automatiquement de l'état d'association. L'utilisateur peut sortir à tout moment de l'état de recherche par association sans fil en appuyant sur SET ou MODE.

#### Dissociation de dispositifs

Pour dissocier un dispositif appartenant à un groupe déjà existant, aller dans la page AS (menu installateur) du dispositif en question et appuyer sur la touche – pendant au moins 5 secondes.

Suite à cette opération toutes les icônes relatives aux dispositifs connectés seront remplacées par le message « Non Dev » et la del COMM. restera éteinte.

#### Remplacement des dispositifs

Pour remplacer un dispositif dans un groupe existant, il suffit de dissocier le dispositif à remplacer et d'associer le nouveau dispositif suivant les procédures qui précèdent.

S'il n'est pas possible de dissocier l'élément à remplacer (panne ou non disponible) il faudra effectuer la procédure de dissociation de chaque dispositif et recréer un nouveau groupe.

### 5.5.5 - EK: Réglage fonction basse pression en aspiration

Présent uniquement sur les modèles avec fonctionnalité Kiwa. Règle la fonction basse pression en aspiration.

Valeur	Fonction
0	désactivée
1	habilitée avec réinitialisation automatique
2	habilitée avec réinitialisation manuelle

### 5.5.6 - PK: Seuil basse pression en aspiration

Présent uniquement sur les modèles avec fonctionnalité Kiwa.

Règle le seuil de pression sous lequel le blocage pour basse pression en aspiration est enclenché.

### 5.5.7 - T1: Temporisation basse pression (fonction de relevage basse pression en aspiration)

Présent uniquement sur les modèles avec fonctionnalité Kiwa.

Règle le temps nécessaire pour éteindre l'inverseur et démarrer à partir du relevage de basse pression en aspiration (voir le réglage du relevage de basse pression en aspiration parag. 5.7).

T1 peut être réglé de 0 à 12 s. Le réglage du fabricant est 2 s.

### 5.6 - Menu Assistance technique

Il s'agit de paramétrages avancés qui ne doivent être effectués que par du personnel spécialisé ou sous le contrôle direct du réseau d'assistance. Dans le menu principal, garder appuyées simultanément les touches « MODE » et « SET » jusqu'à ce que « TB » s'affiche à l'écran (ou utiliser le menu de sélection en appuyant sur + ou -). Le menu permet d'afficher et de modifier les différents paramètres de configuration : la touche MODE permet de faire défiler les pages du menu, les touches + et - permettent respectivement d'augmenter et de diminuer la valeur du paramètre en question. Pour sortir du menu actuel et revenir au menu principal, appuyer sur SET.

#### 5.6.1 - TB: Temps de blocage manque d'eau

Le paramétrage du temps de latence du blocage pour manque d'eau permet de sélectionner le temps (en secondes) nécessaire au dispositif pour signaler le manque d'eau.

La variation de ce paramètre peut être utile quand une temporisation est connue entre le moment où le moteur est allumé et le moment où la distribution commence effectivement. Cela survient par exemple lorsqu'une installation comprend un conduit d'installation particulièrement long et qu'il comprend une petite fuite. Dans ce cas le conduit en question peut se décharger, et même si l'eau ne manque pas l'électropompe a besoin d'un certain temps pour se recharger, distribuer le débit et envoyer la pression dans le système.

#### 5.6.2 - T2: Temporisation de l'arrêt

Il paramètre le temps après lequel l'inverseur doit s'éteindre à partir du moment où les conditions d'arrêt sont atteintes : pressurisation de l'installation et débit inférieur au débit minimum.

T2 peut être paramétrée de 2 à 120 sec. Le paramétrage du constructeur est de 10 sec.

### 5.6.3 - GP: Coefficient de gain proportionnel

Le terme proportionnel doit généralement être augmenté pour les systèmes caractérisés par l'élasticité (par exemple des conduits en PVC) et diminué si l'installation est rigide (par exemple des conduits en fer). Pour maintenir la constance de la pression de l'installation, l'inverseur réalise un contrôle de type PI sur l'erreur de pression mesurée. En fonction de cette erreur, l'inverseur calcule la puissance à fournir au moteur. Le comportement de ce contrôle dépend des paramètres GP et GI réglés. Pour répondre aux différents comportements des différents types d'installations hydrauliques dans lesquels le système peut travailler, l'inverseur permet de sélectionner des paramètres autres que ceux qui ont été établis par le fabricant. Pour la plupart des installations, les paramètres GP et GI du constructeur sont les paramètres optimaux. Toutefois, si des problèmes de réglage apparaissent, l'utilisateur peut intervenir sur ces paramètres.

#### 5.6.4 - GI: Coefficient de gain intégral

En présence de grandes chutes de pression lorsque le flux augmente brusquement ou si le système répond lentement à l'augmentation de la valeur de GI. Au lieu de l'apparition d'oscillations de pression autour de la valeur de paramétrage, réduire la valeur de GI.

**IMPORTANT** : Pour obtenir des réglages de pression satisfaisants, il faut généralement intervenir aussi bien sur le paramètre GP que GI.

#### 5.6.5 - RM: Vitesse maximale

Elle impose une limite maximum au nombre de tours de la pompe.

#### 5.6.6 - AY: Anti Cycling

Comme décrit au paragraphe 9, cette fonction permet d'éviter les allumages et arrêts fréquents en cas de fuites dans l'installation. La fonction peut être habilitée en 2 modalités différentes : normale et smart. En modalité normale, le contrôle électronique bloque le moteur après N cycles de démarrage et arrêt identiques. En modalité smart, elle agit sur le paramètre RP afin de réduire les effets négatifs dus aux fuites. Si elle est paramétrée sur « Désactivée » la fonction n'intervient pas.

#### 5.6.7 - AE: Habilitation de la fonction d'anti-blocage

Cette fonction permet d'éviter les blocages mécaniques en cas d'inactivité prolongée ; elle agit en mettant périodiquement la pompe en rotation. Lorsque cette fonction est activée, la pompe effectue toutes les 23 heures un cycle de déblocage d'1 min.

### 5.6.8 - AF: Habilitation de la fonction d'antigel

Si cette fonction est habilitée, la pompe est automatiquement mise en rotation lorsque la température atteint des valeurs proches de la température de gel, afin d'éviter les ruptures de la pompe.

### 5.7- Réglage du relevage de basse pression en aspiration (typiquement utilisé dans les systèmes de redémarrage raccordés à l'aqueduc)

Présent uniquement sur les modèles avec fonctionnalité Kiwa.

La fonction de relevage basse pression génère le blocage du système après le temps T1 (voir 5.5.6 - T1: Temporisation basse pression).

Lorsque cette fonction est activée, le symbole F4 est affiché sur la page principale.

L'intervention de cette fonctionnalité entraîne le blocage de la pompe, qui peut être éliminé en mode automatique ou manuel. La réinitialisation automatique prévoit que pour sortir de la condition d'erreur F4, la pression revienne à une valeur supérieure de 0,3 bar par rapport à PK pendant au moins 2 s. Pour réinitialiser le blocage en mode manuel, enfoncer simultanément les boutons "+" et "-" puis les relâcher.

### 5.8 - RF: Remise à zéro des pannes et avertissements

En gardant appuyées simultanément, pendant 2 secondes au moins, les touches + et -, la chronologie des pannes et avertissements est effacée. Le nombre de pannes présentes dans l'historique (max. 64) est indiqué sous le symbole RF. L'historique peut être affiché à partir du menu ÉCRAN de la page FF.

#### 5.8.1 - PW: Modifica password

Le dispositif comprend un système de protection par mot de passe. Si un mot de passe est prévu, les paramètres du dispositif seront accessibles et visibles, mais ils ne pourront pas être modifiés.

Lorsque le mot de passe (PW) est sur « 0 », tous les paramètres sont débloqués et peuvent être modifiés.

Lorsqu'un mot de passe est affiché (valeur de PW différent de 0) toutes les modifications sont bloquées et la page PW affiche « XXXX ».

Si un mot de passe est défini, l'utilisateur peut consulter toutes les pages, mais dès qu'il essaie de modifier un paramètre une fenêtre pop-up s'affiche et demande la saisie du mot de passe. Lorsque le bon mot de passe est saisi, les paramètres restent débloqués pendant 10' et peuvent alors

être modifiés à compter de la dernière pression d'un bouton.

Pour annuler la temporisation du mot de passe, aller à la page PW et appuyer simultanément sur + et - pendant 2".

Lorsque le bon mot de passe est saisi, l'écran présente un cadenas qui s'ouvre ; si le mot de passe saisi n'est pas correct, le cadenas clignote.

Après avoir ramené les valeurs du constructeur, le mot de passe revient à « 0 ».

Chaque changement de mot de passe est effectif quand MODE ou SET sont appuyés, et chaque modification successive d'un paramètre implique la nouvelle saisie du nouveau mot de passe (par ex. l'installateur règle tous les paramètres avec la valeur de PW par défaut = 0 puis règle le mot de passe de manière à être sûr que la machine est déjà protégée sans qu'une autre action ne soit nécessaire).

En cas d'oubli du mot de passe, les paramètres du dispositif peuvent être modifiés de deux façons:

- Prendre note de tous les paramètres, puis ramener le dispositif aux valeurs du constructeur comme indiqué au paragraphe 7.3. L'opération de remise à zéro efface tous les paramètres du dispositif, y compris le mot de passe.
- Prendre note du numéro figurant sur la page du mot de passe et envoyer ce numéro par courriel au centre d'assistance : le mot de passe pour débloquer le dispositif sera transmis en quelques jours.

## 6 - SYSTÈMES DE PROTECTION

Le dispositif est doté de systèmes de protection visant à préserver la pompe, le moteur, la ligne d'alimentation et l'inverseur. Si une ou plusieurs protections sont activées, celle qui a la priorité la plus élevée est immédiatement affichée à l'écran. Le moteur peut s'arrêter en fonction du type d'erreur, mais lorsque les conditions normales sont rétablies le statut d'erreur peut se remettre à zéro automatiquement soit immédiatement, soit après une certaine période suite à un réarmement automatique.

En cas de blocage dû à une manque d'eau (BL), de blocage dû à un courant excessif dans le moteur (OC), de blocage dû à un court-circuit entre les phases du moteur (SC), l'utilisateur peut tenter de sortir manuellement des conditions d'erreur en appuyant ou relâchant simultanément les touches + et -. Si la condition d'erreur perdure, il faut éliminer la cause de l'anomalie.



En cas de blocage provoqué par l'une des erreurs internes E18, E19, E20, E21 il faut attendre 15 minutes avec la machine alimentée pour obtenir le réarmement automatique de l'état de blocage.

Alarme de l'historique des pannes	
Indication à l'écran	Description
PD	Arrêt anormal
FA	Problèmes du système de refroidissement

Tableau 7: Alarmes

Conditions de blocage	
Indication à l'écran	Description
PH	Blocage pour surchauffe pompe
BL	Blocage pour manque d'eau
BP1	Blocage pour erreur de lecture sur le capteur de pression à l'arrivée
BP2	Blocage pour erreur de lecture sur le capteur de pression en aspiration
PB	Blocage pour tension d'alimentation hors-spécification
LP	Blocage pour tension DC basse
HP	Blocage pour tension DC élevée
OT	Blocage pour surchauffe des bornes de puissance
OC	Blocage pour courant excessif dans le moteur
SC	Blocage pour court-circuit entre les phases du moteur
ESC	Blocage pour court-circuit vers la mise à la terre

HL	Fluide chaud
NC	Blocage pour moteur débranché
Ei	Blocage pour erreur interne i-ème
Vi	Blocage pour tension d'interne i-ème hors-tolérance
EY	Blocage pour relevage de cycle anormal du système

Tableau 8: Indication des blocages

## 6.1 - Description des blocages

### 6.1.1 - « BL » Anti Dry-Run (protection contre le fonctionnement à sec)

En cas de manque d'eau, la pompe s'arrête automatiquement après le temps TB. Dans ce cas, le DEL rouge « Alarme » et la mention « BL » s'affichent à l'écran.

Après avoir rétabli le débit d'eau nécessaire, l'utilisateur peut tenter de sortir manuellement du blocage de protection en appuyant simultanément sur les touches « + » et « - », puis en les relâchant.

Si l'état d'alarme persiste, c'est-à-dire que l'utilisateur n'intervient pas en rétablissant le débit d'eau et en redémarrant la pompe, le redémarrage automatique tente de relancer la pompe.



Si le paramètre SP n'est pas réglé correctement, la protection pour manque d'eau peut ne pas fonctionner correctement.

### 6.1.2 - Anti-Cycling (protection contre les cycles continus sans demande de l'utilisateur)

Si des fuites sont présentes dans le tronçon de distribution, le système démarre et s'arrête de manière cyclique, même si le prélèvement d'eau n'est pas voulu: une fuite même minime (quelques ml) provoque une chute de pression qui provoque à son tour le démarrage de l'électropompe.

Le contrôle électronique est en mesure de relever la présence de fuites sur la base de sa périodicité.

La fonction anti-cycling peut être exclue ou activée en modalité Basic ou Smart (parag. 5.6.6). La modalité Basic prévoit l'arrêt de la pompe lorsque la condition de périodicité est relevée ; elle reste alors en attente d'une re-

mise à zéro manuelle. Cette condition est communiquée à l'utilisateur par l'affichage du DEL rouge « Alarme » et de la mention « ANTICYCLING » à l'écran. Après avoir éliminé la fuite, l'utilisateur peut forcer manuellement le redémarrage en appuyant et relâchant simultanément les touches « + » et « - ». La modalité Smart prévoit l'augmentation du paramètre RP lorsque la condition de fuite est relevée, afin de réduire le nombre d'allumages dans le temps.

### 6.1.3 - Anti-Freeze (protection contre le gel de l'eau dans le système)

Le passage de l'eau de l'état liquide à l'état solide comporte une augmentation de volume. Il s'agit donc d'éviter que le système ne reste plein d'eau lorsque les températures sont proches de celles du gel afin d'éviter la rupture de celui-ci. C'est la raison pour laquelle il est recommandé de vider toute électropompe lorsqu'elle n'est pas utilisée en hiver. Ce système est toutefois doté d'une protection qui empêche la formation de glace à l'intérieur : elle actionne l'électropompe lorsque la température baisse à des valeurs proches de celle du gel. L'eau qui se trouve à l'intérieur est donc chauffée et la glace ne peut pas se former.



La protection Anti-Freeze fonctionne uniquement si le système est correctement alimenté : si la fiche est débranchée ou en l'absence de courant, la protection ne peut pas fonctionner.

Il est en tout cas conseillé de ne pas laisser le système déchargé durant des périodes d'inactivité prolongée : vidanger soigneusement le système par le bouchon d'écoulement (Fig. 1 pan E) et le déposer dans un endroit abrité.

### 6.1.4 - «BP1» Blocage pour panne du capteur de pression à l'arrivée (pressurisation installation)

Si le dispositif relève une anomalie sur le capteur de pression en arrivée, la pompe reste bloquée et l'erreur « BP1 » est signalée. Cet état commence dès que le problème est relevé et se termine automatiquement lorsque les conditions nécessaires sont rétablies

### 6.1.5 - «BP2» Blocage pour panne du capteur de pression en aspiration

Si le dispositif relève une anomalie du capteur de pression en aspiration, la pompe reste bloquée et l'erreur « BP2 » est signalée. Cet état commence dès que le problème est relevé et provoque automatiquement le rétablissement des conditions adéquates.

### 6.1.6 - « PB » Blocage pour tension d'alimentation hors-spécification

Il a lieu lorsque la tension de ligne à la borne d'alimentation permise prend des valeurs hors-spécifications. Le rétablissement a lieu automatiquement lorsque la tension à la borne revient aux valeurs admises.

### 6.1.7 - « SC » Blocage pour court-circuit entre les phases du moteur

Le dispositif est doté d'une protection contre les court-circuits directs qui peuvent avoir lieu entre les phases du moteur. Lorsque cet état de blocage est signalé, l'utilisateur peut tenter de rétablir le fonctionnement en appuyant simultanément sur les touches + et -. Cette action n'a d'effet que lorsque 10 secondes ont passé à partir du moment où le court-circuit a eu lieu.

### 6.2 - Remise à zéro manuelle des conditions d'erreur

En état d'erreur, l'utilisateur peut effacer l'erreur en forçant une nouvelle tentative, en appuyant puis relâchant les touches + et -.

### 6.3 - Remise à zéro automatique des conditions d'erreur

Pour certains dysfonctionnements et conditions de blocage, le système effectue des tentatives de rétablissement automatique.

Le système de rétablissement automatique concerne en particulier :

- « BL » Blocage pour manque d'eau
- « PB » Blocage pour tension d'alimentation hors-spécification
- « OT » Blocage pour surchauffe des bornes de puissance
- « OC » Blocage pour courant excessif dans le moteur
- « BP » Blocage pour anomalie sur le capteur de pression

Si le système se bloque par exemple à cause d'un manque d'eau, le dispositif lance automatiquement une procédure d'essai afin de vérifier que la machine est effectivement à sec de manière définitive et permanente. Si, durant la séquence d'opérations, une tentative de rétablissement réussit (par exemple l'eau revient), la procédure s'interrompt et le dispositif revient au fonctionnement normal. Le tableau 9 indique les séquences des opérations effectuées par le dispositif pour les différents types de blocage.

Rétablissements automatiques sur les conditions d'erreur		
Indication à l'écran	Description	Séquence de rétablissement automatique
BL	Blocage pour manque d'eau	<ul style="list-style-type: none"> <li>- Une tentative toutes les 10 minutes, pour un total de 6 tentatives.</li> <li>- Une tentative par heure, pour un total de 24 tentatives.</li> <li>- Une tentative toutes les 24 heures, pour un total de 30 tentatives.</li> </ul>
PB	Blocage pour tension d'alimentation hors-spécification	<ul style="list-style-type: none"> <li>- Se remet à zéro quand la tension de spécification est rétablie.</li> </ul>
OT	Blocage pour surchauffe des bornes de puissance.	<ul style="list-style-type: none"> <li>- Se remet à zéro quand la température des bornes de puissance revient dans les valeurs de spécification.</li> </ul>
OC	Blocage pour courant excessif dans le moteur	<ul style="list-style-type: none"> <li>- Une tentative toutes les 10 minutes, pour un total de 6 tentatives.</li> <li>- Une tentative par heure, pour un total de 24 tentatives.</li> <li>- Une tentative toutes les 24 heures, pour un total de 30 tentatives.</li> </ul>

Tableau 9: Rétablissement automatique des blocages

## 7 - REMISE À ZÉRO ET PARAMÉTRAGES DU CONSTRUCTEUR

### 7.1 - Remise à zéro générale du système

Pour remettre le système à zéro, garder les 4 touches appuyées simultanément pendant 2 sec. Cette opération correspond au débranchement de l'alimentation. Attendre l'arrêt complet et ré-alimenter. La remise à zéro n'efface pas les paramètres mémorisés par l'utilisateur.

### 7.2 - Paramètres du constructeur

Le dispositif sort de l'atelier du constructeur avec une série de paramètres pré-établis qui peuvent être modifiés selon les exigences de l'utilisateur. Tout changement apporté aux paramètres est automatiquement sauvegardé dans la mémoire, et il est toujours possible de revenir aux paramètres du constructeur (voir Rétablissement des paramètres du constructeur, parag. 7.3 - Rétablissement des paramètres du constructeur).

### 7.3 - Rétablissement des paramètres du constructeur

Pour revenir aux paramètres du constructeur, éteindre le dispositif, attendre l'arrêt complet de l'écran (le cas échéant), appuyer sur les touches « SET » et « + » et les garder appuyées, puis alimenter ; relâcher les deux touches uniquement quand la mention « EE » est affichée. Dans ce cas, les paramètres du constructeur sont rétablis (il s'agit d'une écriture et d'une relecture sur EEPROM des paramètres du constructeur sauvegardés de manière permanente dans la mémoire FLASH). Lorsque le réglage de tous les paramètres est terminé, le dispositif revient à son fonctionnement normal.

NOTE : Lorsque les valeurs du constructeur sont rétablies, tous les paramètres qui caractérisent l'installation devront être rétablis (gains, pression de point de paramétrage, etc.), comme lors de la première installation.

Paramètres du constructeur			
Identifiant	Description	Valeur e.sybox mini <sup>3</sup>	Rappel Installation
BK	Luminosité afficheur	80%	
TK	T. allumage éclairage de fond	2 min	
LA	Langue	ENG	
SP	Pression de paramètre [bar]	2,7	
RI	Tours par minute en mode manuel [rpm]	3200	
OD	Type d'installation	1 (Rigide)	

RP	Réduction de pression pour redémarrage [bar]	0,3	
MS	Système de mesure	0 (International)*	
EK	Fonction basse pression en aspiration	1	
PK	Seuil basse pression en aspiration [bar]	1,0	
TB	Temps de blocage manque d'eau [s]	15	
T1	Temporisation basse pr. [s]	2	
T2	Temporisation de l'arrêt [s]	10	
GP	Coefficient de gain proportionnel	0,5	
GI	Coefficient de gain intégral	1,2	
RM	Vitesse maximale	7000	
AE	Fonction anti-blocage	0 (Désactivé)	
AF	Antigel	0 (Désactivé)	
PW	Modification du mot de passe	0	
AY	Fonction Anticycling AY	0 (Désactivé)	

\*: pour des produits destinés à des marchés spécifiques la valeur d'usine du système de mesure MS peut être 1 (anglosaxon).

Tableau 10: Paramètres du constructeur

## 8 - INSTALLATIONS SPÉCIALES

### 8.1 - Désactivation de l'amorçage automatique

Le produit est construit et fourni doté de la possibilité de s'amorcer automatiquement. En référence au parag. 4, le système est en mesure d'amorcer, et donc de fonctionner, quelle que soit la configuration d'installation choisie : sous niveau ou sur niveau. Toutefois, dans certains cas la capacité d'amor-

çage automatique n'est pas nécessaire, ou certains lieux interdisent l'utilisation de pompe à amorçage automatique. Durant l'amorçage, la pompe oblige une partie de l'eau déjà sous pression à revenir vers la partie en aspiration jusqu'à atteindre la valeur de pression de distribution à laquelle on peut dire que le système est amorcé. Le conduit de recirculation est alors automatiquement fermé. Cette phase se répète à chaque allumage, même lorsque la pompe est amorcée, jusqu'à ce que la valeur de pression de fermeture du conduit de recirculation soit atteinte (1 bar environ).

Lorsque l'eau arrive à l'aspiration déjà sous pression (maximum admissible 2 bar) ou si l'installation est toujours sous niveau, il est possible (voire obligatoire, lorsque les réglementations locales l'imposent) de forcer la fermeture du conduit de recirculation et donc de perdre la capacité d'amorçage automatique. On obtient ainsi l'avantage d'éliminer le bruit de dé clic de l'obturateur du conduit à chaque allumage du système.

Pour forcer la fermeture du conduit d'amorçage automatique, suivre les étapes suivantes:

1. débrancher l'alimentation électrique;
2. vidanger le système (si l'on ne choisit pas de désactiver l'amorçage à la première installation);
3. retirer malgré tout le bouchon de vidange sur le pan E, en veillant à ne pas faire tomber le joint torique (Fig.18);
4. à l'aide d'une pince, extraire l'obturateur de son siège. L'obturateur sera extrait avec le joint torique et le ressort métallique auxquels il est assemblé;
5. retirer le ressort de l'obturateur; remettre l'obturateur en place avec le joint torique (côté avec garniture vers l'intérieur de la pompe, tige avec les lames en croix vers l'extérieur);
6. visser le bouchon après avoir placé le ressort métallique à l'intérieur afin qu'il soit comprimé entre le bouchon et les lames et croix de la tige de l'obturateur. Lors de la remise en place du bouchon, veiller à ce que le joint torique soit toujours correctement en place;
7. charger la pompe, connecter l'alimentation électrique, démarrer le système.

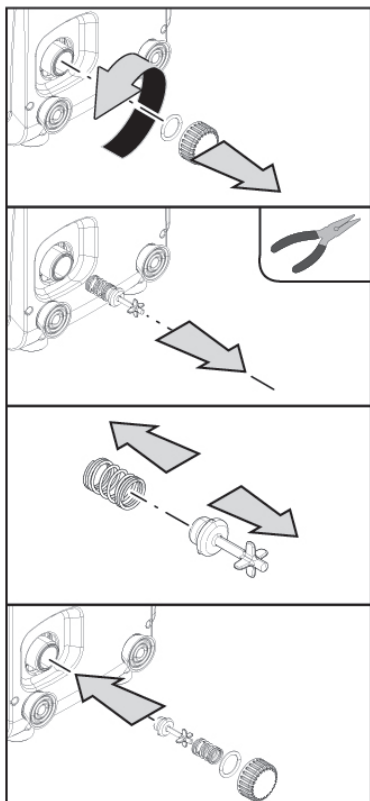


Figure 18

### 8.2 - Installation murale

Ce produit est déjà prédisposé pour l'installation murale, à l'aide du kit accessoire DAB à acheter séparément. L'installation murale se présente comme à la Fig. 19.

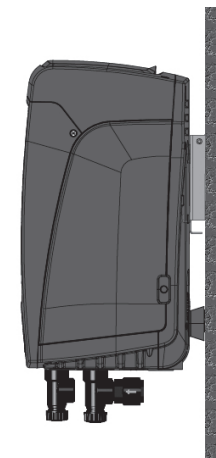


Figure 19

## 9. ENTRETIEN



Avant d'entamer la moindre intervention sur le système, débrancher l'alimentation électrique.

Le système ne nécessite aucune opération d'entretien ordinaire.

Toutefois, nous reportons ici les instructions nécessaires aux opérations d'entretien extraordinaire qui pourraient s'avérer nécessaires dans certains cas (par ex. la vidange du système avant une période d'inactivité prolongée).

### 9.1 - Outil accessoire

DAB accompagne le produit d'une clé métallique à section hexagonale (Fig.20) qui permet d'effectuer certaines opérations de maintenance extraordinaire ou prévues durant l'installation.

En particulier, utiliser cette clé pour l'opération d'orientation du panneau d'interface décrite au parag. 2.2.2 ou pour ouvrir la porte du logement à côté du panneau d'interface.

En cas de perte ou d'endommagement de la clé, l'opération peut être effectuée à l'aide d'une clé hexagonale standard de 2mm.



Figura 20

## 9.2 - Vidange du système

Pour vidanger l'eau présente dans le système, procéder comme suit:

1. débrancher l'alimentation électrique;
2. ouvrir le robinet le plus proche du système afin de couper la pression de l'installation et la vider la plus possible;
3. si une vanne d'interception est présente immédiatement en aval du système (il est toujours conseillé de la prévoir), la fermer afin de ne pas faire couler l'eau de l'installation entre le système et le premier robinet ouvert;
4. interrompre le conduit d'aspiration au point le plus proche du système (il est toujours conseillé de prévoir une vanne d'interception immédiatement en amont du système) afin de ne pas vider toute l'installation d'aspiration;
5. étirer le bouchon d'écoulement (fig.1 pan E pour la configuration verticale ; fig.1 pan C pour la configuration horizontale) et laisser s'écouler l'eau qui se trouve à l'intérieur (1.5 litres environ);
6. l'eau qui se trouve dans le circuit de distribution en aval du clapet de

non-retour intégré dans le système peut s'écouler au moment où le système est séparé, ou en retirant le bouchon de la seconde distribution (si elle n'est pas utilisée).



Bien qu'étant essentiellement déchargé, le système ne parvient pas à vidanger la totalité d'eau qu'il contient. Lors de la manipulation du système suite à la vidange, il est probable que de petites quantités d'eau s'écoulent du système lui-même.

## 9.3 - Clapet de non-retour

Le système comprend un clapet de non-retour intégré nécessaire à son bon fonctionnement. La présence de corps solides ou de sable dans l'eau pourrait provoquer le dysfonctionnement du clapet et donc du système. Bien qu'il soit recommandé d'utiliser de l'eau claire et de prévoir éventuellement des filtres à l'entrée, en cas de fonctionnement anormal du clapet de non-retour, séparer celui-ci du système, le nettoyer et/ou le remplacer en procédant comme suit:

1. retirer la porte d'accès au logement de maintenance extraordinaire (Fig.1 pan F) en dégageant les 2 vis de fermeture à l'aide de l'outil accessoire. Il est conseillé de ne pas retirer entièrement les vis, afin de les utiliser pour extraire la porte. Veiller à ne pas faire tomber les vis dans le système lorsque la porte est démontée (Fig.21);
2. à l'aide d'un tournevis, retirer le bouchon de 1"1/4 afin de pouvoir accéder au clapet de non-retour (Fig.21);
3. à l'aide d'une pince, extraire, sans pivoter, la cartouche du clapet de non-retour en faisant levier sur le pont prévu à cet effet (Fig.21); l'opération pourrait requérir une certaine force ;
4. nettoyer la vanne à l'eau courante, vérifier qu'elle n'est pas endommagée et éventuellement la remplacer ;
5. introduire à nouveau la cartouche complète dans son logement : l'opération requiert la force nécessaire à la compression des 2 joints toriques (Fig.21);
6. visser le bouchon de 1"1/4 jusqu'à la butée : si la cartouche n'a pas été bien enfoncée dans son logement, le vissage du bouchon complète la mise en place (Fig.21);
7. remettre la porte en place et serrer les 2 vis (Fig.21).

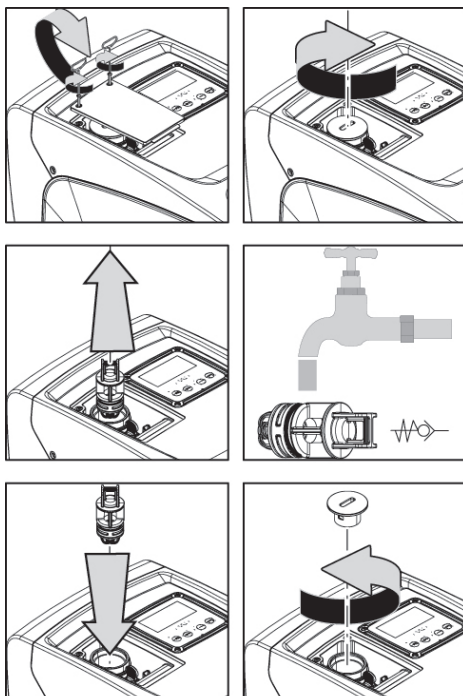


Figure 21



Si un ou plusieurs joint(s) torique(s) est/sont perdu(s) et/ou endommagé(s) durant les opérations d'entretien du clapet, le(s) remplacer. Dans le cas contraire, le système ne peut pas fonctionner correctement.

#### 9.4 - Arbre moteur

Le contrôle électronique du système assure des démarrages sans à-coups afin d'éviter les sollicitations excessives des organes mécaniques et donc de prolonger la durée de vie du produit. Dans certains cas exceptionnels

cette caractéristique pourrait provoquer des problèmes lors du démarrage de l'électropompe : après une période d'inactivité ou la vidange du système, les sels dissous dans l'eau pourraient s'être déposés et avoir formé des calcifications entre la partie tournante (l'arbre moteur) et la partie fixe de l'électropompe, augmentant ainsi la résistance au démarrage. Dans ce cas, il peut suffire d'aider manuellement l'arbre moteur à se détacher des calcifications. Cette opération est possible car l'accès est garanti depuis l'extérieur de l'arbre moteur et une rainure d'entraînement est prévue à l'extrémité de l'arbre. Procéder comme suit :

1. retirer le couvercle du logement technique (fig.1 pan A);
2. lever la couverture en caoutchouc du bouchon d'accès à l'arbre moteur (fig. 22);
3. à l'aide d'une clé hexagonale de 10 mm, retirer le bouchon d'accès à l'arbre moteur (fig. 22);
4. introduire un tournevis à tête plate dans l'encoche de l'arbre moteur et manœuvrer dans les 2 sens de rotation (fig. 22);
5. si la rotation est libre, le système peut être mis en fonction, après avoir remonté le couvercle et la couverture retirés auparavant ;
6. si le blocage de la rotation ne peut pas être éliminé manuellement, contacter le centre d'assistance.

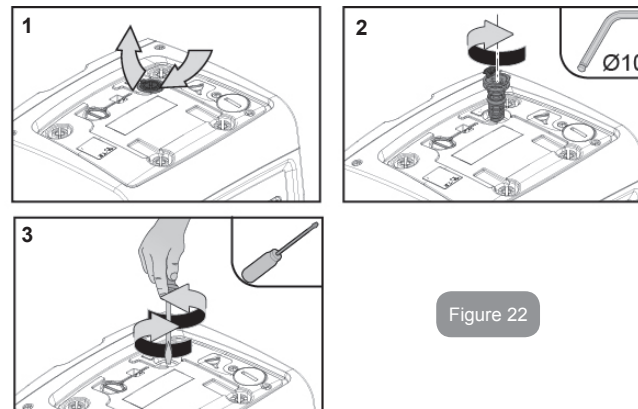


Figure 22

### 9.5 - Vase d'expansion

Pour les opérations de contrôle et de réglage de la pression de l'air du vase d'expansion et son remplacement en cas de rupture, se reporter au paragraphe 1.2.

Pour accéder à la vanne du vase d'expansion, procéder comme suit :

1. retirer la porte d'accès au logement de maintenance extraordinaire (Fig.1 pan F) en dégageant les 2 vis de fermeture à l'aide de l'outil accessoire. Il est conseillé de ne pas retirer complètement les vis afin de les utiliser pour extraire la porte. Veiller à ne pas laisser les vis dans le système lorsque la porte a été retirée (fig. 23);
2. extraire le capuchon en caoutchouc de la vanne du vase d'expansion en le faisant glisser (fig. 23);
3. agir sur la vanne selon les indications fournies au paragraphe (fig. 23);
4. remettre le capuchon en caoutchouc en place (fig. 23);
5. remettre la porte en place et serrer les 2 vis (fig. 23).

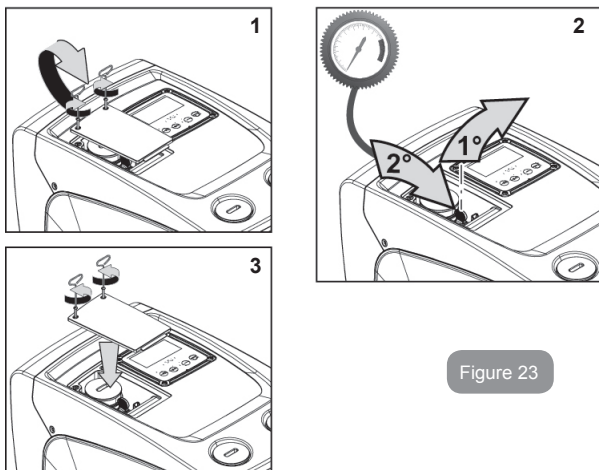


Figure 23

### 10 - RÉOLUTION DES PROBLÈMES



Avant de commencer la recherche des pannes, couper l'alimentation électrique de la pompe (extraire la fiche de la prise).

#### Résolution des problèmes types

Anomalie	LED	Causes probable	Remèdes
La pompe ne démarre pas.	Rouge : éteint Blanc : éteint Bleu : éteint	Aucune alimentation électrique.	Vérifier la présence de tension dans la prise et réintroduire la fiche
La pompe ne démarre pas.	Rouge : allumé Blanc : allumé Bleu : éteint	Arbre bloqué.	Se reporter au paragraphe 9.4 (entretien arbre moteur).
La pompe ne démarre pas.	Rouge : éteint Blanc : allumé Bleu : éteint	Utilisateur à un niveau supérieur par rapport à celui qui correspond à la pression de redémarrage du système (parag. 3.2).	Augmenter la valeur de la pression de redémarrage du système en augmentant SP ou en diminuant RP.
La pompe ne s'arrête pas.	Rouge : éteint Blanc : allumé Bleu : éteint	<ol style="list-style-type: none"> <li>1. Fuite de l'installation.</li> <li>2. Rotor ou partie hydraulique obstruée.</li> <li>3. Pénétration d'air dans le conduit d'aspiration.</li> <li>4. Capteur de flux défectueux</li> </ol>	<p>Vérifier l'installation, localiser la fuite et l'éliminer.</p> <p>Démonter le système et éliminer les occlusions (service d'assistance).</p> <p>Examiner le conduit d'aspiration, identifier la cause de la pénétration d'air et l'éliminer.</p> <p>Contactez le centre d'assistance.</p>



Distribution insuffisante	Rouge : éteint Blanc : allumé Bleu : éteint	<ol style="list-style-type: none"> <li>1. Profondeur d'aspiration excessive.</li> <li>2. Conduit d'aspiration obstrué ou de diamètre insuffisant.</li> <li>3. Rotor ou partie hydraulique obstruée.</li> </ol>	<ol style="list-style-type: none"> <li>1. Lorsque la profondeur d'aspiration augmente, les prestations hydrauliques du produit diminuent (parag. Description de l'électropompe). Vérifier si la profondeur d'aspiration peut être réduite. Utiliser un tuyau d'aspiration de plus grand diamètre (mais jamais inférieur à 1").</li> <li>2. Examiner le conduit d'aspiration, identifier la cause de la partialisation (obstruction, courbe sèche, tronçon en contre-pente, etc.)</li> <li>3. Démontez le système et éliminez les occlusions (service d'assistance).</li> </ol>
La pompe démarre sans qu'un utilisateur ne le demande	Rouge : éteint Blanc : allumé Bleu : éteint	<ol style="list-style-type: none"> <li>1. Fuite de l'installation.</li> <li>2. Clapet de non-retour défectueux.</li> </ol>	<ol style="list-style-type: none"> <li>1. Vérifier l'installation, localiser la fuite et l'éliminer.</li> <li>2. Effectuer les opérations d'entretien du clapet de non-retour comme décrit au paragraphe 9.3.</li> </ol>
La pression de l'eau n'est pas immédiate lorsque l'utilisateur est ouvert	Rouge : éteint Blanc : allumé Bleu : éteint	Vase d'expansion déchargé (pression d'air insuffisante) ou rupture de la membrane.	Vérifier la pression de l'air dans le vase d'expansion. Si de l'eau s'écoule durant le contrôle, le vase est cassé : contacter le service d'assistance. Dans le cas contraire, rétablir la pression de l'air selon la formule (parag. 1.2).
Au moment de l'ouverture, le débit arrive à zéro avant que la pompe ne démarre.	Rouge : éteint Blanc : allumé Bleu : éteint	Pression de l'air dans le vase d'expansion supérieure à celle du démarrage du système.	Étalonner la pression du vase d'expansion ou configurer les paramètres SP et/ou RP de manière à correspondre à la formule (parag. 1.2).

L'écran affiche BL	Rouge : allumé Blanc : allumé Bleu : éteint	<ol style="list-style-type: none"> <li>1. Manque d'eau.</li> <li>2. Pompe non amorcée.</li> <li>3. Le point de paramétrage ne peut pas être atteint avec la valeur de RM paramétrée.</li> </ol>	<ol style="list-style-type: none"> <li>1-2. Amorcer la pompe et vérifier que le conduit ne contient pas d'air. Vérifier que l'aspiration ou les filtres éventuels ne sont pas obstrués.</li> <li>3. Régler une valeur de RM qui permette d'atteindre le point de paramétrage.</li> </ol>
L'écran affiche BP1	Rouge : allumé Blanc : allumé Bleu : éteint	<ol style="list-style-type: none"> <li>1. Capteur de pression défectueux.</li> </ol>	<ol style="list-style-type: none"> <li>1. Contacter le centre d'assistance.</li> </ol>
L'écran affiche BP2	Rouge : accès Blanc : accès Bleu : éteint	<ol style="list-style-type: none"> <li>1. Panne du capteur de pression.</li> </ol>	<ol style="list-style-type: none"> <li>1. Contacter le service d'assistance.</li> </ol>
L'écran affiche OC	Rouge : allumé Blanc : allumé Bleu : éteint	<ol style="list-style-type: none"> <li>1. Absorption excessive.</li> <li>2. Pompe bloquée.</li> </ol>	<ol style="list-style-type: none"> <li>1. Fluide trop dense. Ne pas utiliser la pompe avec des fluides autres que de l'eau.</li> <li>2. Contacter le centre d'assistance.</li> </ol>
L'écran affiche PB	Rouge : allumé Blanc : allumé Bleu : éteint	<ol style="list-style-type: none"> <li>1. Tension d'alimentation faible.</li> <li>2. Chute de tension excessive sur la ligne.</li> </ol>	<ol style="list-style-type: none"> <li>1. Vérifier la présence de la bonne tension de ligne.</li> <li>2. Vérifier la section des câbles d'alimentation.</li> </ol>

## 11 - MISE À JOUR DU MICROLOGICIEL

Le micrologiciel peut être mis à jour via D-Connect Box par une communication sans fil. Pour effectuer la mise à jour, reportez-vous au manuel du D-Connect Box.

**12 - MISE AU REBUT**

Ce produit ou certaines parties de celui-ci doivent être mis au rebut dans le respect de l'environnement et conformément aux normes environnementales locales. Employer les systèmes locaux, publics ou privés, de collecte des déchets.

**13 - GARANTIE**

Toute utilisation de matériel défectueux ou tout défaut de fabrication de l'appareil sera éliminé durant la période de garantie prévue par la loi en vigueur dans le pays dans lequel le produit a été acheté, soit par réparation, soit par remplacement.

La garantie couvre tous les défauts substantiels attribuables à des vices de fabrication ou de matériel employé si le produit est utilisé correctement et conformément aux instructions.

La garantie est annulée dans les cas suivants :

- tentatives de réparation effectuées sur l'appareil,
- modifications techniques de l'appareil,
- utilisation de pièces de rechange non originales,
- manipulation,
- utilisation non appropriée, par ex. emploi industriel.

Sont exclues de la garantie:

- les pièces à usure rapide.

En cas de demande d'assistance sous garantie, s'adresser à un centre d'assistance technique autorisé et présenter la preuve d'achat du produit.



**DAB PUMPS S.p.A.**

Via M. Polo, 14 - 35035 Mestrino (PD) - Italy  
Tel. +39 049 5125000 - Fax +39 049 5125950  
[www.dabpumps.com](http://www.dabpumps.com)