

---

**ISTRUZIONI PER LA REGOLAZIONE DEL PRESSOSTATO**  
**INSTRUCTIONS POUR LE REGLAGE DE CONTACTEURS-MANO**  
**INSTRUCTIONS FOR ADJUSTING THE PRESSURE SWITCH**  
**ANLEITUNGEN FÜR DIE REGELUNG VON DRUCKSCHALTERN**  
**RICHTLIJNEN VOOR DE REGELING VAN DRUKSCHAKELAARS**  
**INSTRUCCIONES PARA LA REGULACION DEL PRESÓSTATO**  
**ISTRUKTIONER FOR INSTALLNING AV PRESSOSTAT**  
**РУКОВОДСТВО ПО РЕГУЛЯЦИИ РЕЛЕ ДАВЛЕНИЯ**



---

**SQUARE D**

**TELEMECANIQUE**

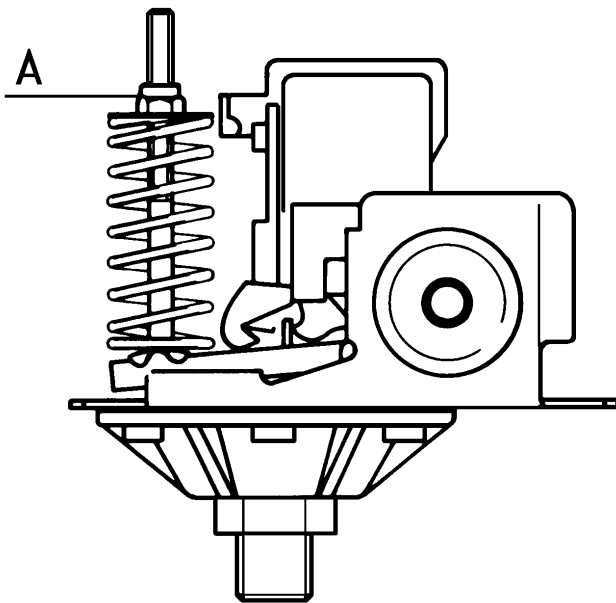
**SQUARE D - TELEMECANIQUE**

**ITALTECNICA**

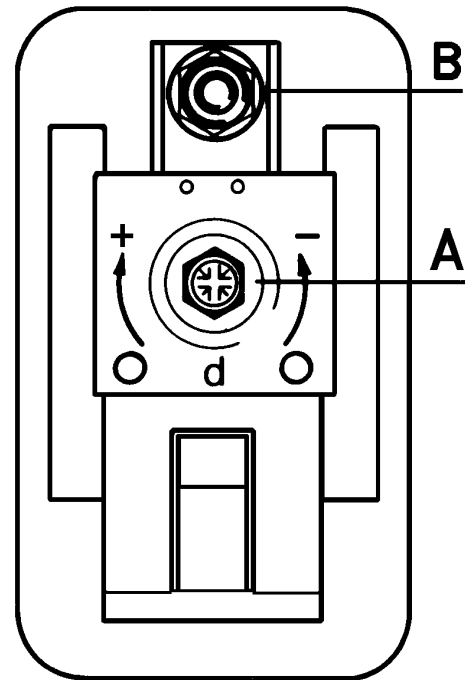
<b>ITALIANO</b>	pag.	1
<b>FRANÇAIS</b>	page	2
<b>ENGLISH</b>	page	3
<b>DEUTSCH</b>	seite	4
<b>NEDERLANDS</b>	bladz	5
<b>ESPAÑOL</b>	pág.	6
<b>SVENSKA</b>	sid.	7
<b>РУССКИЙ</b>	стр.	8

---

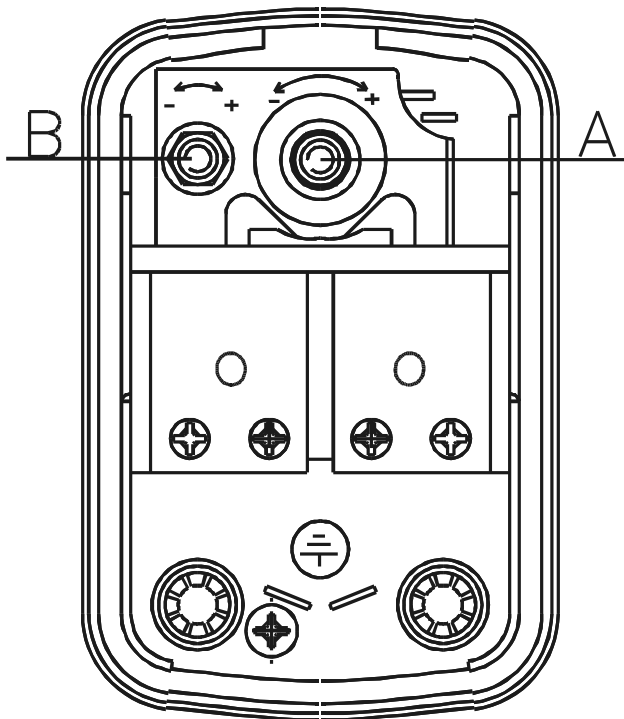
Square D



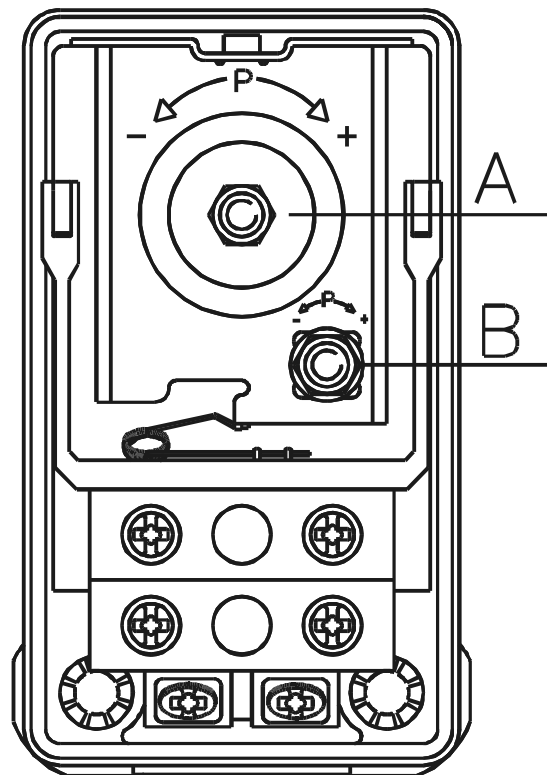
Telemecanique



Square D - Telemecanique



Italtecnica



### INSTRUCTIONS FOR ADJUSTING THE PRESSURE SWITCH

The automatic pressurization groups are provided with a factory setting that is sufficient for most plants and requirements. However, the setting of the pressure switch may be adjusted to adapt the group to meet different requirements.

#### ADJUSTMENT OF THE CONTROL MECHANISM

1. Establish the minimum desired pressure value (leaving the pump).
2. Set the storage tank preloading pressure 0,2 bar less than the minimum pressure level. This operation must be carried out only after having drained all the out the tank.
3. After having identified the model of pressure switch supplied with supplied with the pump, calibrate it following the indications given below and checking the established values with a pressure gauge.
  - a) **Square D:**
    - tighten the nut A to vary the starting pressure value. This will automatically change the stopping pressure value; as the differential cannot be varied;
    - loosen the nut A to perform the opposite operation.
  - b) **Telemecanique / Square D – Telemecanique / Italtecnica:**
    - tighten the nut B to decrease the starting pressure value, Thus varying the differential;
    - tighten the nut A to increase the stopping pressure value;
    - loosen nuts A and B to perform the opposite operation.

#### FAULT FINDING CHART

FAULT	CHECK (possible cause)	REMEDY
1. The motor does not start.	A. Check that the pressure switch is live. B. Ensure that the tank preloading pressure is not higher than the minimum value of the pressure switch.	B. Set the preloading pressure 0,2 bar below the minimum value of the pressure switch.
2. The motor does not stop when the demand for water has ceased.	A. Ensure that the value at which the pressure switch is set to stop the motor is not higher than the pressure than the pump can generate (suction + delivery) B. Check that the pressure switch contacts move freely.	A. Set the pressure switch at a lower pressure. B. Otherwise change the pressure switch.
3. The pressure switch, starting and stopping frequently during normal water delivery.	A. Check the setting of the pressure switch which will certainly be too low. B. Check that the diaphragm of the expansion chamber (if used) is unbroken.	A. Increase the setting values of the pressure switch until the problem is overcome. Do not forget to reset the minimum intervention pressure. B. Otherwise remove the fault.

