



Technical Data

End Suction Pump - EAZS100/26-22004

Revision no.

Page:

1

Receiver

From

 Company name
 Respons. Department
 Person in charge
 Phone number
 Fax no
 E-mail address

--	--

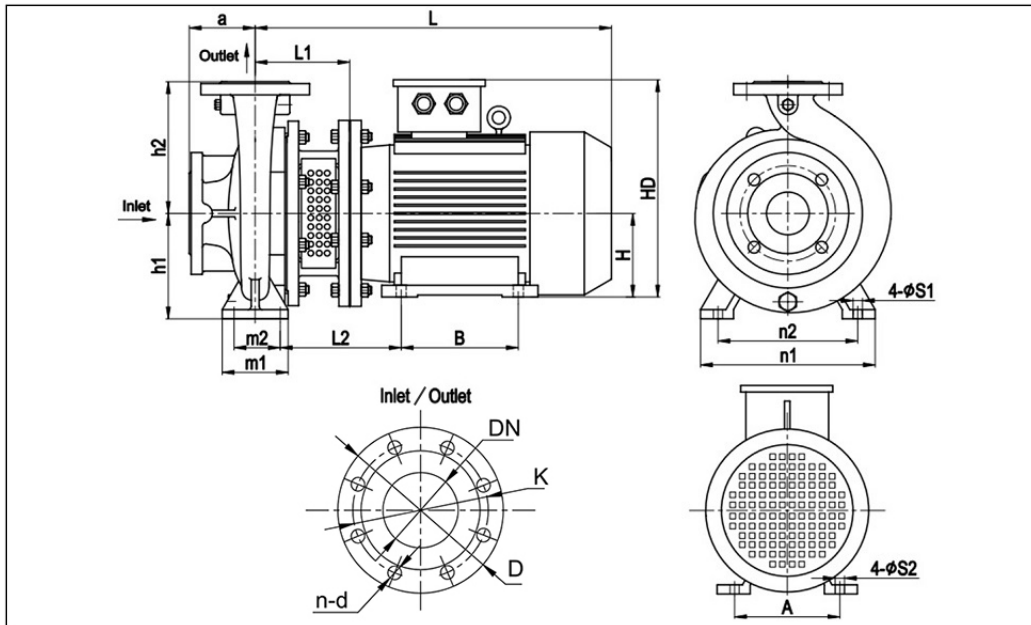


Brand: Gol Pumps
AcXY: '95 NG100/26-22004
Flange: ANSI Class 125

Motor (B35)	
Model	hp
Y2-180L-4	30

Weight (lb)		
Pump	Motor	Pump & Motor
196	395	591

Dimensions:



Inlet			
DN	K	D	n-d
5	8.5	10	8-φ0.9

Outlet			
DN	K	D	n-d
4	7.5	9.1	8-φ0.8

Pump Installation Size (inch)															
a	h1	h2	L1	L2	L	A	B	H	HD	m1	m2	n1	n2	S1	S2
5.5	10	11	9.4	11.8	34.2	11	11	7.1	17.9	6.3	4.7	15.8	12.4	0.7	0.6

Project

Project ID

Created by

Created on

Last update



Performance Curves

End Suction Pump - EAZS100/26-22004

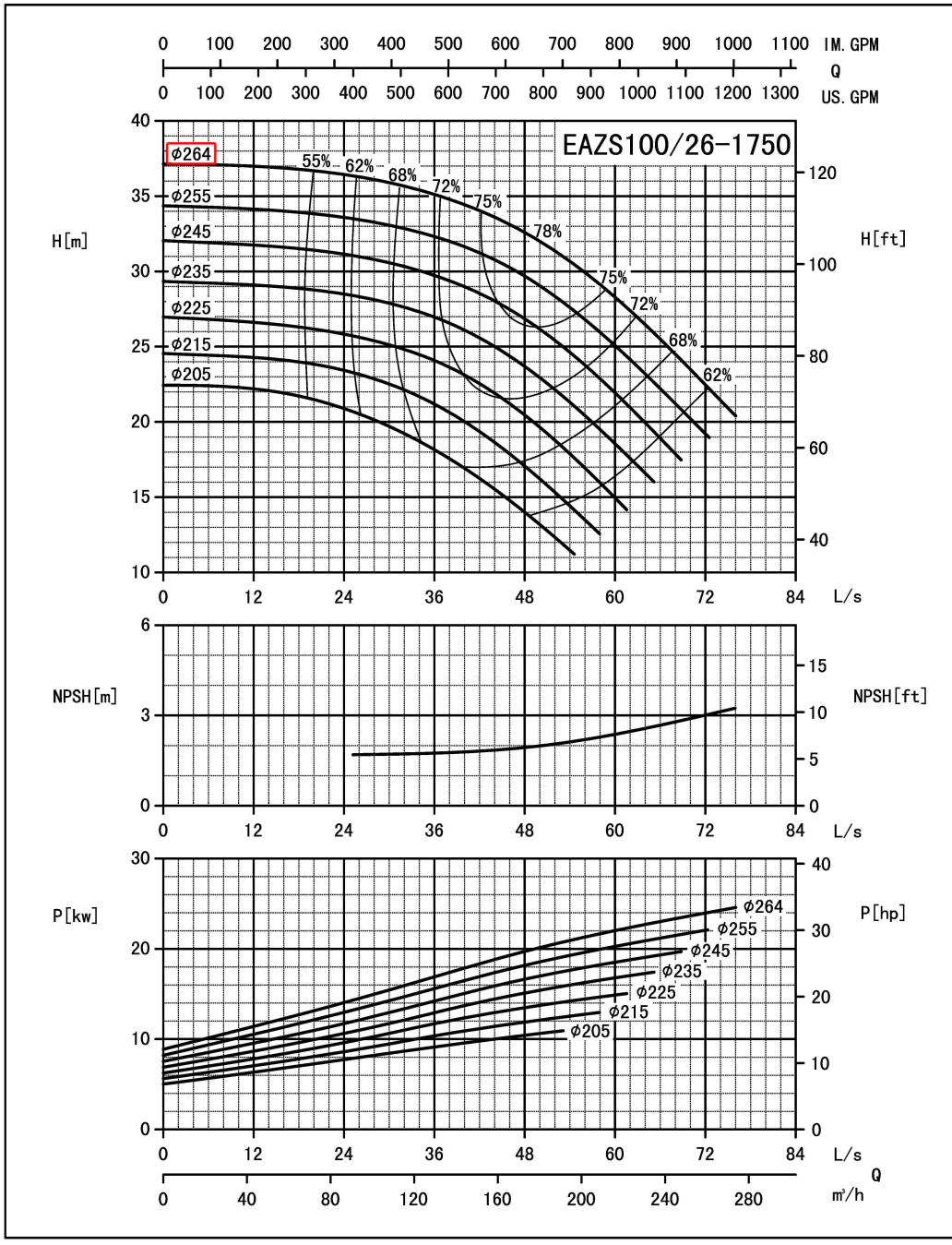
Revision no. _____
 Page: 2

Company name _____
 Respons. Department _____
 Person in charge _____
 Phone number _____
 Fax no _____
 E-mail address _____

Receiver _____

From _____

Model	Capacity		Head ft	Speed r/min	Power (kw)		Motor (hp)	Efficiency %	Impeller Diam. inch	(NPSH) r ft
	m ³ /h	gpm			Shaft	Motor				
EAZS100/26-22004	99.5	437.9	100.8	1750	12.6	15	20	66	10.4	5.9
	165.8	729.8	90		16.5	18.5	25	75		6.6
	198.9	875.8	79.4		17.9	22	30	73		7.6



Performance to ISO9906 Grade 2 for clean cold water only

EF-A01/1406

Project _____	Project ID _____	Created by _____	Created on _____	Last update _____
---------------	------------------	------------------	------------------	-------------------