



# Technical Data - Pump

## Vertical Multistage Pump Nema - SBN 120-3

Revision no.

Page:  
1

Receiver

From

Company name  
Respons. Department  
Person in charge  
Phone number  
Fax no  
E-mail address



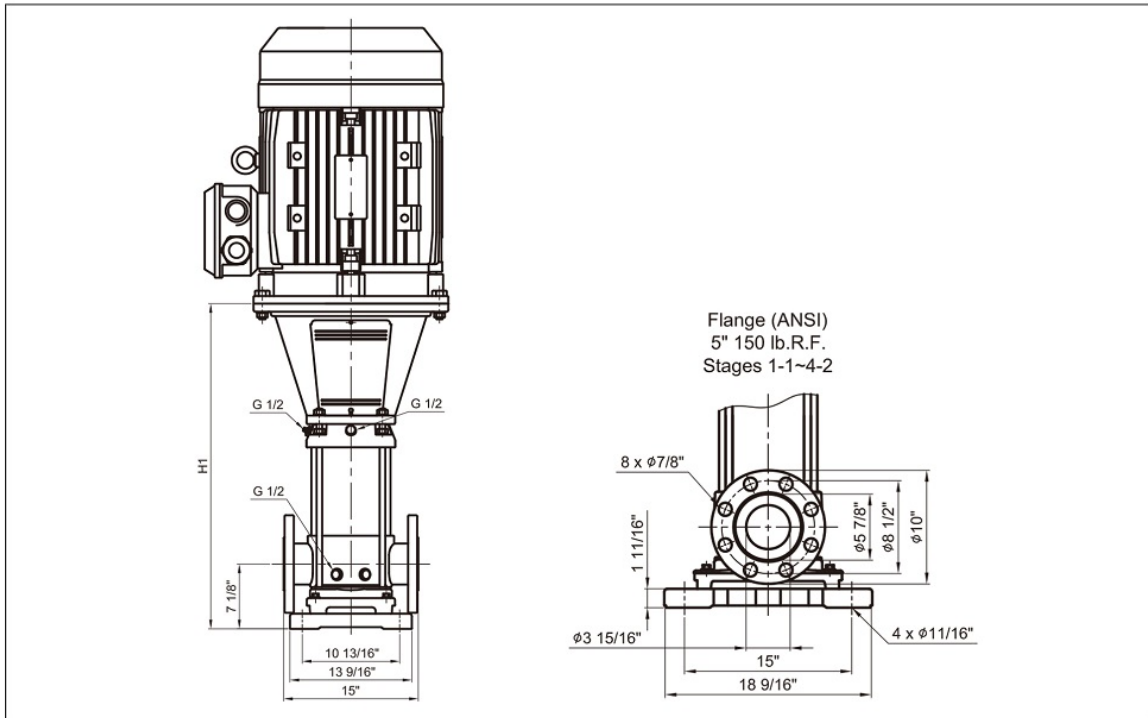


**Pump Brand: Gol Pumps**  
**Model: SBN 120-3**

**Motor Brand: WEG**  
**Model: 07536ET3E365TSC-W22**



### Pump Dimensions:



Pump Installation Size (inch)				
ANSI Flange	Port Size		NEMA Frame TEFC motors	Net Weight
	DNA	DNM		Lb.
H1	5	5	364/5TSC	331.4

Project	Project ID	Created by	Created on	Last update
---------	------------	------------	------------	-------------



# Performance Curves

## Vertical Multistage Pump Nema - SBN 120-3

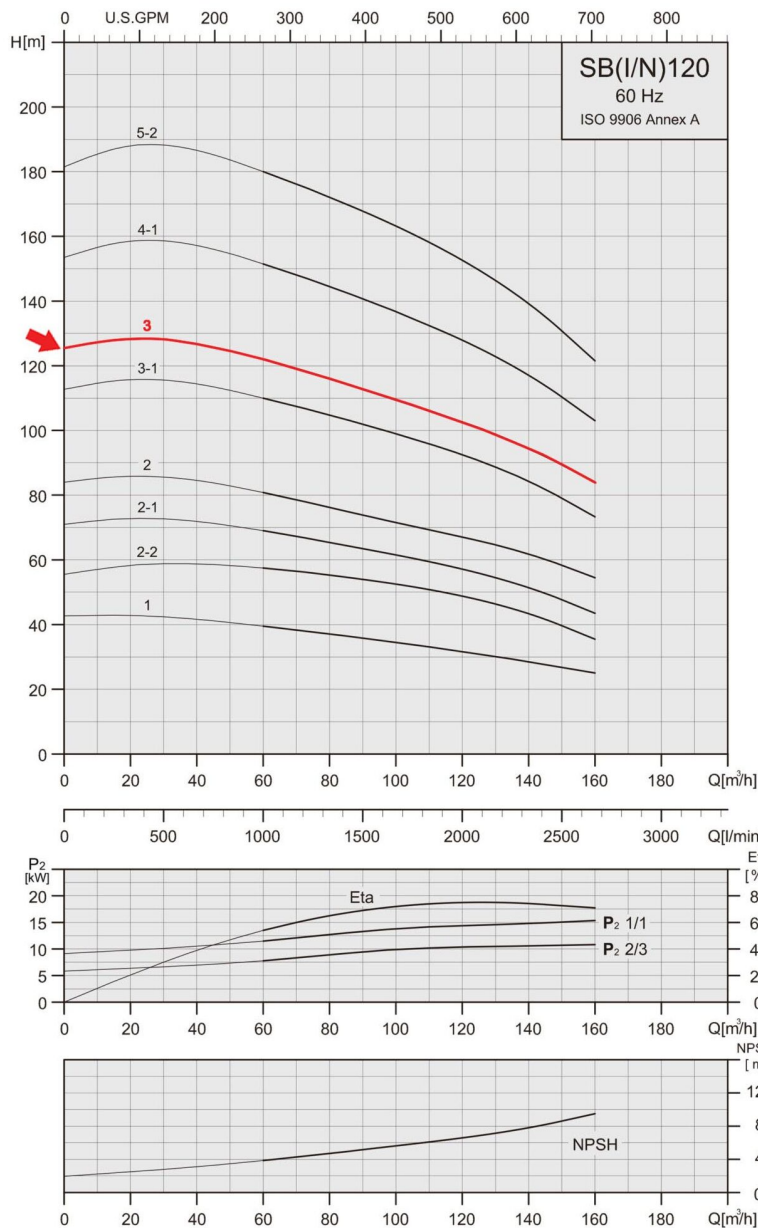
Revision no. \_\_\_\_\_

Page: 2

Receiver	From

Company name  
 Respons. Department  
 Person in charge  
 Phone number  
 Fax no  
 E-mail address

Model	Port Size (in.)		Flow	HP	Volts	Amps	Phase	Max. Head	Max. Suction	Max. PSI
	DNA	DNM	GPH		V	I Max.	Ph	Ft.	Ft.	
<b>SBN 120-3</b>	5	5	42000	75	230/460	164/81.9	Three	420	17	185



Project	Project ID	Created by	Created on	Last update
---------	------------	------------	------------	-------------



## Parts and Materials

### Vertical Multistage Pump Nema - SBN 120-3

Revision no.

Page:

3

Receiver

From

 Company name  
 Respons. Department  
 Person in charge  
 Phone number  
 Fax no  
 E-mail address

	Parts List	Material	Standard
	36 Pump Head	Stainless Steel	AISI 316
	53 Motor Bracket (15~60HP)	Cast Iron	ASTM 35B
	(75~100HP)	Cast Iron	ASTM 65-45-12
	17 Bearing Ring	PTFE	
	18 Impeller	Stainless Steel	AISI 316
	37 Shaft	Stainless Steel	AISI 316
	48 Outer Sleeve	Stainless Steel	AISI 316
	82 O-ring for Outer Sleeve	EPDM	
	12 Chamber	Stainless Steel	AISI 316
	24 Neck Ring	PTFE	
	59 Base	Stainless Steel	AISI 316
	62 Base Plate	Cast Iron	ASTM 65-45-12
	62A Base Plate	Cast Iron	ASTM 65-45-12
	57 Mechanical Seal	Cartridge Type	
	42 Bottom Bearing Ring	SiC	

Project

Project ID

Created by

Created on

Last update



## Technical Data - Motor

### Vertical Multistage Pump Nema - SBN 120-3

Revision no.	Page:
	4

	Receiver	From
Company name		
Respons. Department		
Person in charge		
Phone number		
Fax no		
E-mail address		

Product line : W22 NEMA Premium Efficiency Three-Phase      Product code : 12197395  
 Catalog # : 07536ET3E365TSC-W22

Frame : 364/5TSC  
 Output : 75 HP (55 kW)  
 Poles : 2  
 Frequency : 60 Hz  
 Rated voltage : 230/460 V  
 Rated current : 164/81.9 A  
 L. R. Amperes : 1097/549 A  
 LRC : 6.7x(Code G)  
 No load current : 40.0/20.0 A  
 Rated speed : 3555 rpm  
 Slip : 1.25 %  
 Rated torque : 111 ft.lb  
 Locked rotor torque : 200 %  
 Breakdown torque : 250 %  
 Insulation class : F  
 Service factor : 1.25  
 Moment of inertia (J) : 11.9 sq.ft.lb  
 Design : B

Locked rotor time : 18s (cold) 10s (hot)  
 Temperature rise : 80 K  
 Duty cycle : Cont.(S1)  
 Ambient temperature : -20°C to +40°C  
 Altitude : 1000 m.a.s.l.  
 Protection degree : IP55  
 Cooling method : IC411 - TEFC  
 Mounting : F-1  
 Rotation<sup>1</sup> : Both (CW and CCW)  
 Noise level<sup>2</sup> : 79.0 dB(A)  
 Starting method : Direct On Line  
 Approx. weight<sup>3</sup> : 879 lb

Output	25%	50%	75%	100%
Efficiency (%)	92.2	92.4	93.6	93.6
Power Factor	0.60	0.83	0.88	0.90

Foundation loads  
 Max. traction : 657 lb  
 Max. compression : 1536 lb

Losses at normative operating points (speed;torque), in percentage of rated output power

P1 (0,9;1,0)	P2 (0,5;1,0)	P3 (0,25;1,0)	P4 (0,9;0,5)	P5 (0,5;0,5)	P6 (0,5;0,25)	P7 (0,25;0,25)
6.4	4.8	4.5	3.2	1.8	1.1	0.6

	Drive end	Non drive end
Bearing type	6314 C3	6314 C3
Sealing	WSeal	WSeal
Lubrication interval	4000 h	4000 h
Lubricant amount	27 g	27 g
Lubricant type	Mobil Polyrex EM	

Notes:  
 USABLE @208V 181A SF 1.10 SFA 199A

This revision replaces and cancel the previous one, which must be eliminated.

- (1) Looking the motor from the shaft end.
- (2) Measured at 1m and with tolerance of +3dB(A).
- (3) Approximate weight subject to changes after manufacturing process.
- (4) At 100% of full load.

These are average values based on tests with sinusoidal power supply, subject to the tolerances stipulated in NEMA MG-1.

Project	Project ID	Created by	Created on	Last update
---------	------------	------------	------------	-------------



# Dimensions and Nameplate

## Vertical Multistage Pump Nema - SBN 120-3

Revision no.

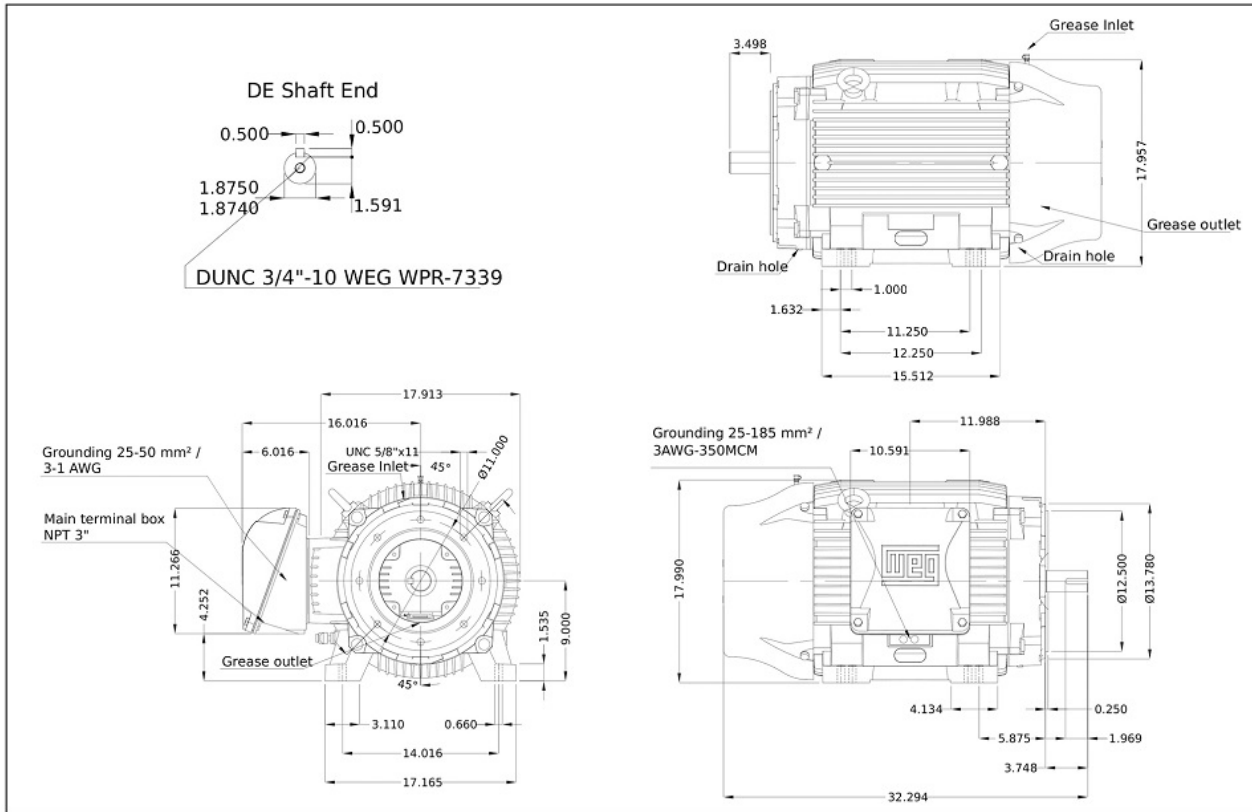
Page:  
5

Receiver

From

Company name  
Respons. Department  
Person in charge  
Phone number  
Fax no  
E-mail address

### Motor Dimensions:



### Motor Nameplate:



MODEL 07536ET3E365TSC-W22

MADE IN MEXICO

12197395

Inverter Duty Motor

Severe Duty

PH3 60Hz Fr. 364/STSC 1000m.a.s.l. IP55 TEFC 8791b

V 230/460

A 164/81.9

HP 75

kW 55

SF 1.25

SFA 205/102

RPM 3555

PF 0.90

AMB 40°C

INS cl. F DT80K NEMA NOM EFF 93.6%

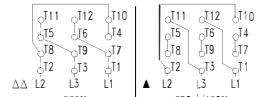
DUTY CONT.

DES B Code G

75HP 55kW 50Hz 380V 100A 2930RPM SF 1.00 EFF 92.4% (IE1)

FOR SAFE AREA  
Mod. T16FOXON  
C0226A

For use on 60Hz  
Class I, Div 2, Gr A, B, C and D - T3  
Class I, Zone 2, IIC - T3  
Class II, Div 2, Gr F and G - T4  
For use on PWM: Gr. A, B, C, D and F,  
VT 1000:1, CT 20:1, 1.00SF - TSA



6314-C3 (27g)

6314-C3 (27g)

MOBIL POLYREX EM (4000h)

Project

Project ID

Created by

Created on

Last update