



TECHNICAL FEATURES

- Pump body: cast iron G20 with anti-corrosive coating
- Motor bracket: cast iron G20 with anti-corrosive coating
- Orifices in/outlet: ANSI 121
- Impeller: cast iron G20 with cataphoretic treatment; brass for CN 32-160 A/B
- Threaded counter flanges: galvanized steel complete with EPDM gaskets
- Pump shaft: stainless steel AISI 304
- Mechanical seal: carbon-ceramics



MOTOR

The control motors are asynchronous, squirrel cage-type, closed, with external ventilation

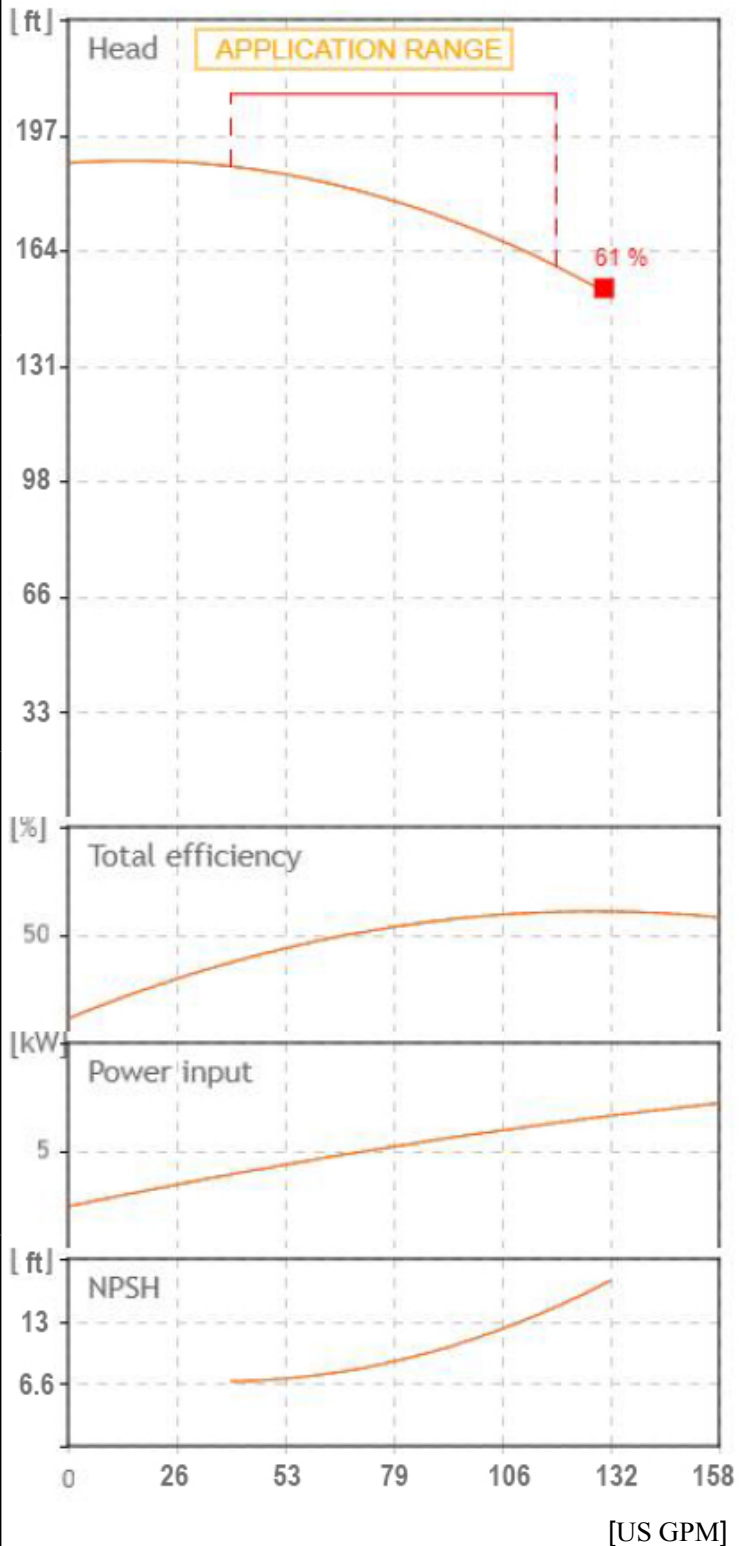
- The motor protection for three-phase models must be installed by the customer. Equipment compliant with current standards should be used

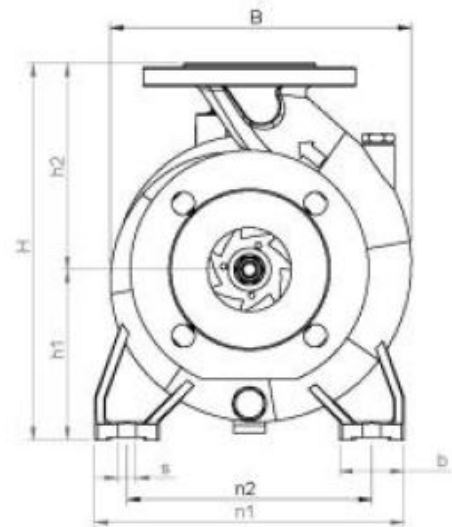
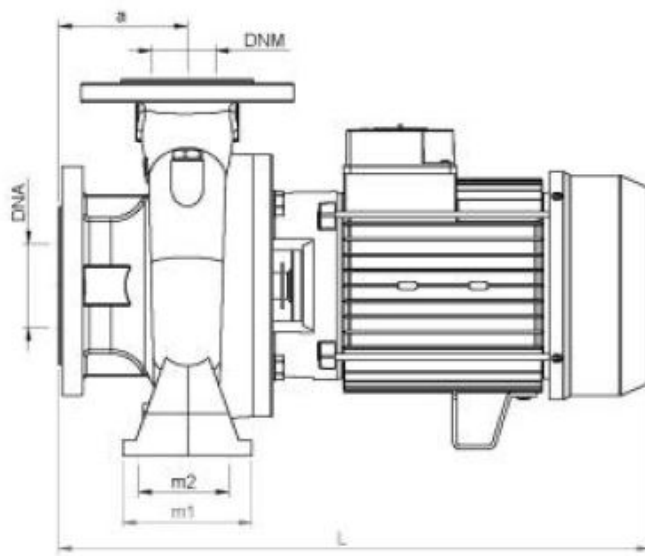
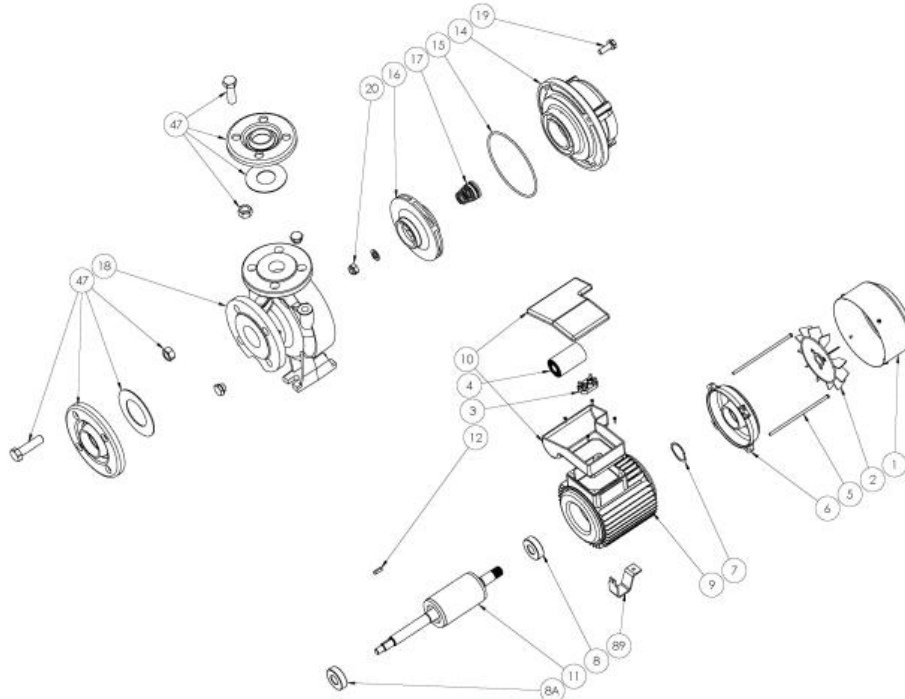
Class of insulation: F

- Service: S1
- Degree of protection: single phase IP 44 (IP 55 on demand); three phase 55
- Terminal board protection IP 54

		SEA LAND S.r.l. (PD) ITALY www.sea-land.it		 MADE IN ITALY	
Type CN 32-200 A					
H	48.5 - 57.2	m	Q	450 - 150	l/1'
Hmin	46.1	m	Hmax	57.7	m
			P <sub>1</sub>	7150	W
	10	HP	7,5	kW	21.1 - 10.5
					A
3~	220 / 460	V	60	Hz	η
					%
	μF	V	IP	55	3500 Rpm
S/N		Ins.Cl	F	▽	m
T. MAX FLUID.	35	°C	81.5	kg	
Servizio continuo	Continuous duty				

Tolerance of curves to ISO 9906





TIPO TYPE	DIMENSIONI [mm] DIMENSIONS [mm]																IMBALLO [mm] PACKING [mm]			PESO WEIGHT
	A	B1	S	L	B	H	n1	n2	m1	m2	H1	H2	K asp	K man	B asp	B man	Ai	Pi	Li	[kg]
CN 32-200 A	80	50	14	537	273	340	240	190	100	70	160	180	125	100	19	18	450	650	370	81.5

TIPO TYPE	DIMENSIONI [mm] DIMENSIONS [mm]			
	n° asp	n° man	DNA (inch)	DNM (inch)
CN 32-200 A	4	4	50 (2")	32 (1 1/4")

**From**  
Company: Gol pumps  
Reference:  
Address: 6520 Nw 77ct



Phone: 786-613-5872  
Email: info@golpumps.com

Sea-land reserves the right to make changes without prior notice  
Page 3 / 3