





TECHNICAL FEATURES

- Pump body: cast iron G20 with anti-corrosive coating
- Motor bracket: cast iron G20 with anti-corrosive coating
- in/outlet: ANSI 125
- Impeller: cast iron G20 with cathaporetic treatment
- Welding counter flanges: galvanized steel complete with EPDM gaskets
- Pump shaft: stainless steel AISI 304
- Mechanical seal: carbon-ceramics
- Welding Flanges Included

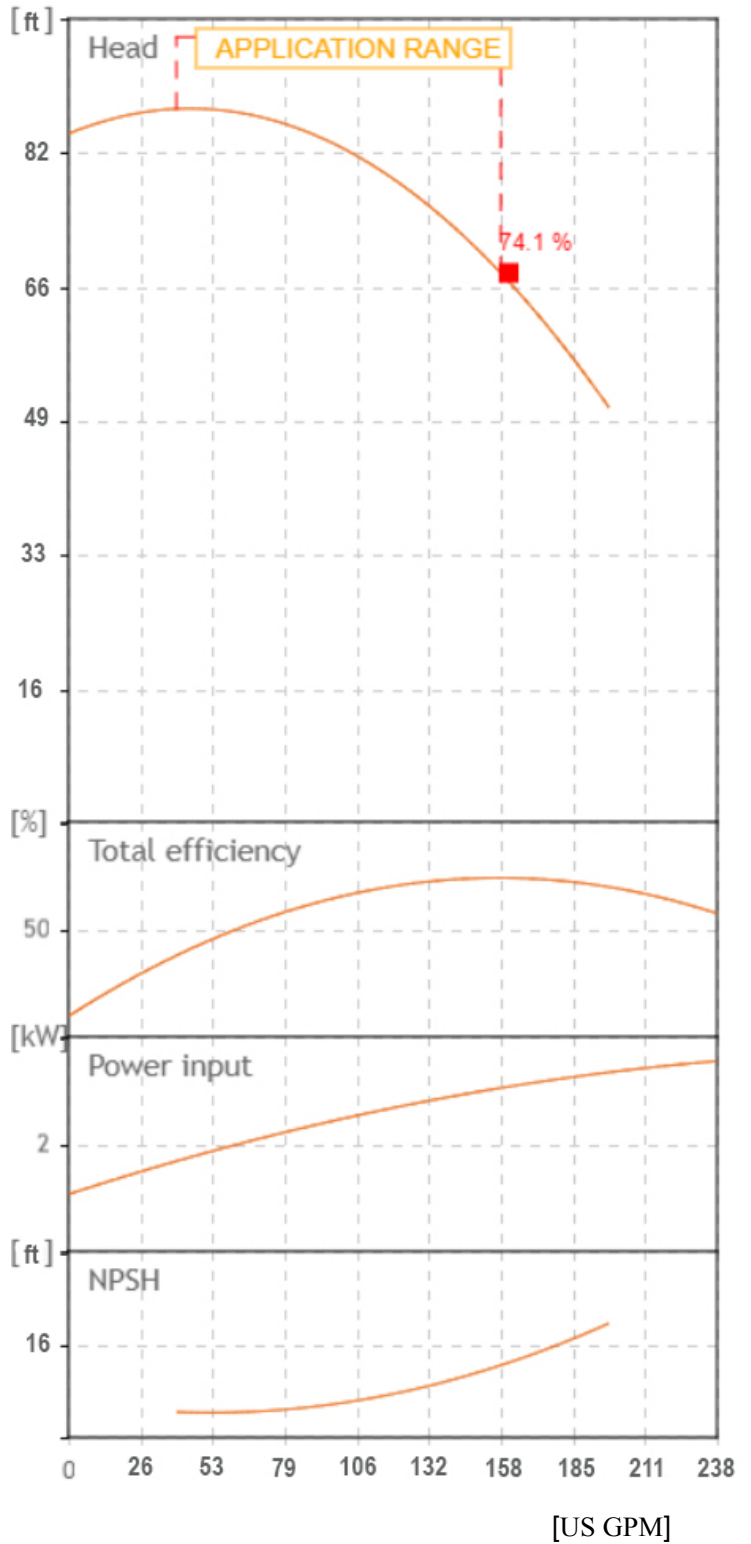
MOTOR

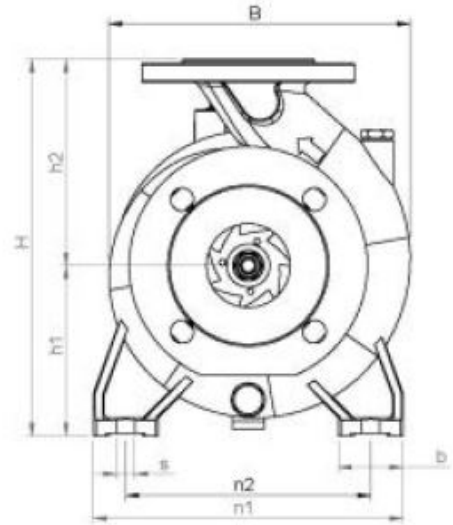
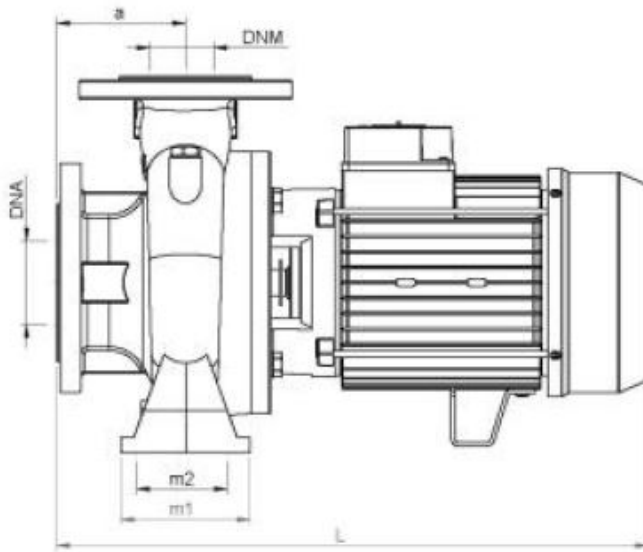
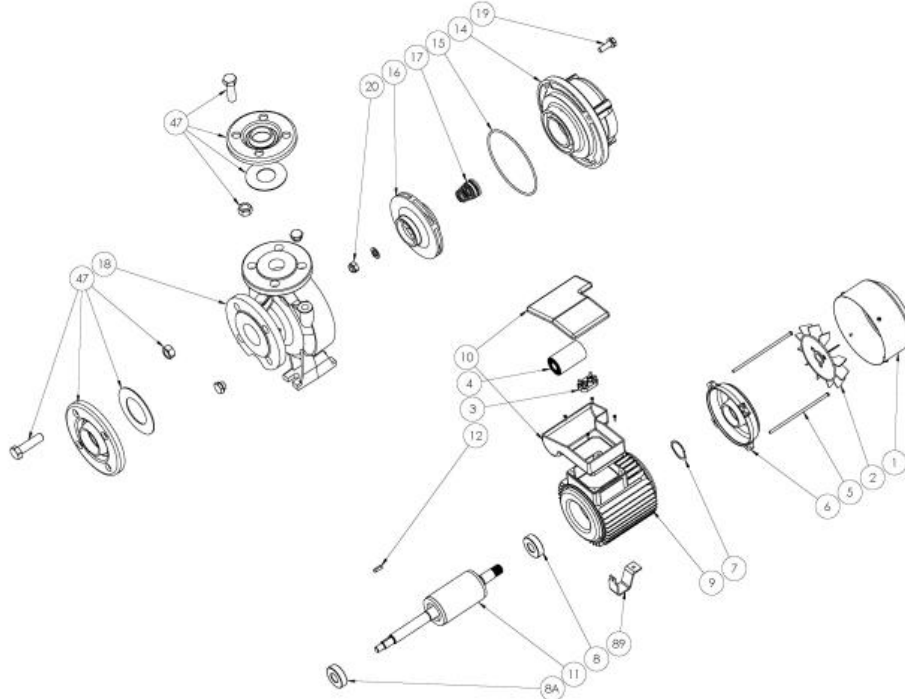
The control motors are asynchronous, squirrel cage-type, closed, with external ventilation

- Incorporated motor protection and capacitor always on, for single-phase models
- Class of insulation: F
- Service: S1
- Degree of protection: Single Phase IP 44
- Terminal board protection IP 54

		SEA LAND S.r.l. (PD) ITALY www.sea-land.it		 MADE IN ITALY	
Type CN 40-125 A M					
H	20.9 - 26.7	m	Q	600 - 150	l/1'
Hmin	15.5	m	Hmax	25.7	m
			P1	4360	W
	4	HP	3	kW	19.5
					A
1~	220	V	60	Hz	η
	60	μF	450V	IP 44	3500 Rpm
S/N		Ins.Cl	F	▽	m
T. MAX FLUID.	35	°C	48	kg	
Servizio continuo	Continuos duty				

Tolerance of curves to ISO 9906





TIPO TYPE	DIMENSIONI [mm] DIMENSIONS [mm]																IMBALLO [mm] PACKING [mm]			PESO WEIGHT
	A	B1	S	L	B	H	n1	n2	m1	m2	H1	H2	K asp	K man	B man	B asp	Ai	Pi	Li	[kg]
CN 40-125 A M	80	50	14	463	216	252	210	160	100	70	112	140	145	110	18	19	380	530	330	43.5

TIPO TYPE	DIMENSIONI [mm] DIMENSIONS [mm]			
	n° asp	n° man	DNA (inch)	DNM (inch)
CN 40-125 A M	4	4	65 (2.5")	40 (1.5")

From
Company: Gol pumps
Reference:
Address: 6520 Nw 77ct



Phone: 786-613-5872
Email: info@golpumps.com

Sea-land reserves the right to make changes without prior notice
Page 2 / 2