



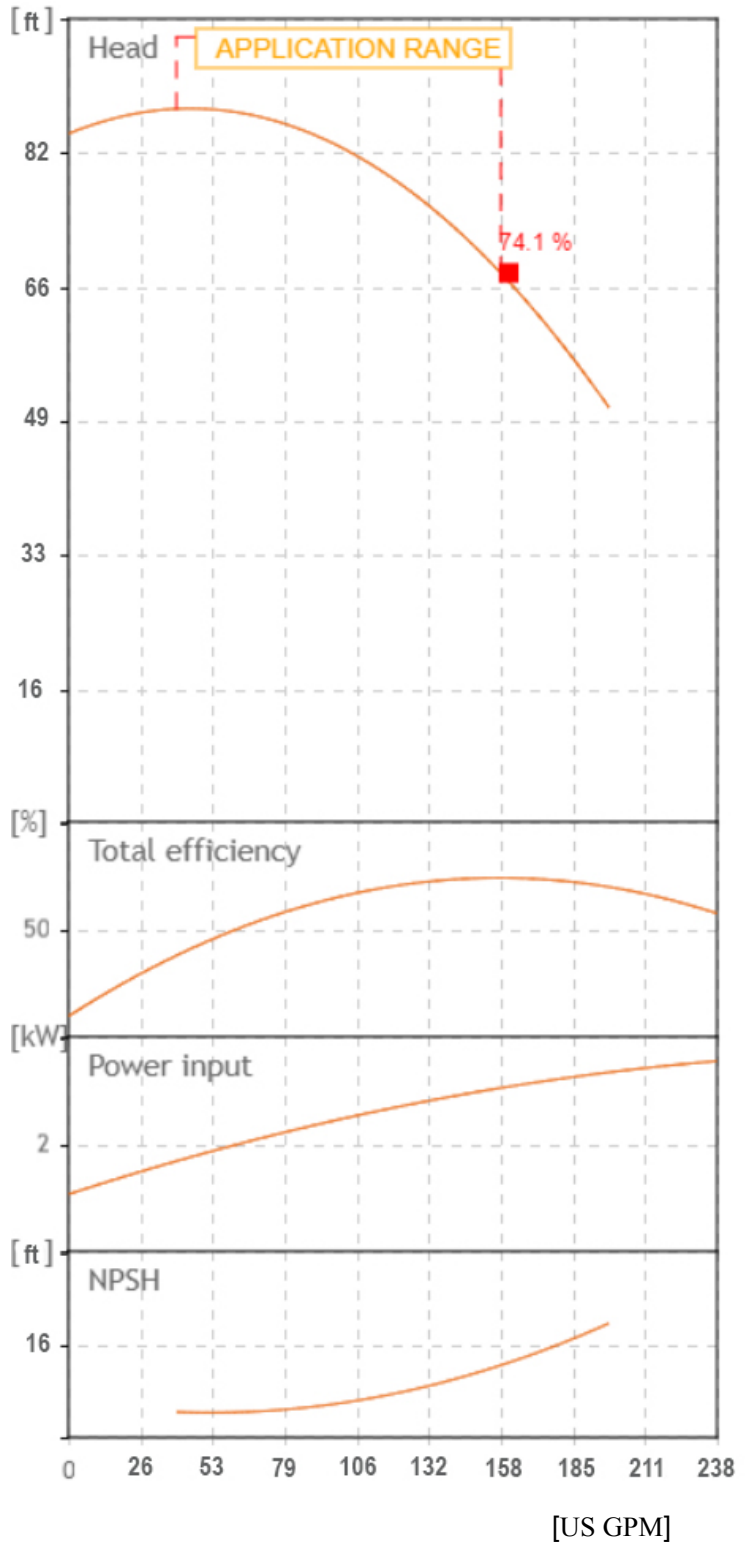
**TECHNICAL FEATURES**



- Pump body: cast iron G20 with anti-corrosive coating
- Motor bracket: cast iron G20 with anti-corrosive coating
- Orifices in/outlet: ANSI 125
- Impeller: cast iron G20 with cataphoretic treatment; brass for CN 32-160 A/B
- Threaded counter flanges: galvanized steel complete with EPDM gaskets
- Pump shaft: stainless steel AISI 304
- Mechanical seal: carbon-ceramics

**MOTOR**

- The control motors are asynchronous, squirrel cage-type, closed, with external ventilation
- Incorporated motor protection and capacitor always on, for single-phase models
  - Class of insulation: F
  - Service: S1
  - Degree of protection: single phase IP 44 (IP 55 on demand); three phase 55
  - Terminal board protection IP 54

**Tolerance of curves to ISO 9906**



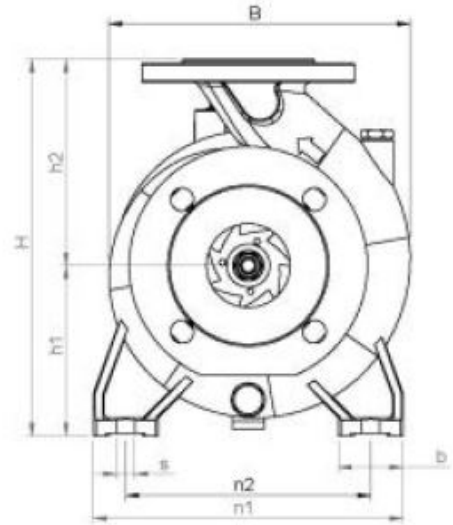
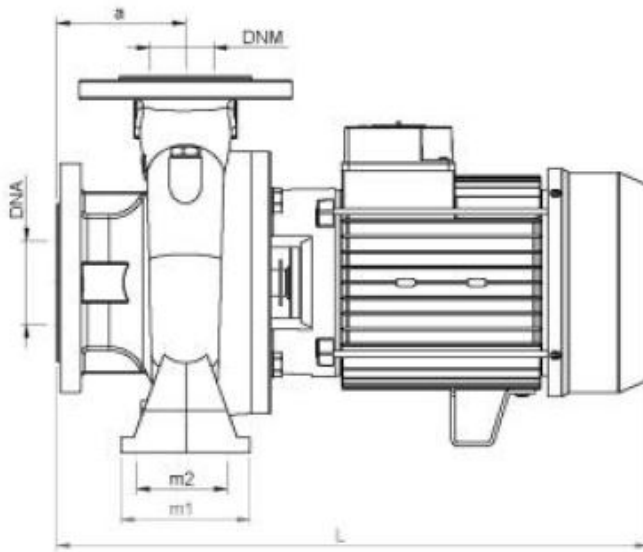
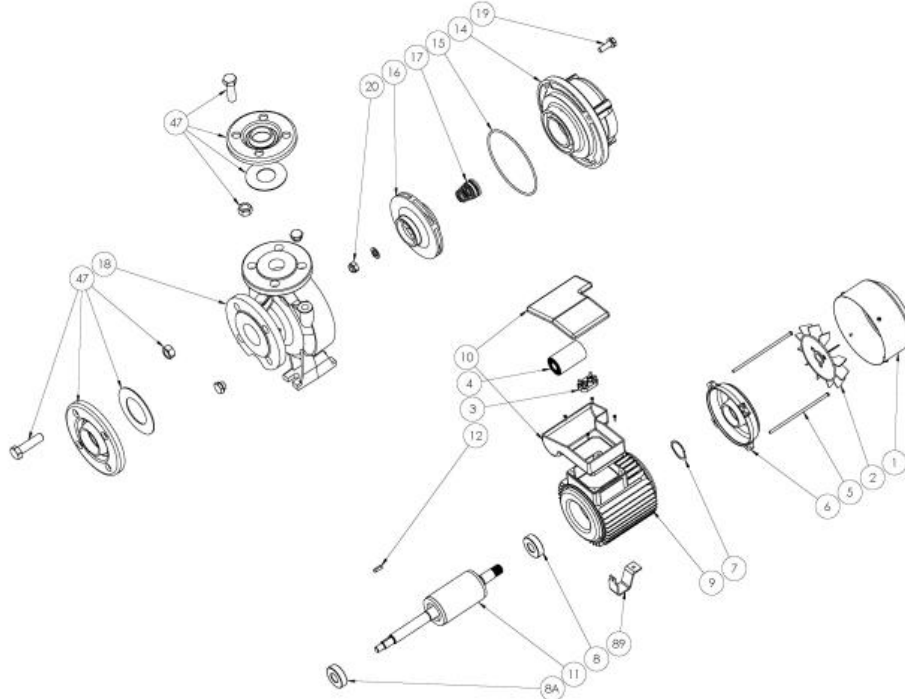
|  |                |  |                |  |          |
|--|----------------|--|----------------|--|----------|
|  |                | SEA LAND S.r.l.<br>(PD) ITALY<br>www.sea-land.it |                | <br>MADE IN ITALY |          |
| Type CN 40-125 A   |                |  |                |  |          |
| H  | 20.9 - 26.7    | m  | Q              | 600 - 150  | l/1'     |
| Hmin   | 15.5           | m  | Hmax           | 25.7   | m        |
|  |                |  | P <sub>1</sub> | 2880   | W        |
|  | 4              | HP   | 3              | kW   | 9.7      |
|  |                |  |                |  | A        |
| 1~   | 220            | V  | 60             | Hz   | η        |
|  |                |  |                |  | %        |
|  | μF             | V  | IP             | 55   | 3500 Rpm |
| S/N  |                | Ins.Cl   | F              | ▽  | m        |
| T. MAX FLUID.  | 35             | °C   | 43.5           | kg   |          |
| Servizio continuo  | Continuos duty |  |                |  |          |

**From**  
Company: Gol pumps  
Reference:  
Address: 6520 Nw 77ct



Phone: 786-613-5872  
Email: info@golpumps.com

Sea-land reserves the right to make changes without prior notice  
Page 2 / 3



| TIPO<br>TYPE | DIMENSIONI [mm]<br>DIMENSIONS [mm] |    |    |     |     |     |     |     |     |    |     |     |       |       |       |       | IMBALLO [mm]<br>PACKING [mm] |     |     | PESO<br>WEIGHT |
|--------------|------------------------------------|----|----|-----|-----|-----|-----|-----|-----|----|-----|-----|-------|-------|-------|-------|------------------------------|-----|-----|----------------|
|              | A                                  | B1 | S  | L   | B   | H   | n1  | n2  | m1  | m2 | H1  | H2  | K asp | K man | B man | B asp | Ai                           | Pi  | Li  | [kg]           |
| CN 40-125 A  | 80                                 | 50 | 14 | 463 | 216 | 252 | 210 | 160 | 100 | 70 | 112 | 140 | 145   | 110   | 18    | 19    | 380                          | 530 | 330 | 43.5           |

| TIPO<br>TYPE | DIMENSIONI [mm]<br>DIMENSIONS [mm] |        |            |            |
|--------------|------------------------------------|--------|------------|------------|
|              | n° asp                             | n° man | DNA (inch) | DNM (inch) |
| CN 40-125 A  | 4                                  | 4      | 65 (2.5")  | 40 (1.5")  |

**From**  
Company: Gol pumps  
Reference:  
Address: 6520 Nw 77ct



Phone: 786-613-5872  
Email: info@golpumps.com

Sea-land reserves the right to make changes without prior notice  
Page 3 / 3