



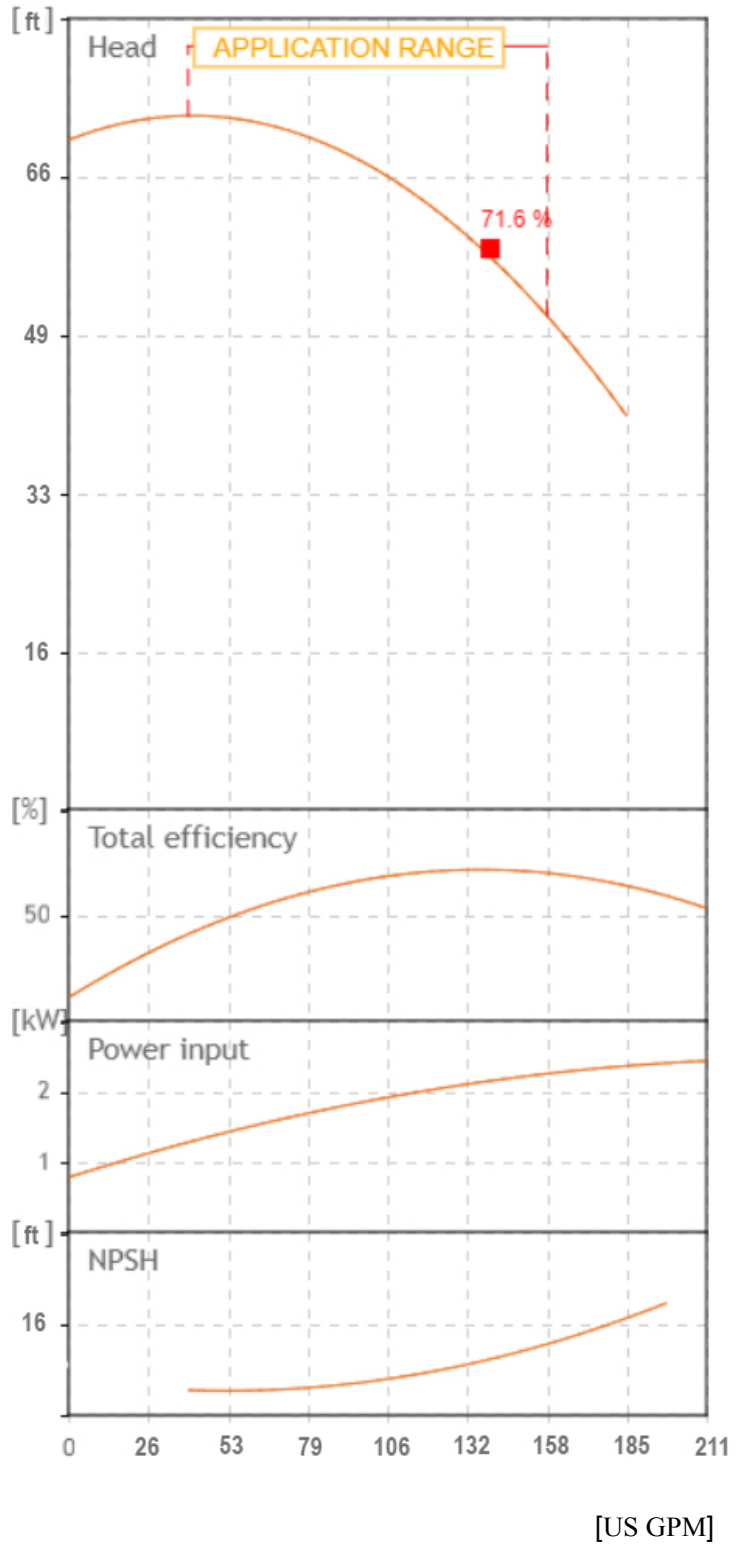
TECHNICAL FEATURES



- Pump body: cast iron G20 with anti-corrosive coating
- Motor bracket: cast iron G20 with anti-corrosive coating
- Orifices in/outlet: ANSI 125
- Impeller: cast iron G20 with cataphoretic treatment; brass for CN 32-160 A/B
- Threaded counter flanges: galvanized steel complete with EPDM gaskets
- Pump shaft: stainless steel AISI 304
- Mechanical seal: carbon-ceramics

MOTOR

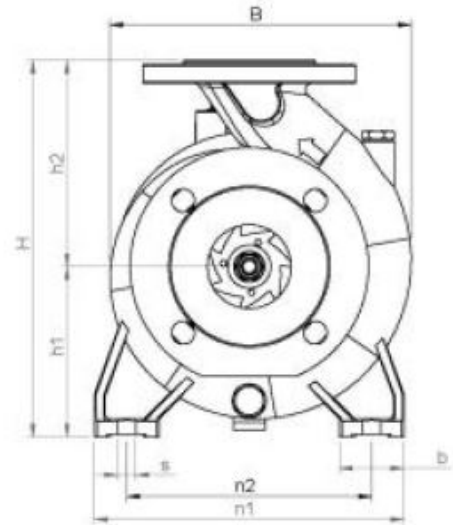
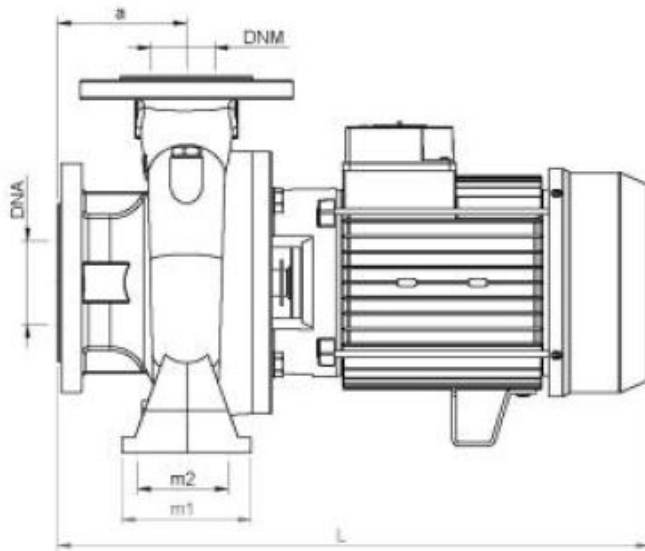
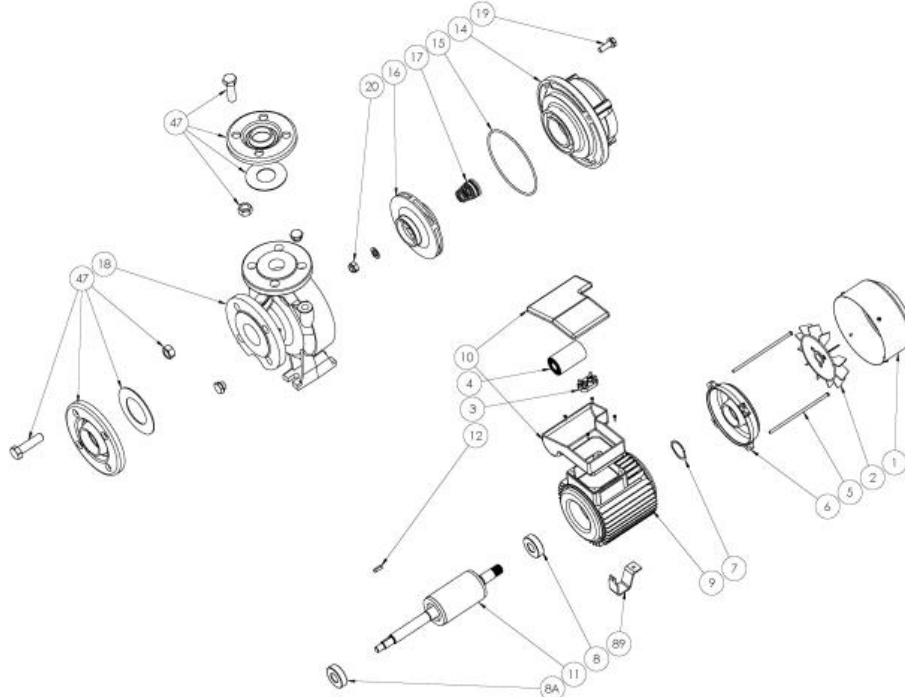
- The control motors are asynchronous, squirrel cage-type, closed, with external ventilation
- Incorporated motor protection and capacitor always on, for single-phase models
  - Class of insulation: F
  - Service: S1
  - Degree of protection: single phase IP 44 (IP 55 on demand); three phase 55
  - Terminal board protection IP 54

Tolerance of curves to ISO 9906



		SEA LAND S.r.l. (PD) ITALY www.sea-land.it				MADE IN ITALY	
Type CN 40-125 B							
H	16 - 21.8	m	Q	600 - 150	l/1'		
Hmin	12.1	m	Hmax	21.3	m	P <sub>1</sub>	2405 W
○	3	HP	2,2	kW	8	○	A
1~	220	V	60	Hz	η	%	
μF	V	IP 55	3500 Rpm				
S/N	Ins.Cl F		▽	m			
T. MAX FLUID.	35	°C	38	kg			
Servizio continuo				Continuous duty			





TIPO TYPE	DIMENSIONI [mm] DIMENSIONS [mm]																IMBALLO [mm] PACKING [mm]			PESO WEIGHT
	A	B1	S	L	B	H	n1	n2	m1	m2	H1	H2	K asp	K man	B asp	B man	Ai	Pi	Li	[kg]
CN 40-125 B	80	50	14	437	216	252	210	160	100	70	112	140	145	110	19	18	380	530	330	38

TIPO TYPE	DIMENSIONI [mm] DIMENSIONS [mm]			
	n° asp	n° man	DNM (inch)	DNA (inch)
CN 40-125 B	4	4	40 (1.5")	65 (2.5")

**From**  
Company: Gol pumps  
Reference:  
Address: 6520 Nw 77ct



Phone: 786-613-5872  
Email: info@golpumps.com

Sea-land reserves the right to make changes without prior notice  
Page 3 / 3