





TECHNICAL FEATURES

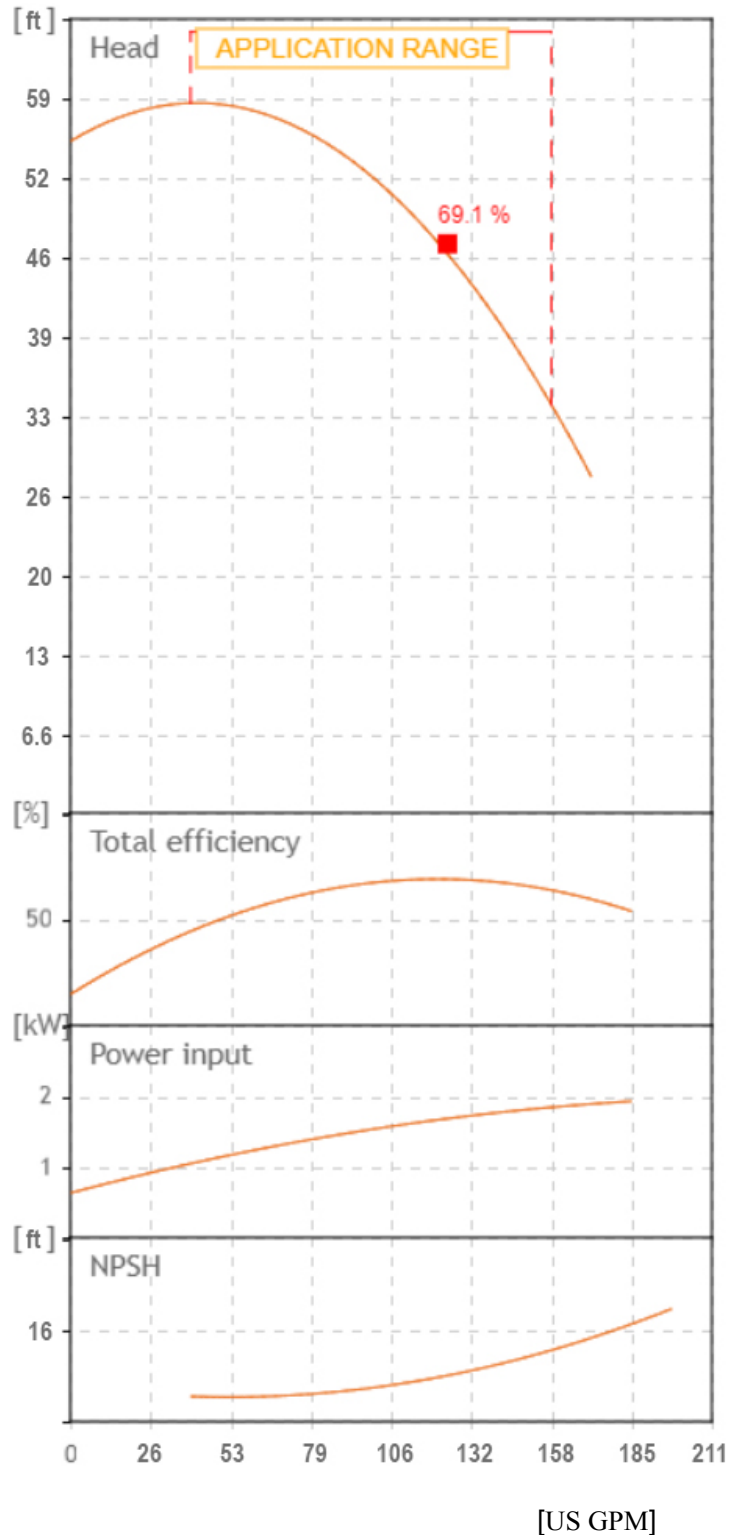
- Pump body: cast iron G20 with anti-corrosive coating
- Motor bracket: cast iron G20 with anti-corrosive coating
- Orifices in/outlet: ANSI 125
- Impeller: cast iron G20 with cataphoretic treatment; brass for CN 32-160 A/B
- Threaded counter flanges: galvanized steel complete with EPDM gaskets
- Pump shaft: stainless steel AISI 304
- Mechanical seal: carbon-ceramics

MOTOR

- The control motors are asynchronous, squirrel cage-type, closed, with external ventilation
- Incorporated motor protection and capacitor always on, for single-phase models
 - Class of insulation: F
 - Service: S1
 - Degree of protection: single phase IP 44 (IP 55 on demand); three phase 55
 - Terminal board protection IP 54

		SEA LAND S.r.l. (PD) ITALY www.sea-land.it		 MADE IN ITALY	
Type CN 40-125 C					
H	10.7 - 18.4	m	Q	600 - 150	l/1'
Hmin	8.2	m	Hmax	17	m
			P ₁	1855	W
	2	HP	1,5	kW	6.5
					A
1~	220	V	60	Hz	η
					%
	μF	V	IP	55	3500 Rpm
S/N		Ins.Cl	F	▽	m
T. MAX FLUID.	35	°C	37.5	kg	
Servizio continuo	Continuos duty				

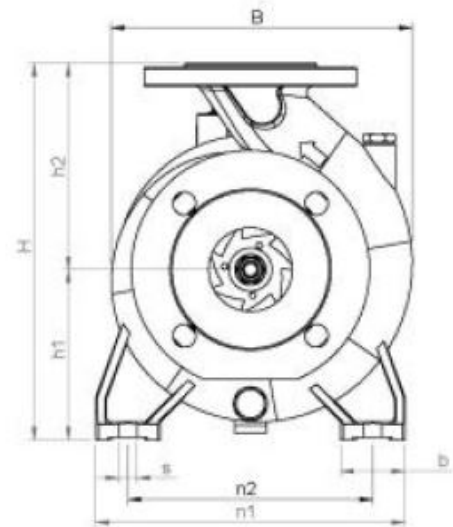
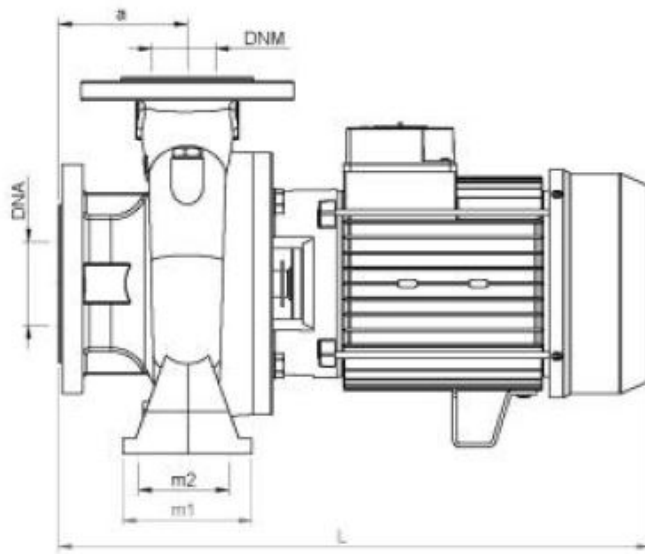
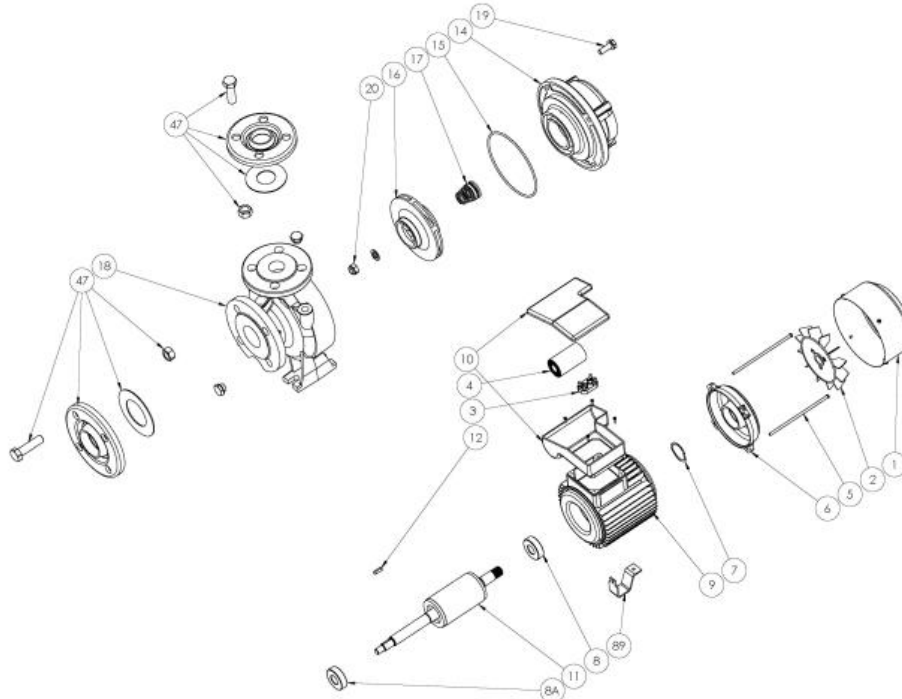
Tolerance of curves to ISO 9906



From
Company: Gol pumps
Reference:
Address: 6520 Nw 77ct

Phone: 786-613-5872
Email: info@golpumps.com

Sea-land reserves the right to make changes without prior notice
Page 2 / 3



TIPO TYPE	DIMENSIONI [mm] DIMENSIONS [mm]																IMBALLO [mm] PACKING [mm]			PESO WEIGHT
	A	B1	S	L	B	H	n1	n2	m1	m2	H1	H2	K asp	K man	B asp	B man	Ai	Pi	Li	[kg]
CN 40-125 C	80	50	14	400	216	252	210	160	100	70	112	140	145	110	19	18	380	530	330	37.5

TIPO TYPE	DIMENSIONI [mm] DIMENSIONS [mm]			
	n° asp	n° man	DNA (inch)	DNM (inch)
CN 40-125 C	4	4	65 (2.5")	40 (1.5")

From
 Company: Gol pumps
 Reference:
 Address: 6520 Nw 77ct

Phone: 786-613-5872
 Email: info@golpumps.com

Sea-land reserves the right to make changes without prior notice
 Page 3 / 3