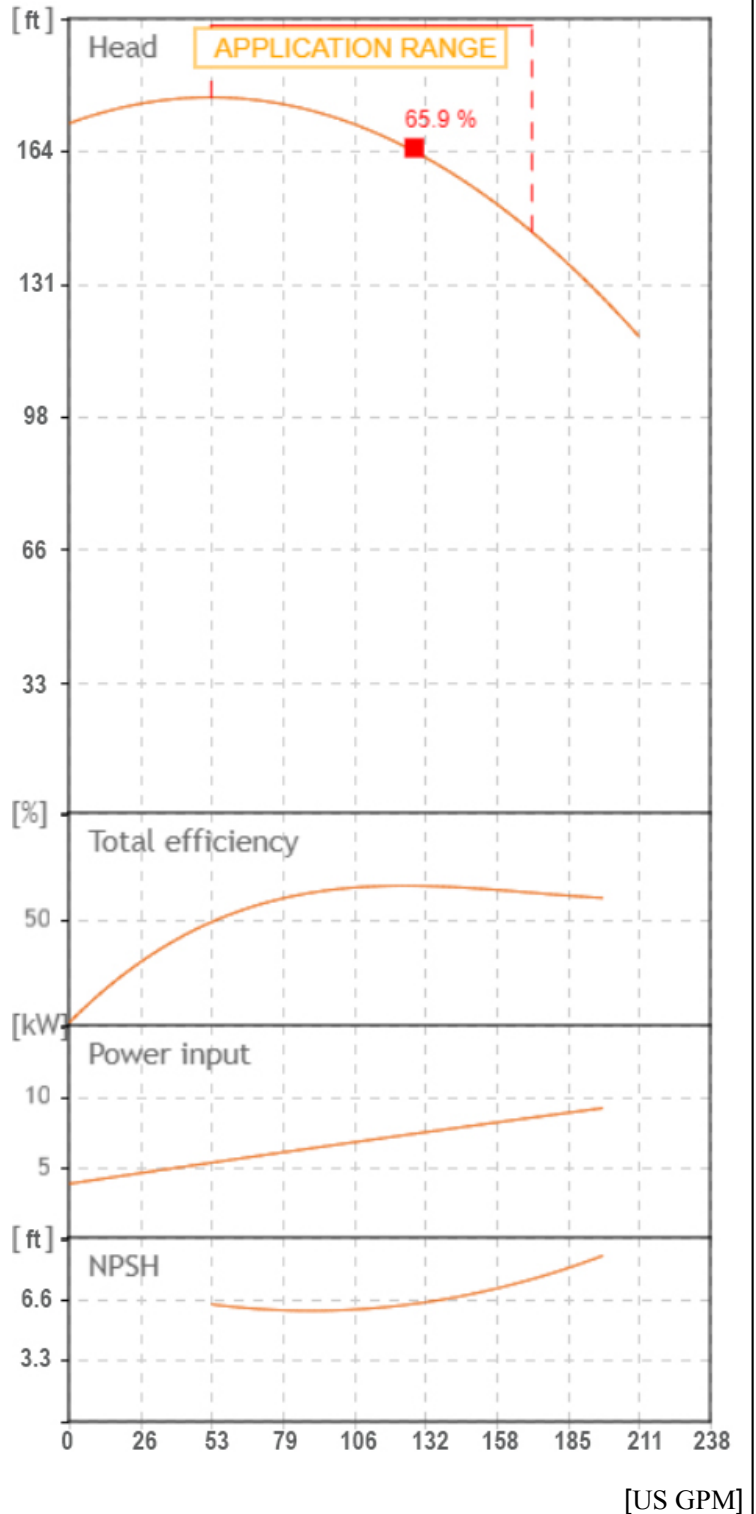




Tolerance of curves to ISO 9906





TECHNICAL FEATURES

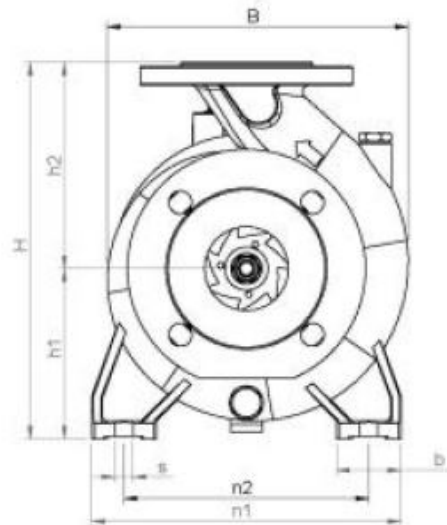
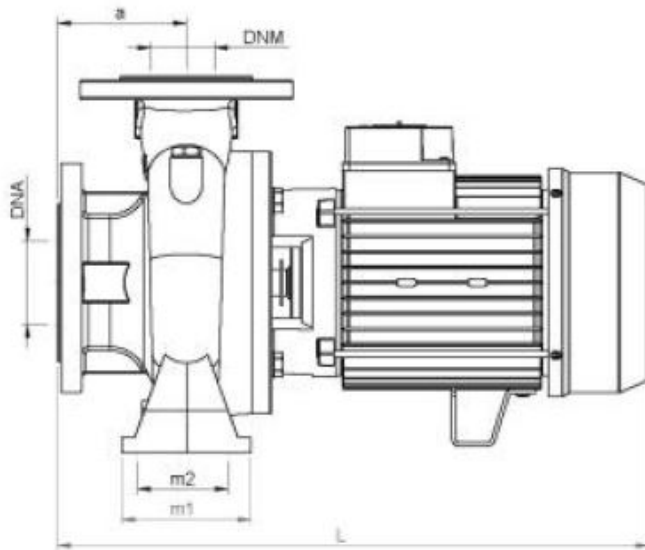
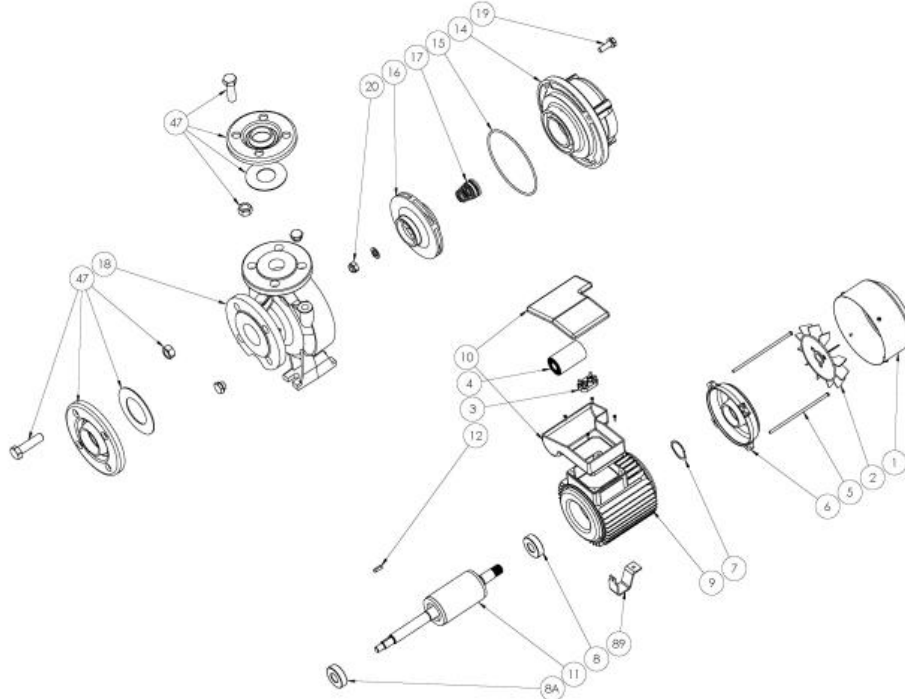
- Pump body: cast iron G20 with anti-corrosive coating
- Motor bracket: cast iron G20 with anti-corrosive coating
- Orifices in/outlet: ANSI 125
- Impeller: cast iron G20 with cataphoretic treatment; brass for CN 32-160 A/B
- Threaded counter flanges: galvanized steel complete with EPDM gaskets
- Pump shaft: stainless steel AISI 304
- Mechanical seal: carbon-ceramics

MOTOR

- The control motors are asynchronous, squirrel cage-type, closed, with external ventilation
- The motor protection for three-phase models must be installed by the customer. Equipment compliant with current standards should be used
  - Class of insulation: F
  - Service: S1
  - Degree of protection: single phase IP 44 (IP 55 on demand); three phase 55
  - Terminal board protection IP 54

		SEA LAND S.r.l. (PD) ITALY www.sea-land.it		 MADE IN ITALY	
Type CN 40-200 A					
H	44.1 - 53.4	m	Q	650 - 200	l/1'
Hmin	35.4	m	Hmax	52.9	m
			P <sub>1</sub>	7150	W
	10	HP	7,5	kW	21.1 - 10.5
					A
3~	220 / 460	V	60	Hz	η
					%
	μF	V	IP	55	3500 Rpm
S/N		Ins.Cl	F	▽	m
T. MAX FLUID.	35	°C	84.5	kg	
Servizio continuo	Continuos duty				





TIPO TYPE	DIMENSIONI [mm] DIMENSIONS [mm]														IMBALLO [mm] PACKING [mm]			PESO WEIGHT		
	A	B1	S	L	B	H	n1	n2	m1	m2	H1	H2	K asp	K man	B asp	B man	Ai	Pi	Li	[kg]
CN 40-200 A	100	50	14	557	278	340	265	212	100	70	160	180	145	110	19	18	450	650	370	84.5

TIPO TYPE	DIMENSIONI [mm] DIMENSIONS [mm]			
	n° asp	n° man	DNA (inch)	DNM (inch)
CN 40-200 A	4	4	65 (2.5")	40 (1.5")

**From**  
Company: Gol pumps  
Reference:  
Address: 6520 Nw 77ct



Phone: 786-613-5872  
Email: info@golpumps.com

Sea-land reserves the right to make changes without prior notice  
Page 3 / 3