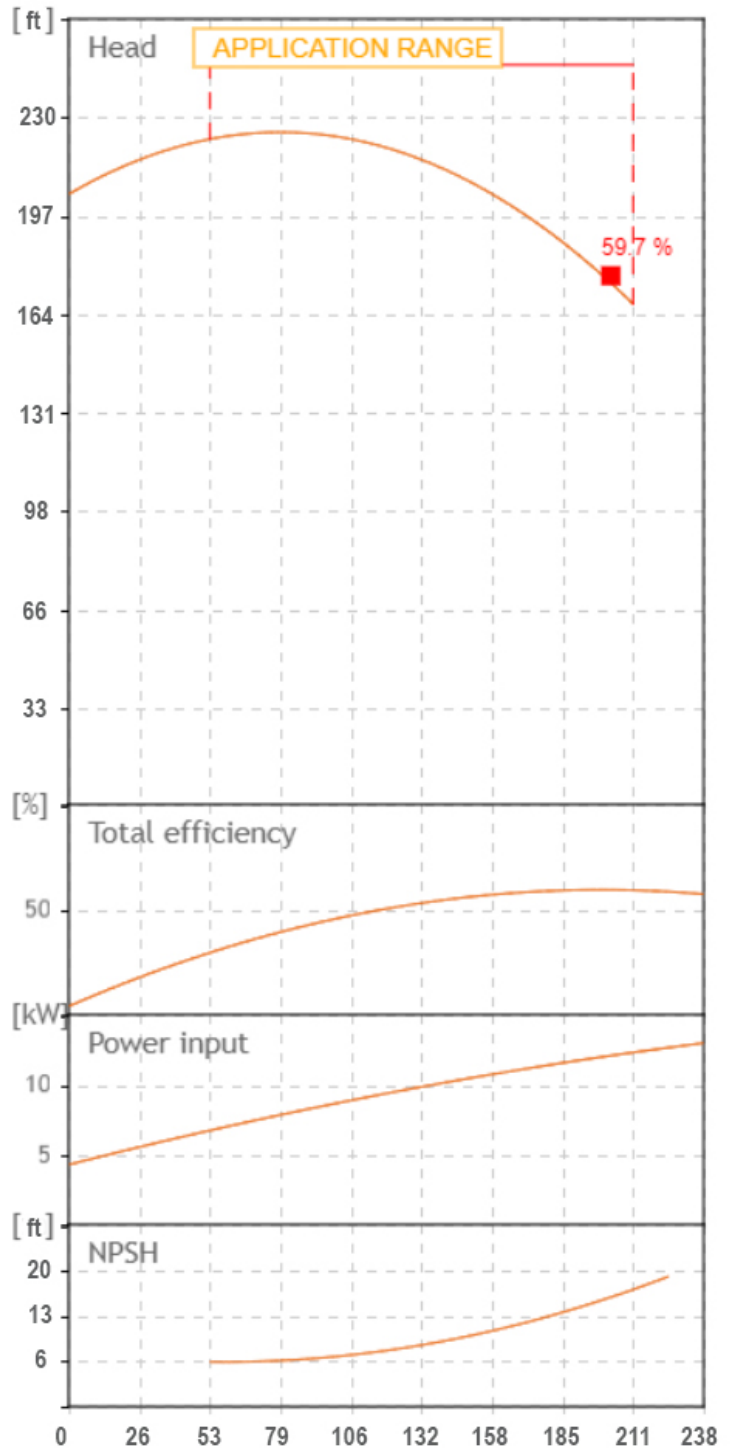




Tolerance of curves to ISO 9906





TECHNICAL FEATURES

- Pump body: cast iron G20 with anti-corrosive coating
- Motor bracket: cast iron G20 with anti-corrosive coating
- Orifices in/outlet: ANSI 125
- Impeller: cast iron G20 with cataphoretic treatment; brass for CN 32-160 A/B
- Threaded counter flanges: galvanized steel complete with EPDM gaskets
- Pump shaft: stainless steel AISI 304
- Mechanical seal: carbon-ceramics

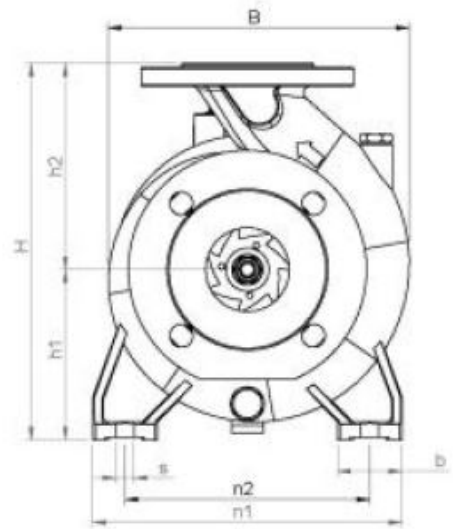
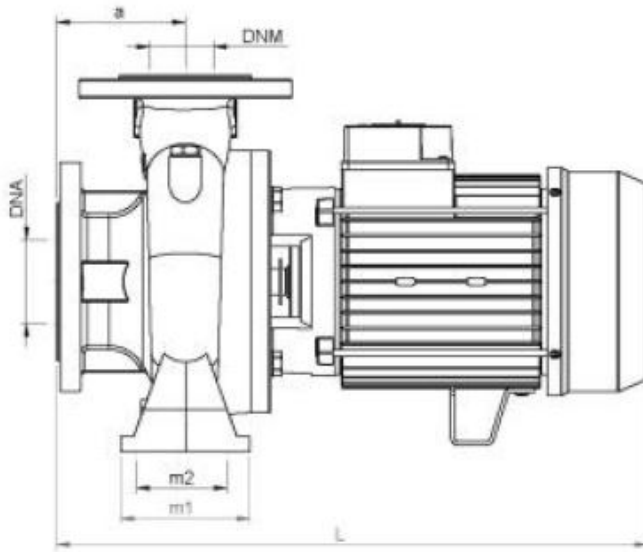
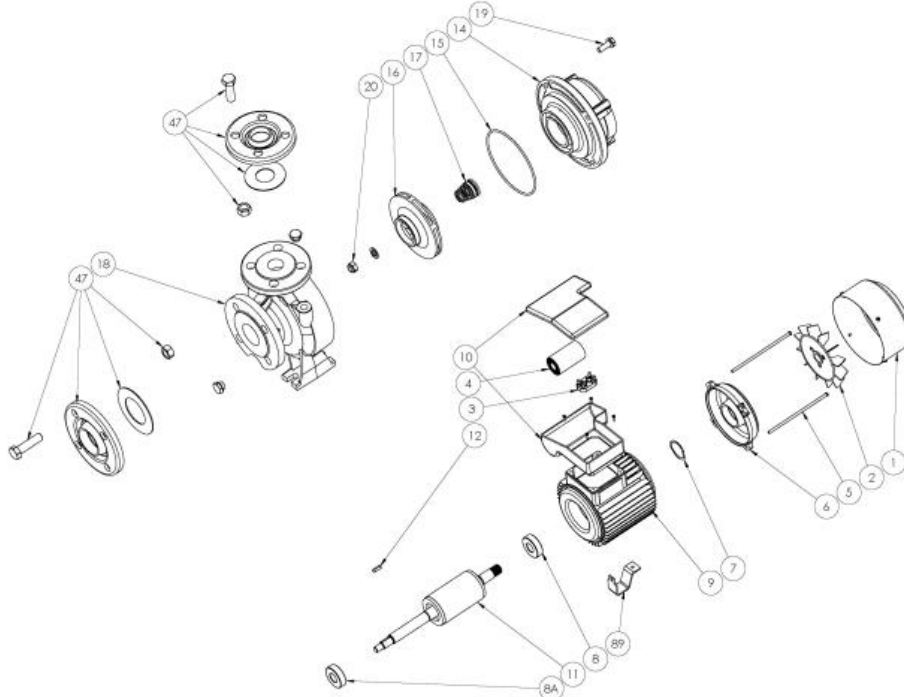
MOTOR

- The control motors are asynchronous, squirrel cage-type, closed, with external ventilation
- The motor protection for three-phase models must be installed by the customer. Equipment compliant with current standards should be used
 - Class of insulation: F
 - Service: S1
 - Degree of protection: single phase IP 44 (IP 55 on demand); three phase 55
 - Terminal board protection IP 54

		SEA LAND S.r.l. (PD) ITALY www.sea-land.it				MADE IN ITALY	
Type CN 40-250 B							
H	52.9 - 69.8		m	Q	800 - 200		l/1'
Hmin	52.9	m	Hmax	69.8	m	P ₁	13500 W
Ø	15	HP	11	kW	41.6 - 20.8		Ø A
3~	220 / 460		V	60	Hz	η	%
µF	V		IP	55	3500 Rpm		
S/N	Ins.Cl F		▽	m			
T. MAX FLUID.	35 °C		104.5	kg			
Servizio continuo				Continuous duty			

[US GPM]





TIPO TYPE	DIMENSIONI [mm] DIMENSIONS [mm]																IMBALLO [mm] PACKING [mm]			PESO WEIGHT
	A	B1	S	L	B	H	n1	n2	m1	m2	H1	H2	K asp	K man	B asp	B man	Ai	Pi	Li	[kg]
CN 40-250 B	100	65	14	600	328	405	320	250	125	95	180	225	145	110	19	18	480	720	430	104.5

TIPO TYPE	DIMENSIONI [mm] DIMENSIONS [mm]			
	n° asp	n° man	DNA (inch)	DNM (inch)
CN 40-250 B	4	4	65 (2.5")	40 (1.5")

From
Company: Gol pumps
Reference:
Address: 6520 Nw 77ct



Phone: 786-613-5872
Email: info@golpumps.com

Sea-land reserves the right to make changes without prior notice
Page 3 / 3