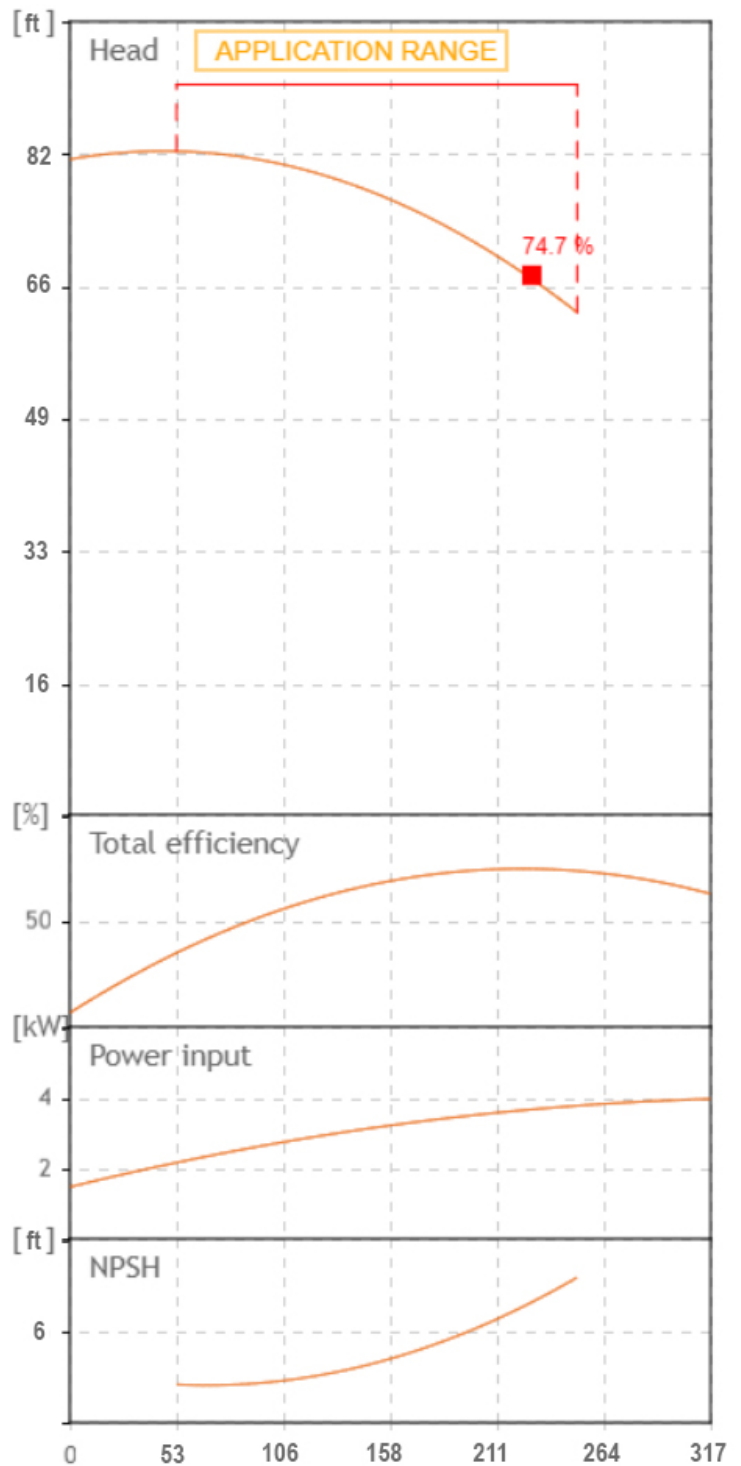




Tolerance of curves to ISO 9906





TECHNICAL FEATURES

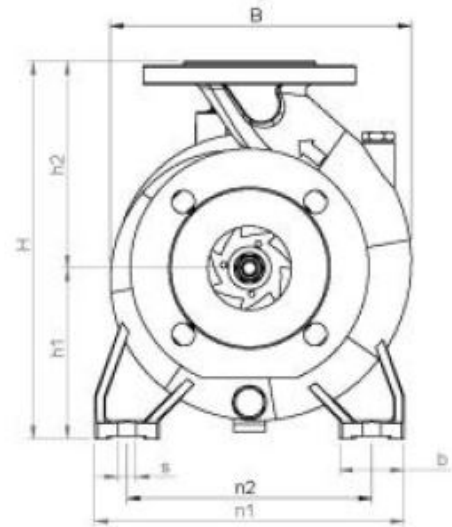
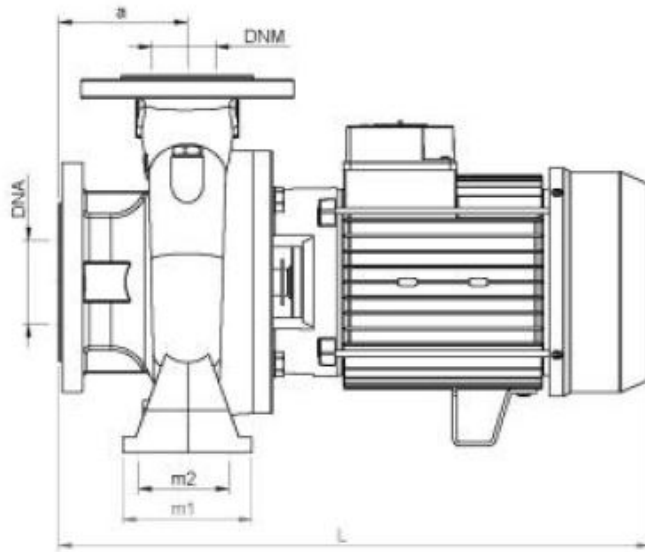
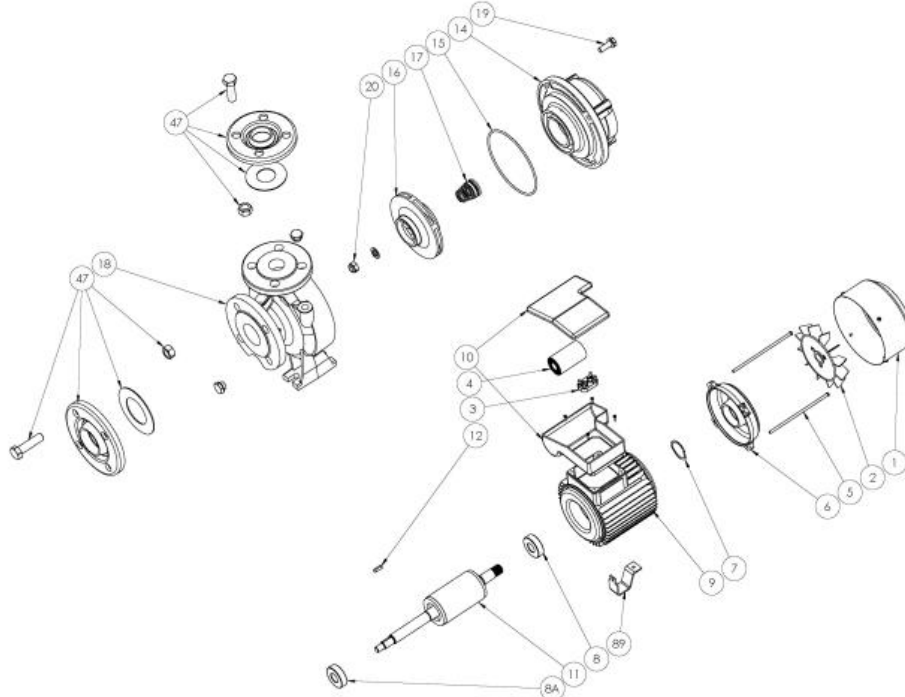
- Pump body: cast iron G20 with anti-corrosive coating
- Motor bracket: cast iron G20 with anti-corrosive coating
- Orifices in/outlet: ANSI 125
- Impeller: cast iron G20 with cataphoretic treatment; brass for CN 32-160 A/B
- Threaded counter flanges: galvanized steel complete with EPDM gaskets
- Pump shaft: stainless steel AISI 304
- Mechanical seal: carbon-ceramics

MOTOR

- The control motors are asynchronous, squirrel cage-type, closed, with external ventilation
- The motor protection for three-phase models must be installed by the customer. Equipment compliant with current standards should be used
  - Class of insulation: F
  - Service: S1
  - Degree of protection: single phase IP 44 (IP 55 on demand); three phase 55
  - Terminal board protection IP 54

		SEA LAND S.r.l. (PD) ITALY www.sea-land.it				MADE IN ITALY	
Type CN 50-125 A							
H	18.9 - 25.2	m	Q	950 - 200	l/1'		
Hmin	18.9	m	Hmax	24.7	m	P <sub>1</sub>	4800 W
○	5,5	HP	4	kW	○	14.7 - 7.5	A
3~	220 / 460	V	60	Hz	η	%	
μF		V	IP 55			3500 Rpm	
S/N		Ins.Cl F	▽			m	
T. MAX FLUID.	35 °C	52	kg				
Servizio continuo				Continuous duty			





TIPO TYPE	DIMENSIONI [mm] DIMENSIONS [mm]																IMBALLO [mm] PACKING [mm]			PESO WEIGHT
	A	B1	S	L	B	H	n1	n2	m1	m2	H1	H2	K asp	K man	B asp	B man	Ai	Pi	Li	[kg]
CN 50-125 A	100	50	14	483	248	292	240	190	100	70	132	160	145	125	19	19	380	530	330	52

TIPO TYPE	DIMENSIONI [mm] DIMENSIONS [mm]			
	n° asp	n° man	DNA (inch)	DNM (inch)
CN 50-125 A	4	4	65 (2.5")	50 (2")

**From**  
Company: Gol pumps  
Reference:  
Address: 6520 Nw 77ct



Phone: 786-613-5872  
Email: info@golpumps.com

Sea-land reserves the right to make changes without prior notice  
Page 3 / 3