



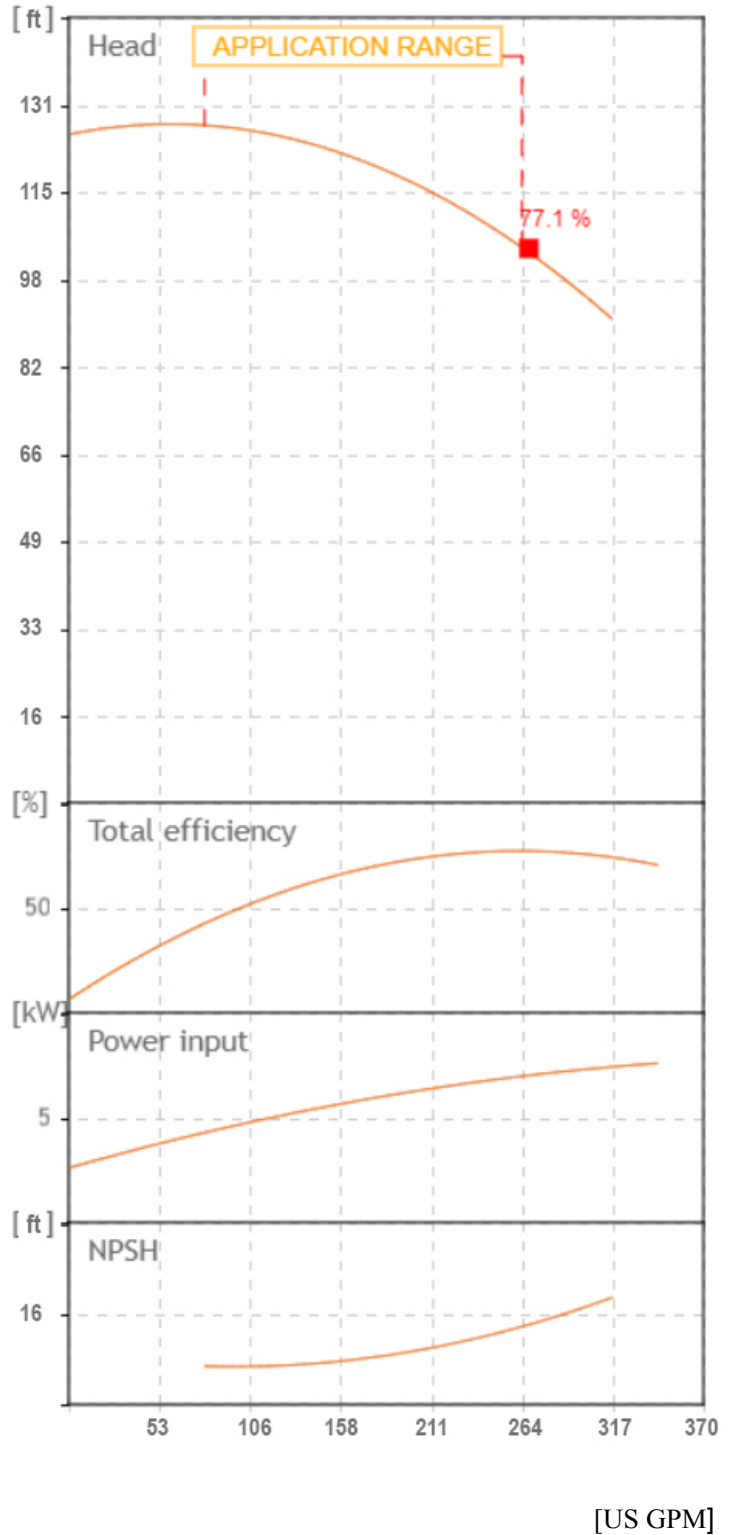
TECHNICAL FEATURES



- Pump body: cast iron G20 with anti-corrosive coating
- Motor bracket: cast iron G20 with anti-corrosive coating
- Orifices in/outlet: ANSI 125
- Impeller: cast iron G20 with cataphoretic treatment; brass for CN 32-160 A/B
- Threaded counter flanges: galvanized steel complete with EPDM gaskets
- Pump shaft: stainless steel AISI 304
- Mechanical seal: carbon-ceramics

MOTOR

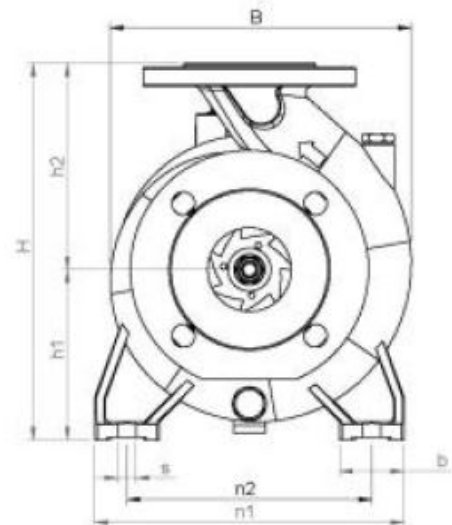
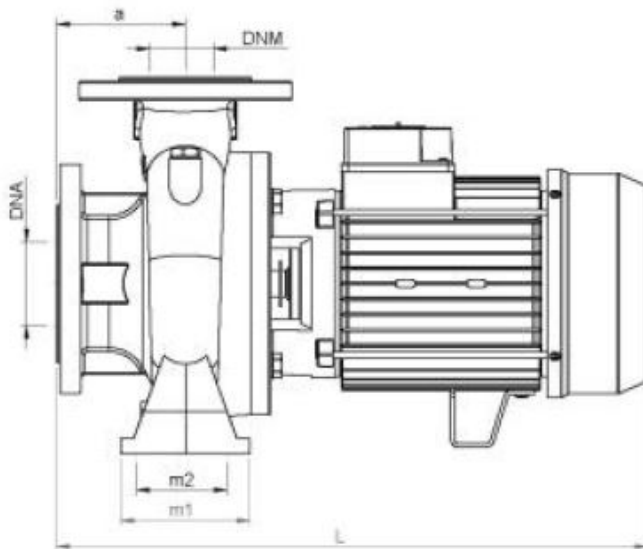
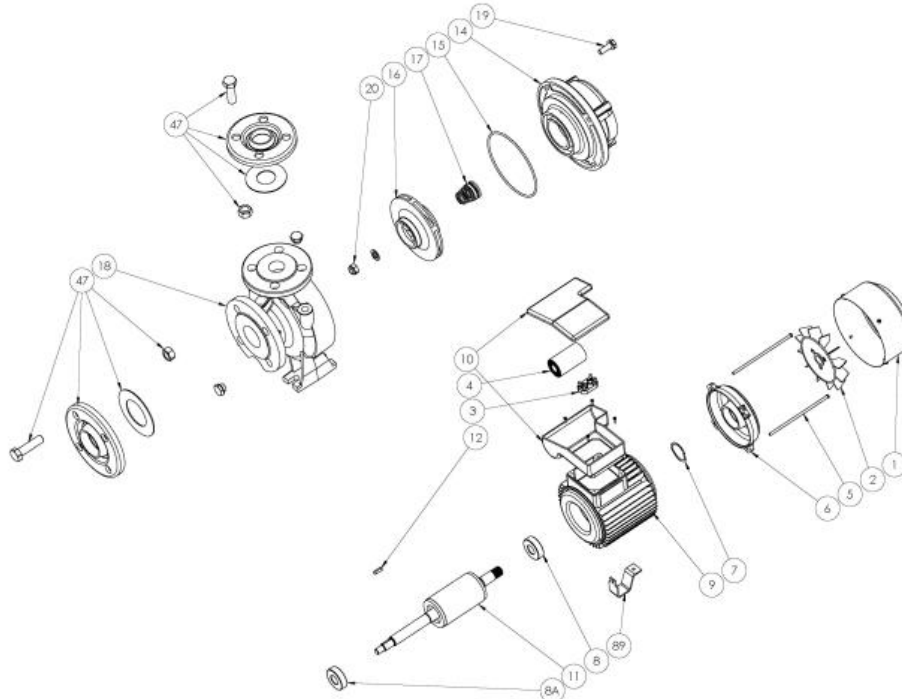
- The control motors are asynchronous, squirrel cage-type, closed, with external ventilation
- The motor protection for three-phase models must be installed by the customer. Equipment compliant with current standards should be used
  - Class of insulation: F
  - Service: S1
  - Degree of protection: single phase IP 44 (IP 55 on demand); three phase 55
  - Terminal board protection IP 54

Tolerance of curves to ISO 9906



		SEA LAND S.r.l. (PD) ITALY www.sea-land.it		 MADE IN ITALY	
Type CN 50-160 A					
H	32 - 38.8	m	Q	1000 - 300	l/1'
Hmin	27.2	m	Hmax	38.3	m
			P <sub>1</sub>	7150	W
	10	HP	7,5	kW	21.1 - 10.5
					A
	3~	220 / 460	V	60	Hz
				η	%
	μF	V	IP	55	3500
					Rpm
S/N		Ins.Cl	F	▽	m
T. MAX FLUID.	35	°C	80.5	kg	
Servizio continuo	Continuous duty				





TIPO TYPE	DIMENSIONI [mm] DIMENSIONS [mm]																IMBALLO [mm] PACKING [mm]			PESO WEIGHT
	A	B1	S	L	B	H	n1	n2	m1	m2	H1	H2	K man	K asp	B asp	B man	Ai	Pi	Li	[kg]
CN 50-160 A	100	50	14	557	248	292	240	190	100	70	132	160	125	145	19	19	380	530	330	80.5

TIPO TYPE	DIMENSIONI [mm] DIMENSIONS [mm]			
	n° asp	n° man	DNA (inch)	DNM (inch)
CN 50-160 A	4	4	65 (2.5")	50 (2")

**From**  
Company: Gol pumps  
Reference:  
Address: 6520 Nw 77ct



Phone: 786-613-5872  
Email: info@golpumps.com

Sea-land reserves the right to make changes without prior notice  
Page 3 / 3