





TECHNICAL FEATURES

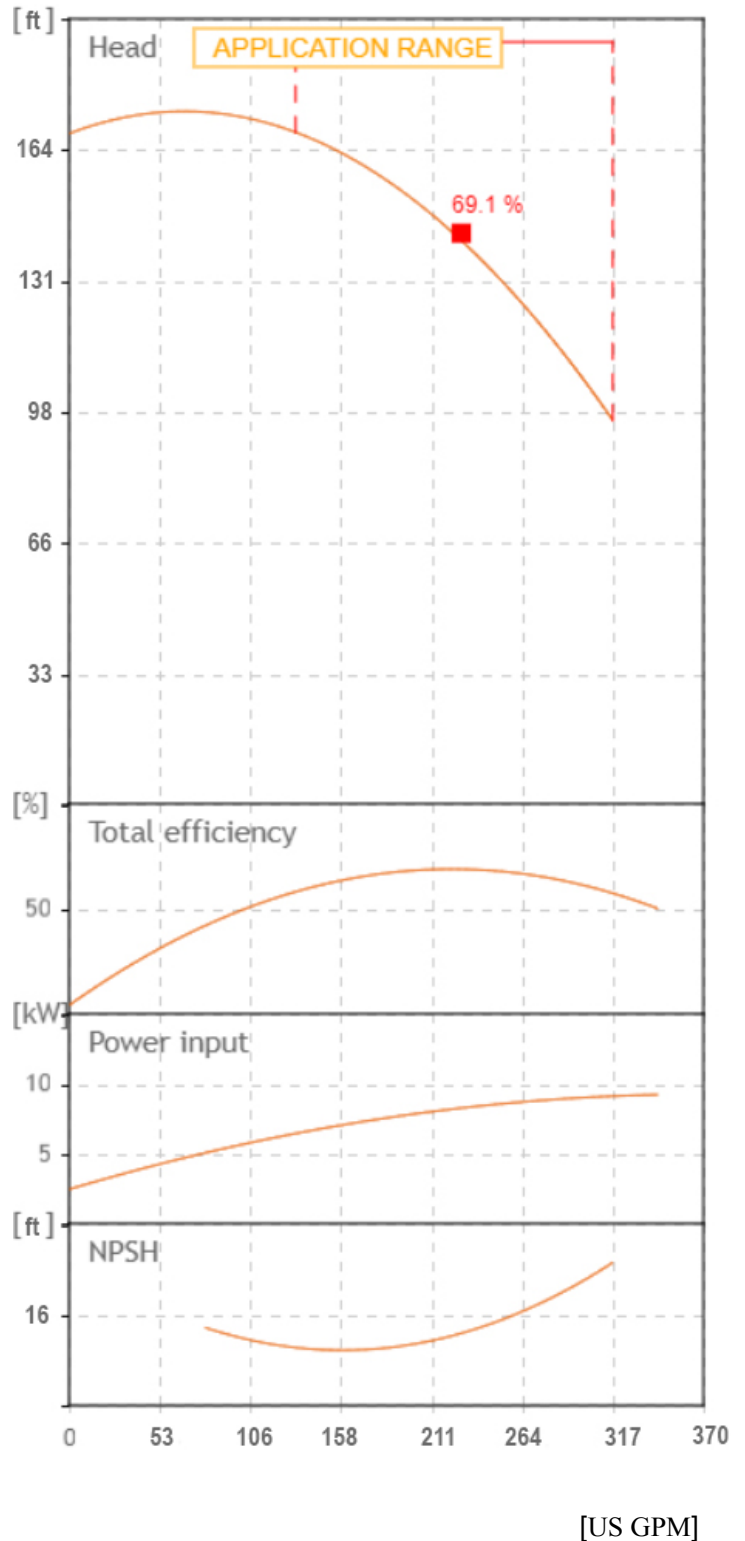
- Pump body: cast iron G20 with anti-corrosive coating
- Motor bracket: cast iron G20 with anti-corrosive coating
- Orifices in/outlet: ANSI 125
- Impeller: cast iron G20 with cataphoretic treatment; brass for CN 32-160 A/B
- Threaded counter flanges: galvanized steel complete with EPDM gaskets
- Pump shaft: stainless steel AISI 304
- Mechanical seal: carbon-ceramics

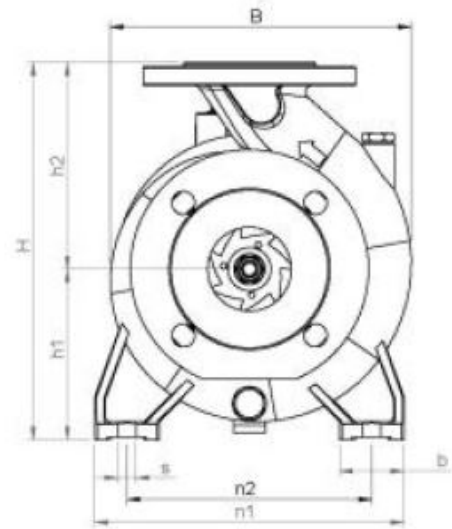
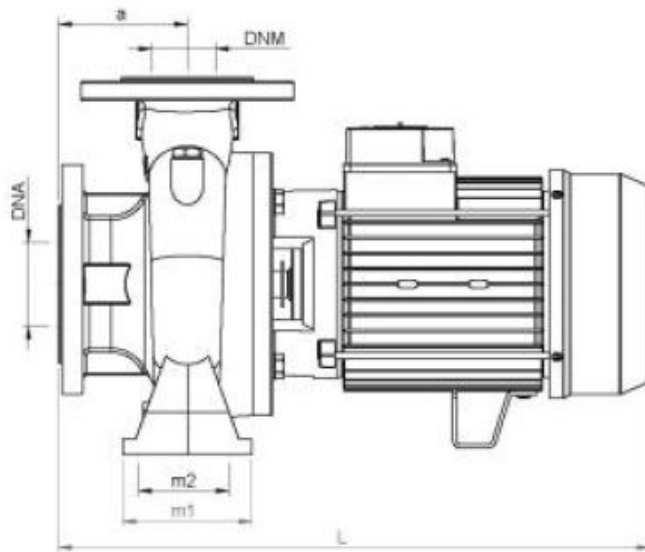
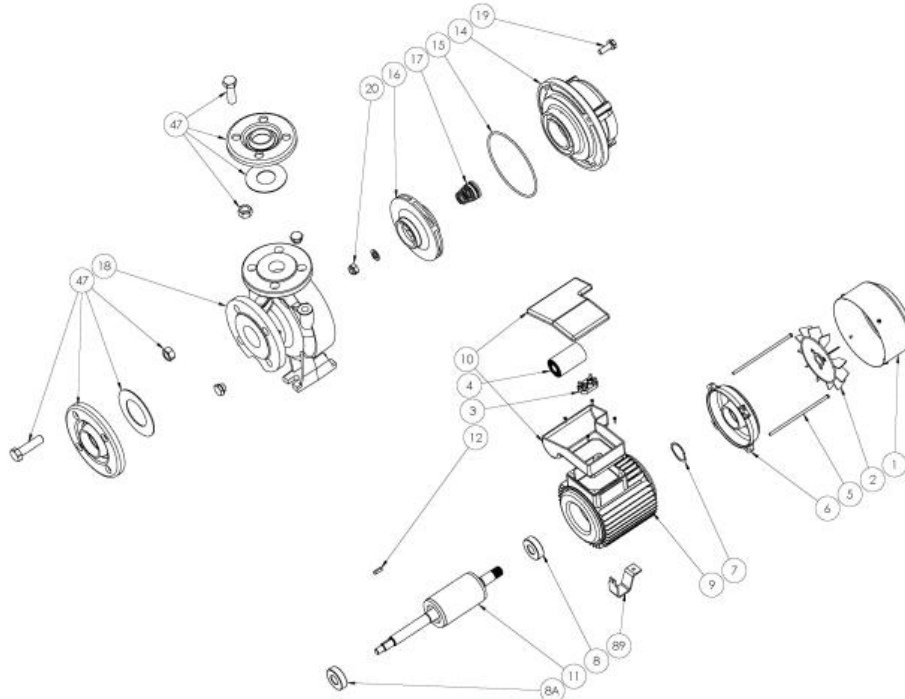
MOTOR

- The control motors are asynchronous, squirrel cage-type, closed, with external ventilation
- The motor protection for three-phase models must be installed by the customer. Equipment compliant with current standards should be used
 - Class of insulation: F
 - Service: S1
 - Degree of protection: single phase IP 44 (IP 55 on demand); three phase 55
 - Terminal board protection IP 54

| | | | | | |
|--|-------------|---|-----------------|---|-----------------|
|  | | SEA LAND S.r.l. (PD) ITALY www.sea-land.it | |  MADE IN ITALY | |
| Type CN 50-200 B | | | | | |
| H | 29.1 - 51.9 | m | Q | 1200 - 500 | l/1' |
| Hmin | 29.1 | m | Hmax | 50.9 | m |
| | | | P ₁ | 10620 | W |
| ○ | 15 | HP | 11 | kW | 33.2 - 16.6 ○ A |
| 3~ | 220 / 460 | V | 60 | Hz | η % |
| μF | V | IP 55 | 3500 Rpm | | |
| S/N | Ins.Cl F | | ▽ | m | |
| T. MAX FLUID. | 35 °C | 99.5 | kg | | |
| Servizio continuo | | | Continuous duty | | |

Tolerance of curves to ISO 9906





| TIPO TYPE | DIMENSIONI [mm] DIMENSIONS [mm] | | | | | | | | | | | | | | | IMBALLO [mm] PACKING [mm] | | | PESO WEIGHT | |
|--------------|------------------------------------|----|----|-----|-----|-----|-----|-----|-----|----|-----|-----|-------|-------|-------|------------------------------|-----|-----|----------------|------|
| | A | B1 | S | L | B | H | n1 | n2 | m1 | m2 | H1 | H2 | K asp | K man | B asp | B man | Ai | Pi | Li | [kg] |
| CN 50-200 B | 100 | 50 | 14 | 600 | 290 | 360 | 265 | 212 | 100 | 70 | 160 | 200 | 145 | 125 | 19 | 19 | 480 | 720 | 430 | 99.5 |

| TIPO TYPE | DIMENSIONI [mm] DIMENSIONS [mm] | | | |
|--------------|------------------------------------|--------|------------|------------|
| | n° asp | n° man | DNA (inch) | DNM (inch) |
| CN 50-200 B | 4 | 4 | 65 (2.5") | 50 (2") |

From
Company: Gol pumps
Reference:
Address: 6520 Nw 77ct



Phone: 786-613-5872
Email: info@golpumps.com

Sea-land reserves the right to make changes without prior notice
Page 3 / 3