



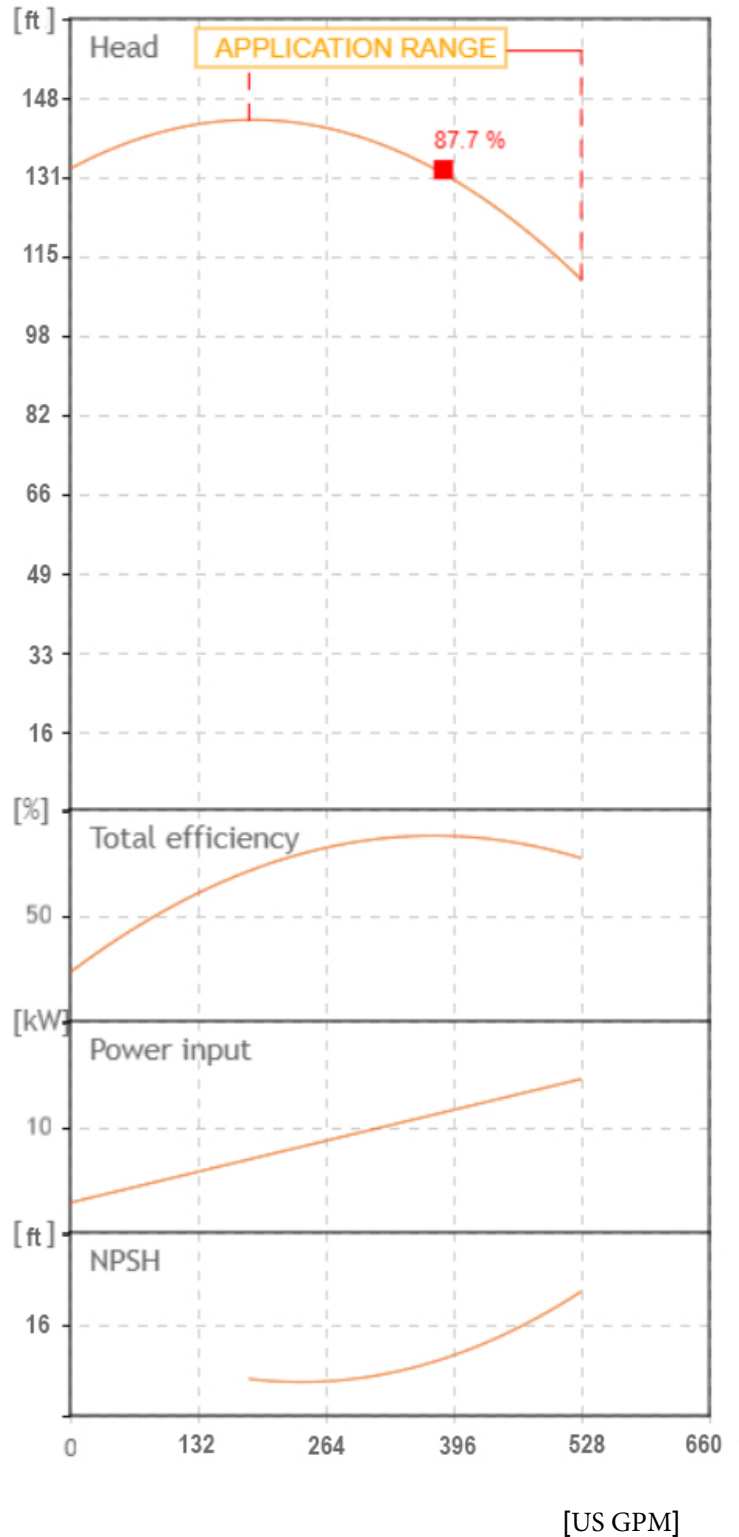
**TECHNICAL FEATURES**



- Pump body: cast iron G20 with anti-corrosive coating
- Motor bracket: cast iron G20 with anti-corrosive coating
- Orifices in/outlet: ANSI 125
- Impeller: cast iron G20 with cataphoretic treatment; brass for CN 32-160 A/B
- Threaded counter flanges: galvanized steel complete with EPDM gaskets
- Pump shaft: stainless steel AISI 304
- Mechanical seal: carbon-ceramics

**MOTOR**

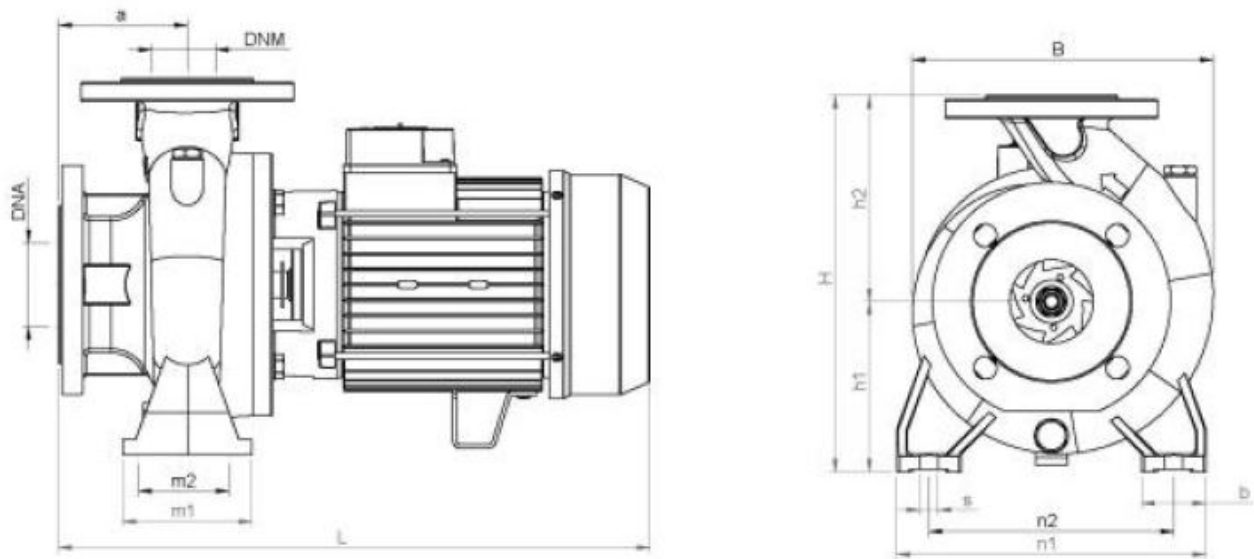
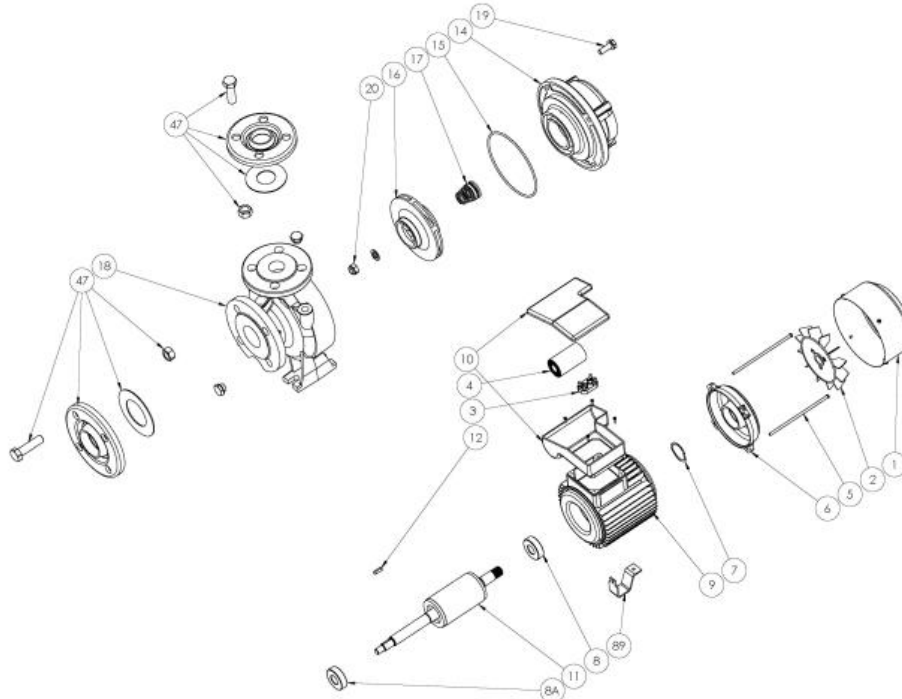
- The control motors are asynchronous, squirrel cage-type, closed, with external ventilation
- The motor protection for three-phase models must be installed by the customer. Equipment compliant with current standards should be used
  - Class of insulation: F
  - Service: S1
  - Degree of protection: single phase IP 44 (IP 55 on demand); three phase 55
  - Terminal board protection IP 54

**Tolerance of curves to ISO 9906**



		<b>SEA LAND S.r.l.</b> (PD) ITALY www.sea-land.it		 MADE IN ITALY	
Type CN 65-160 A					
H	33.5 - 43.7	m	Q	2000 - 700	l/1'
Hmin	33.5	m	Hmax	40.3	m
	20	HP		15	kW
	3~	220 / 460	V	60	Hz
			IP	55	
					3500 Rpm
S/N		Ins.Cl	F		▽ m
T. MAX FLUID.	35	°C	142	kg	
Servizio continuo	Continuos duty				





TIPO TYPE	DIMENSIONI [mm] DIMENSIONS [mm]																IMBALLO [mm] PACKING [mm]			PESO WEIGHT
	A	B1	S	L	B	H	n1	n2	m1	m2	H1	H2	K asp	K man	B asp	B man	Ai	Pi	Li	[kg]
CN 65-160 A	100	65	14	686	290	360	280	212	125	95	160	200	160	145	22	19	480	880	430	142

TIPO TYPE	DIMENSIONI [mm] DIMENSIONS [mm]			
	n° asp	n° man	DNA (inch)	DNM (inch)
CN 65-160 A	4	4	80 (3")	65 (2.5")

**From**  
Company: Gol pumps  
Reference:  
Address: 6520 Nw 77ct



Phone: 786-613-5872  
Email: info@golpumps.com

Sea-land reserves the right to make changes without prior notice  
Page 2 / 2