



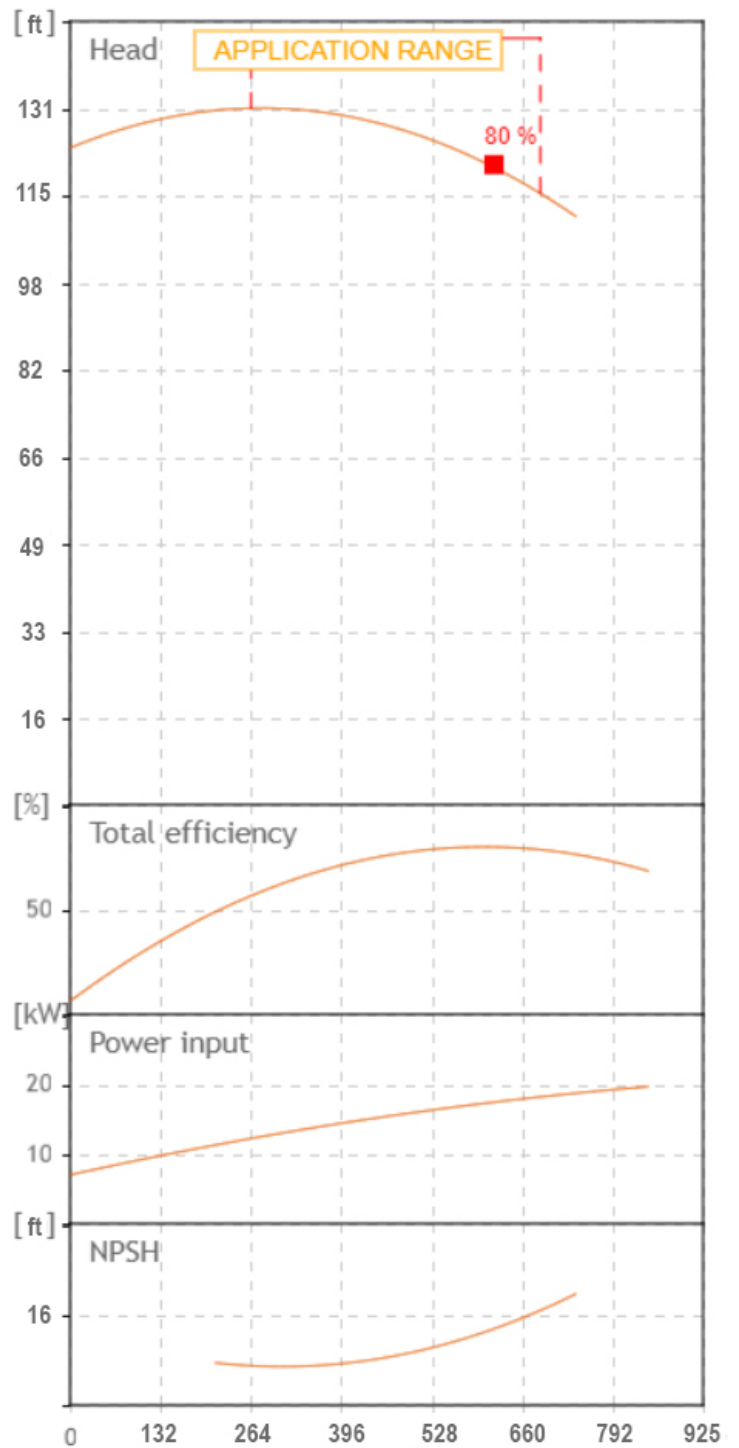
**TECHNICAL FEATURES**



- Pump body: cast iron G20 with anti-corrosive coating
- Motor bracket: cast iron G20 with anti-corrosive coating
- Orifices in/outlet: ANSI 125
- Impeller: cast iron G20 with cataphoretic treatment; brass for CN 32-160 A/B
- Threaded counter flanges: galvanized steel complete with EPDM gaskets
- Pump shaft: stainless steel AISI 304
- Mechanical seal: carbon-ceramics

**MOTOR**

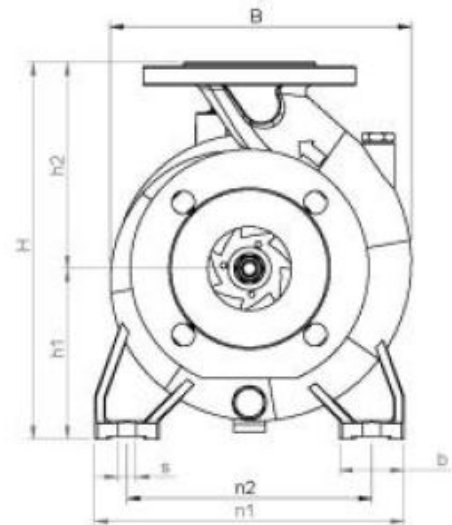
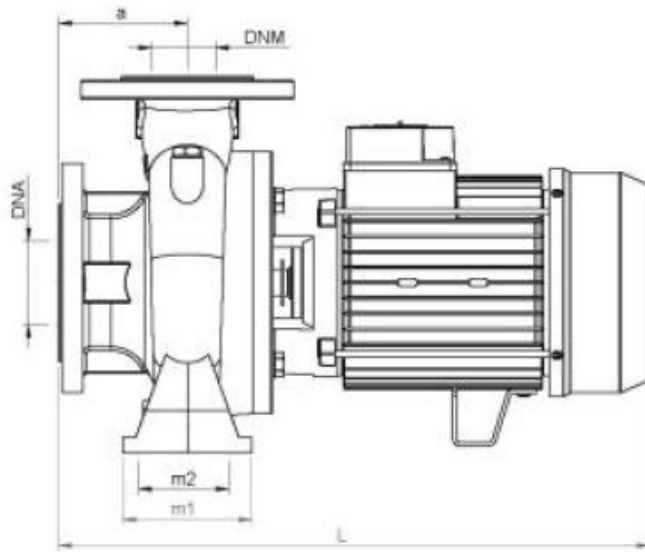
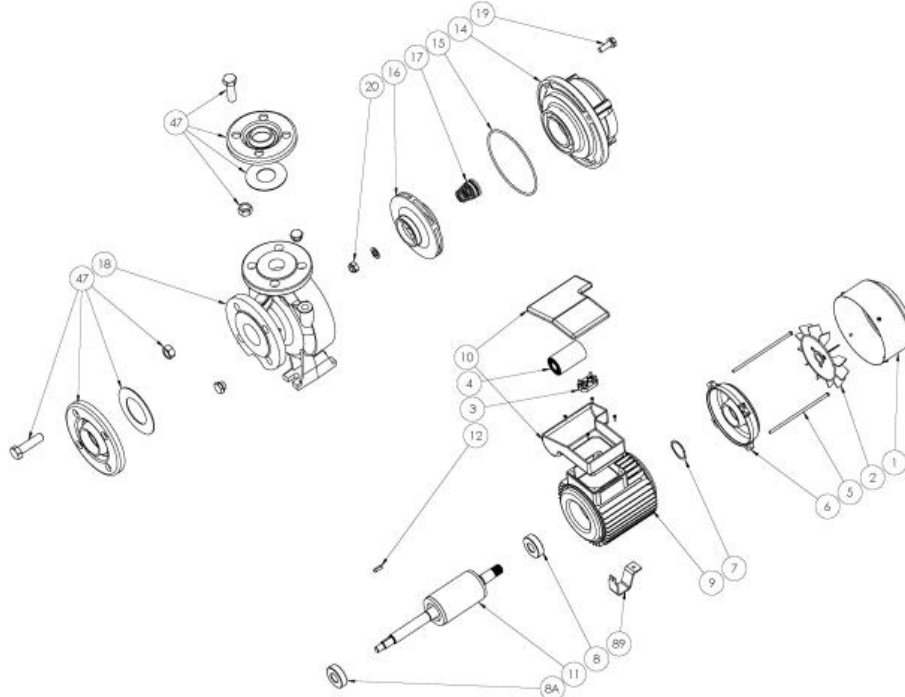
- The control motors are asynchronous, squirrel cage-type, closed, with external ventilation
- The motor protection for three-phase models must be installed by the customer. Equipment compliant with current standards should be used
  - Class of insulation: F
  - Service: S1
  - Degree of protection: single phase IP 44 (IP 55 on demand); three phase 55
  - Terminal board protection IP 54

**Tolerance of curves to ISO 9906**



		<b>SEA LAND S.r.l.</b> (PD) ITALY www.sea-land.it		 <b>MADE IN ITALY</b>	
Type CN 80-160 A					
H	35.4 - 40.3	m	Q	2600 - 1000	l/1'
Hmin 34	m	Hmax 40.9	m	P <sub>1</sub>	23830 W
○	30 HP	22	kW	72.8 - 36.5	○ A
3~	220 / 460 V	60	Hz	η	%
μF	V	IP 55	3500 Rpm		
S/N	Ins.Cl F		▽	m	
T. MAX FLUID.	35 °C	164.5	kg		
Servizio continuo			Continuous duty		





TIPO TYPE	DIMENSIONI [mm] DIMENSIONS [mm]														IMBALLO [mm] PACKING [mm]			PESO WEIGHT		
	A	B1	S	L	B	H	n1	n2	m1	m2	H1	H2	K asp	K man	B asp	B man	Ai	Pi	Li	[kg]
CN 80-160 A	125	65	14	755	330	405	320	250	125	95	180	225	180	160	24	22	480	880	430	164.5

TIPO TYPE	DIMENSIONI [mm] DIMENSIONS [mm]			
	n° asp	n° man	DNA (inch)	DNM (inch)
CN 80-160 A	8	4	100 (4")	80 (3")

**From**  
Company: Gol pumps  
Reference:  
Address: 6520 Nw 77ct



Phone: 786-613-5872  
Email: info@golpumps.com

Sea-land reserves the right to make changes without prior notice  
Page 3 / 3