



# Technical Data

## Submersible Pump - ST 35-22

Revision no.

 Page:  
1

Receiver

From

 Company name  
 Respons. Department  
 Person in charge  
 Phone number  
 Fax no  
 E-mail address



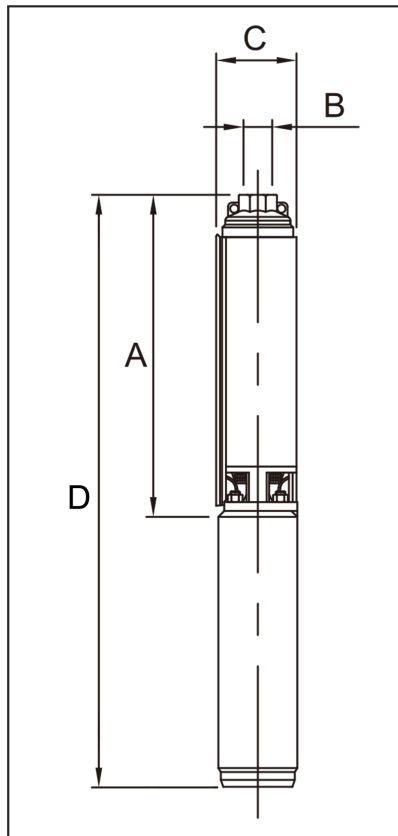


**Brand: Gol Pumps**  
**Model: ST 35-22**

Weight (lb)		
Pump	Motor	Pump + Motor
17.8	48	65.8

Cable	
Length (Ft)	AWG
8.2	14

### Dimensions:



Outlet	Motor Dia.	Dimensions (inch)			
		A	B	C	D
NPT 2"	4"	35.2"	2"	3.9"	56.9"

Project

Project ID

Created by

Created on

Last update



# Performance Curves

## Submersible Pump - SP 35-22

Revision no.

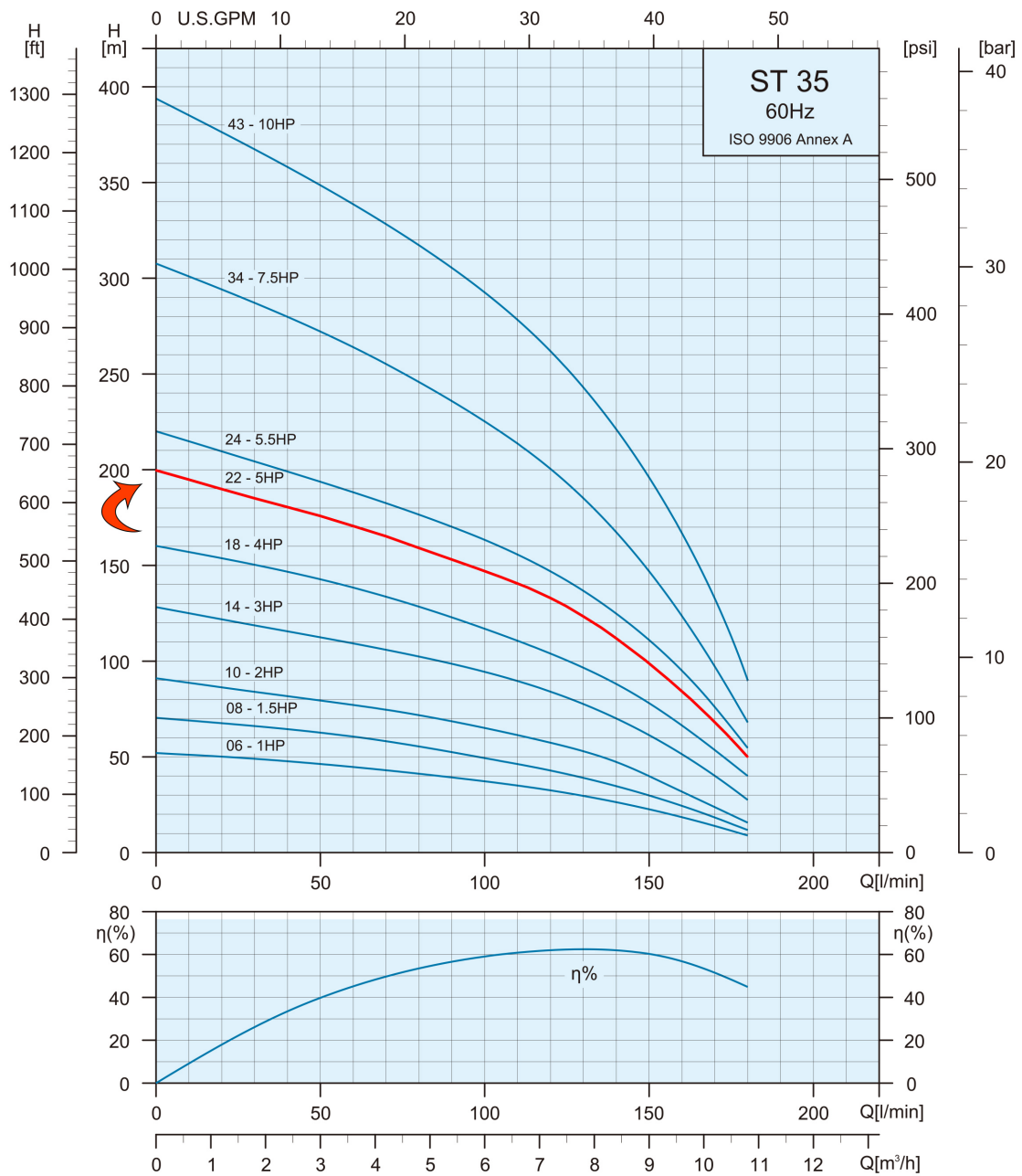
Page:  
2

Receiver

From

Company name  
Respons. Department  
Person in charge  
Phone number  
Fax no  
E-mail address


Pump Model	Motor		Q Capacity 3500RPM										
	kW	HP	Gal/Min	0	15.9	18.5	21.2	23.8	26.4	31.7	37	42.3	47.6
ST 35-22	3.7	5	Head in Feet	656.2	557.7	541.3	521.7	498.7	482.3	433.1	364.2	275.6	164



Project	Project ID	Created by	Created on	Last update
---------	------------	------------	------------	-------------



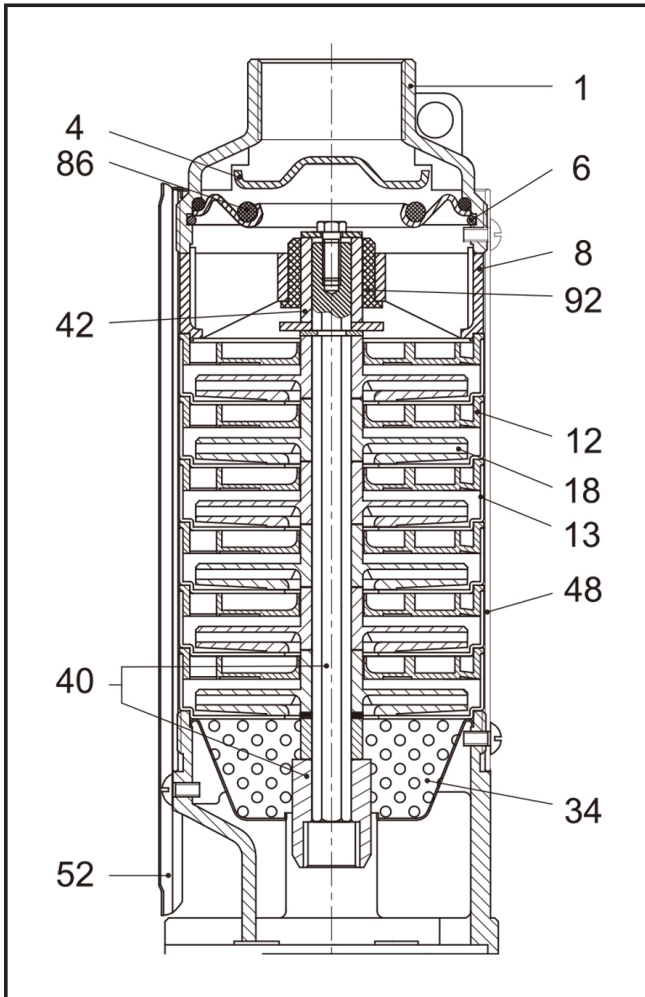
## Part List and Materials Submersible Pump - SP 35-22

Revision no. \_\_\_\_\_ Page: 3

Receiver	From

Company name  
Respons. Department  
Person in charge  
Phone number  
Fax no  
E-mail address

Motor Model	P2		S.F	Voltage	Phase	In	I <sub>max</sub>	I <sub>start</sub>	PF (%)		Efficiency (%)		RPM	Thrust
	kW	HP		V	PH	A	A	A	Allowable Load	Overload Factor	Allowable Load	Overload Factor		N
	<b>4CF6976</b>	3.7		5	1.15	230	Three	15.7	17.3	88.4	0.78	0.81		75.3



No.	Part Name	Materials
1	Discharge Head	AISI 304
4	Check Valve Cone	AISI 304
6	Check Valve Retaining Ring	AISI 304
8	Bearing Spider	Glass Filled Polycarbonate
12	Diffuser	Glass Filled Polycarbonate
13	Bowl	AISI 304
18	Impeller	Noryl
34	Strainer	AISI 304
40	Pump Shaft / Coupling	AISI 304
42	Shaft Sleeve	AISI 304 or Norly
48	Pump Casing	AISI 304
52	Cable Guard	AISI 304
86	O-Ring	NBR
92	Bearing	Polyacetal

Project	Project ID	Created by	Created on	Last update
---------	------------	------------	------------	-------------