



# Technical Data

## Submersible Pump - ST 35-22

Revision no.

Page:  
1

Receiver

From

Company name  
Respons. Department  
Person in charge  
Phone number  
Fax no  
E-mail address



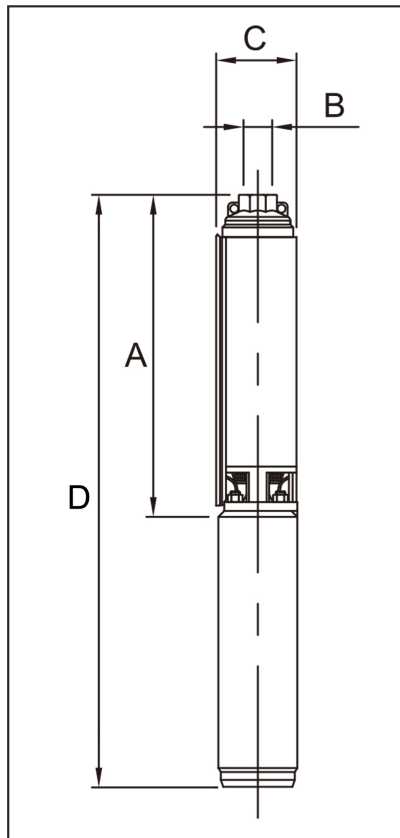


**Brand: Gol Pumps**  
**Model: ST 35-22**

Weight (lb)		
Pump	Motor	Pump + Motor
17.8	55	72.8

Cable	
Length (Ft)	AWG
8.2	14

**Dimensions:**



Outlet	Motor Dia.	Dimensions (inch)			
		A	B	C	D
NPT 2"	4"	35.2"	2"	3.9"	56.9"

Project

Project ID

Created by

Created on

Last update



# Performance Curves

## Submersible Pump - SP 35-22

Revision no.

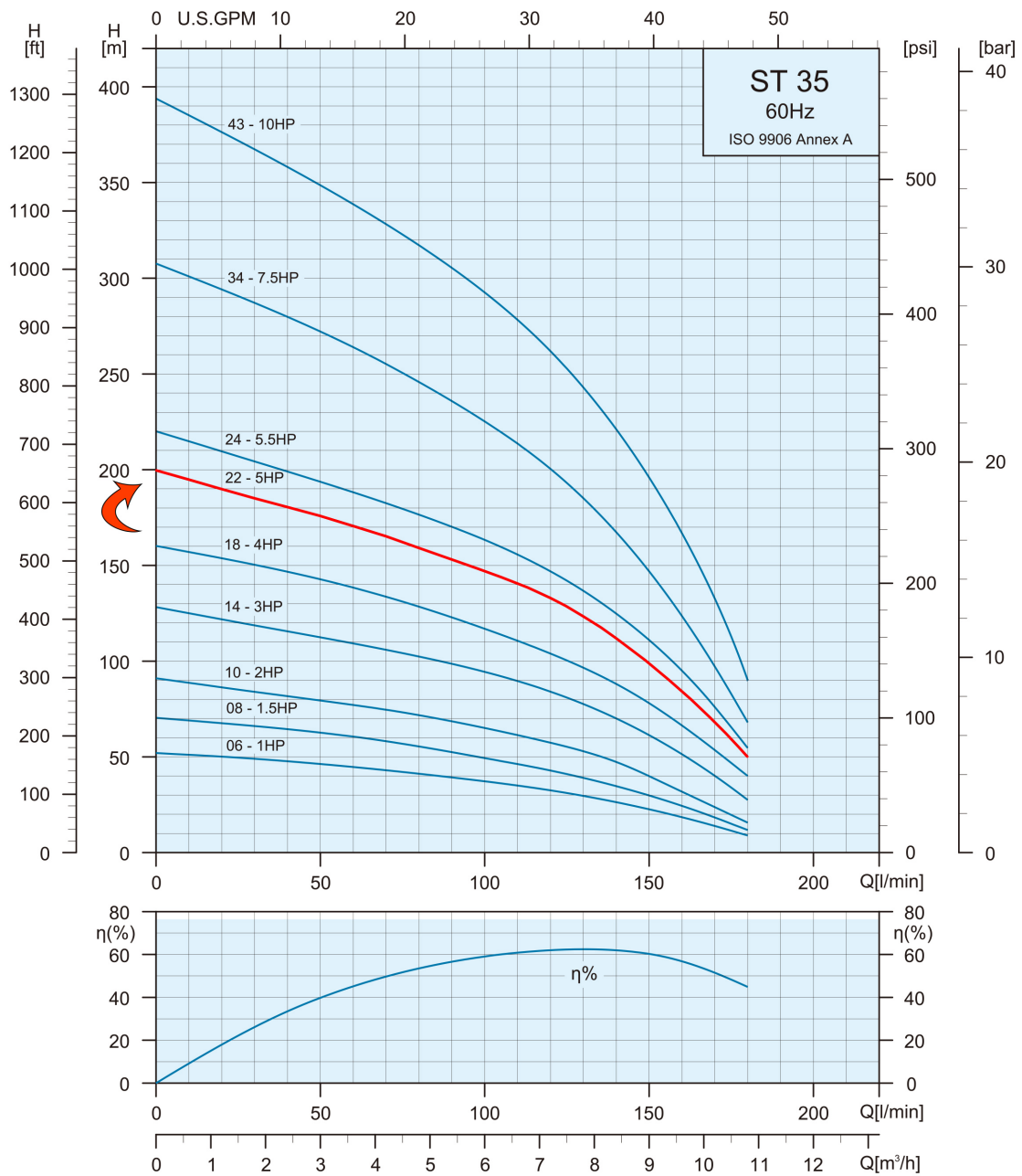
Page:  
2

Receiver

From

Company name  
Respons. Department  
Person in charge  
Phone number  
Fax no  
E-mail address


Pump Model	Motor		Q Capacity 3500RPM										
	kW	HP	Gal/Min	0	15.9	18.5	21.2	23.8	26.4	31.7	37	42.3	47.6
ST 35-22	3.7	5	Head in Feet	656.2	557.7	541.3	521.7	498.7	482.3	433.1	364.2	275.6	164



Project	Project ID	Created by	Created on	Last update
---------	------------	------------	------------	-------------



# Part List and Materials

## Submersible Pump - SP 35-22

Revision no.

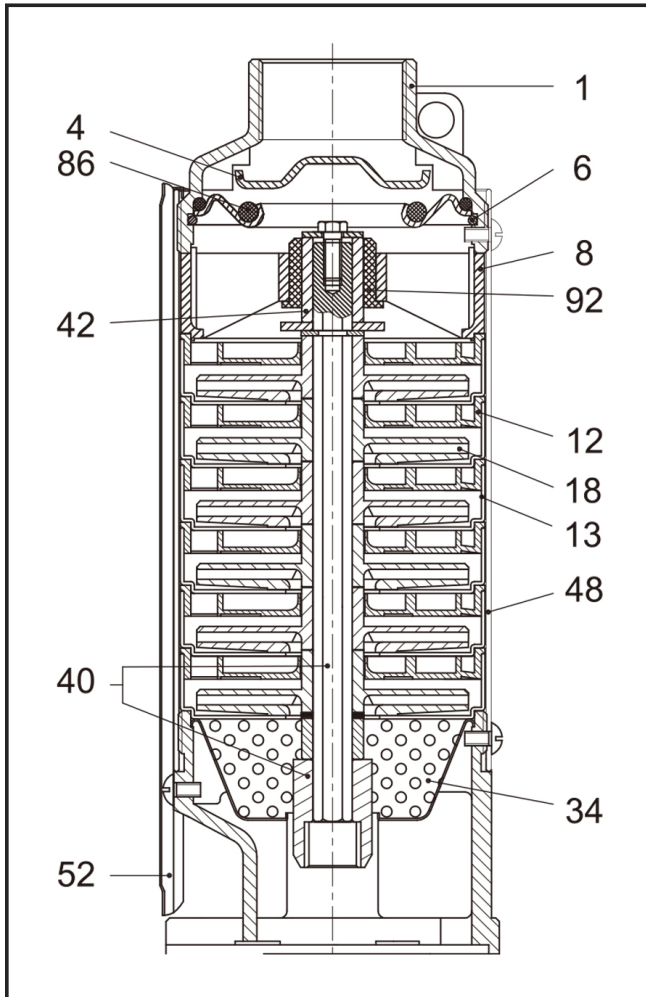
Page:  
3

Receiver

From

Company name  
Respons. Department  
Person in charge  
Phone number  
Fax no  
E-mail address

Motor Model	P2		S.F	Voltage	Phase	In	Imax	Istart	PF (%)		Efficiency (%)		RPM	Thrust
	kW	HP		V	PH	A	A	A	Allowable Load	Overload Factor	Allowable Load	Overload Factor		N
	4CF6376	3.7		5	1.15	460	Three	8.7	9.5	68.4	0.68	0.72		77.4



No.	Part Name	Materials
1	Discharge Head	AISI 304
4	Check Valve Cone	AISI 304
6	Check Valve Retaining Ring	AISI 304
8	Bearing Spider	Glass Filled Polycarbonate
12	Diffuser	Glass Filled Polycarbonate
13	Bowl	AISI 304
18	Impeller	Noryl
34	Strainer	AISI 304
40	Pump Shaft / Coupling	AISI 304
42	Shaft Sleeve	AISI 304 or Norly
48	Pump Casing	AISI 304
52	Cable Guard	AISI 304
86	O-Ring	NBR
92	Bearing	Polyacetal

Project

Project ID

Created by

Created on

Last update