



Technical Data

Submersible Pump - ST 35-43

Revision no.

Page:

1

Receiver

From

 Company name
 Respons. Department
 Person in charge
 Phone number
 Fax no
 E-mail address

| |
|--|
| |
| |
| |
| |
| |
| |

| |
|--|
| |
| |
| |
| |
| |
| |

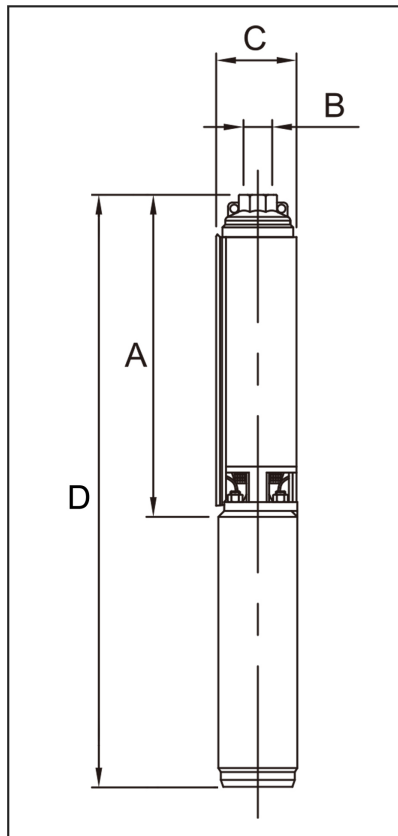


Brand: Gol Pumps
Model: ST 35-43

| Weight (lb) | | |
|-------------|-------|--------------|
| Pump | Motor | Pump + Motor |
| 33.4 | 68.7 | 102.1 |

| Cable | |
|-------------|------|
| Length (Ft) | AWG |
| 11.5 | 4x14 |

Dimensions:



| Outlet | Motor Dia. | Dimensions (inch) | | | |
|--------|------------|-------------------|----|------|-------|
| | | A | B | C | D |
| NPT 2" | 4" | 66" | 2" | 3.9" | 96.1" |

Project

Project ID

Created by

Created on

Last update



Performance Curves

Submersible Pump - SP 35-43

Revision no.

Page:
2

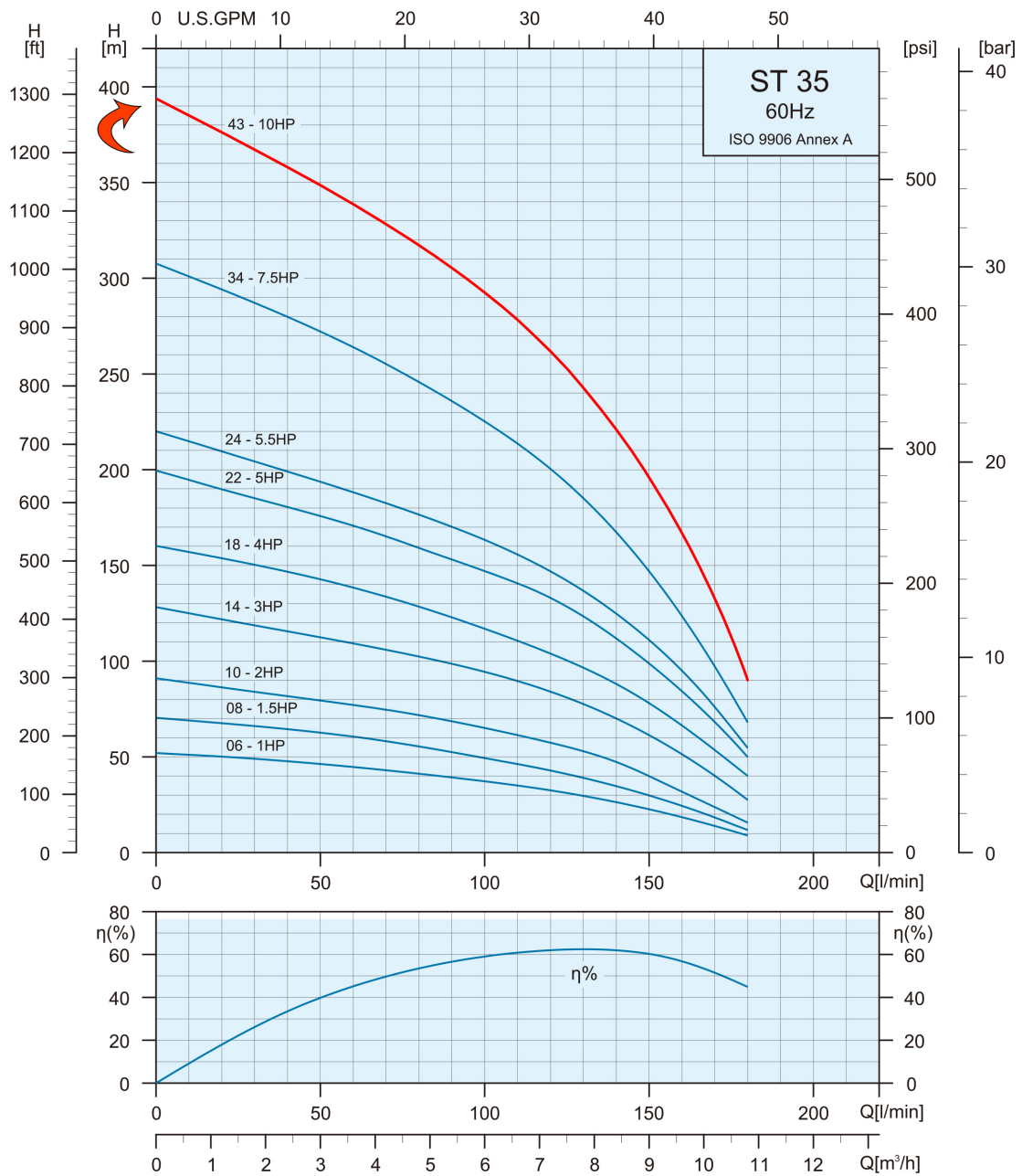
Receiver

From

Company name
Respons. Department
Person in charge
Phone number
Fax no
E-mail address

| | |
|--|--|
| | |
| | |
| | |
| | |
| | |
| | |

| Pump Model | Motor | | Q Capacity 3500RPM | | | | | | | | | | |
|------------|-------|----|--------------------|------|------|------|------|------|------|-------|-------|-------|-------|
| | | | Gal/Min | 0 | 15.9 | 18.5 | 21.2 | 23.8 | 26.4 | 31.7 | 37 | 42.3 | 47.6 |
| ST 35-43 | 7.5 | 10 | Head in Feet | 1293 | 1112 | 1076 | 1040 | 1001 | 958 | 856.3 | 721.8 | 547.9 | 295.3 |



| | | | | |
|---------|------------|------------|------------|-------------|
| Project | Project ID | Created by | Created on | Last update |
|---------|------------|------------|------------|-------------|



Part List and Materials

Submersible Pump - SP 35-43

Revision no.

Page:
3

Receiver

From

Company name
Respons. Department
Person in charge
Phone number
Fax no
E-mail address

| Motor Model | P2 | | S.F | Voltage | Phase | In | In (SF) | Is/In | Cs/Cn | P1 | Cos φ | η % | RPM |
|-------------|-----|----|------|---------|-------|------|---------|-------|-------|------|-------|-----|------|
| | kW | HP | | V | PH | A | A | | | W | | | |
| 4GG | 7.5 | 10 | 1.15 | 460 | Three | 15.4 | 16.6 | 7.1 | 3.9 | 9300 | 0.78 | 80 | 3450 |

SF: Service factor

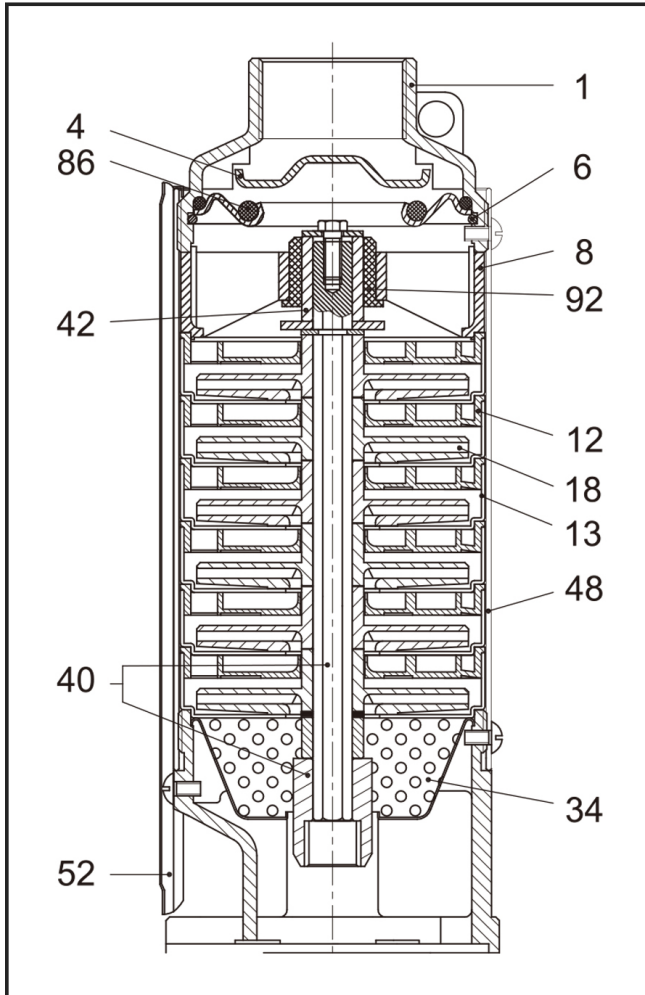
Is/In: Locked rotor current/Rated current

Cos φ: Power factor

In: Rated current

Cs/Cn: Locked rotor torque/Rated torque

η: Efficiency



| No. | Part Name | Materials |
|-----|----------------------------|----------------------------|
| 1 | Discharge Head | AISI 304 |
| 4 | Check Valve Cone | AISI 304 |
| 6 | Check Valve Retaining Ring | AISI 304 |
| 8 | Bearing Spider | Glass Filled Polycarbonate |
| 12 | Diffuser | Glass Filled Polycarbonate |
| 13 | Bowl | AISI 304 |
| 18 | Impeller | Noryl |
| 34 | Strainer | AISI 304 |
| 40 | Pump Shaft / Coupling | AISI 304 |
| 42 | Shaft Sleeve | AISI 304 or Norly |
| 48 | Pump Casing | AISI 304 |
| 52 | Cable Guard | AISI 304 |
| 86 | O-Ring | NBR |
| 92 | Bearing | Polyacetal |

Project

Project ID

Created by

Created on

Last update