



# Technical Data

## Submersible Pump - ST 55-29

Revision no.

Page:  
1

Receiver

From

Company name  
Respons. Department  
Person in charge  
Phone number  
Fax no  
E-mail address





**Brand: Gol Pumps**  
**Model: ST 55-29**

Weight (lb)		
Pump	Motor	Pump + Motor
36.5	74.4	110.9

Cable	
Length (Ft)	AWG
11.5	4x14

**Dimensions:**



Outlet	Motor Dia.	Dimensions (inch)			
		A	B	C	D
NPT 2"	4"	69.9"	2"	3.9"	100"

Project

Project ID

Created by

Created on

Last update



# Performance Curves

## Submersible Pump - SP 55-29

Revision no.

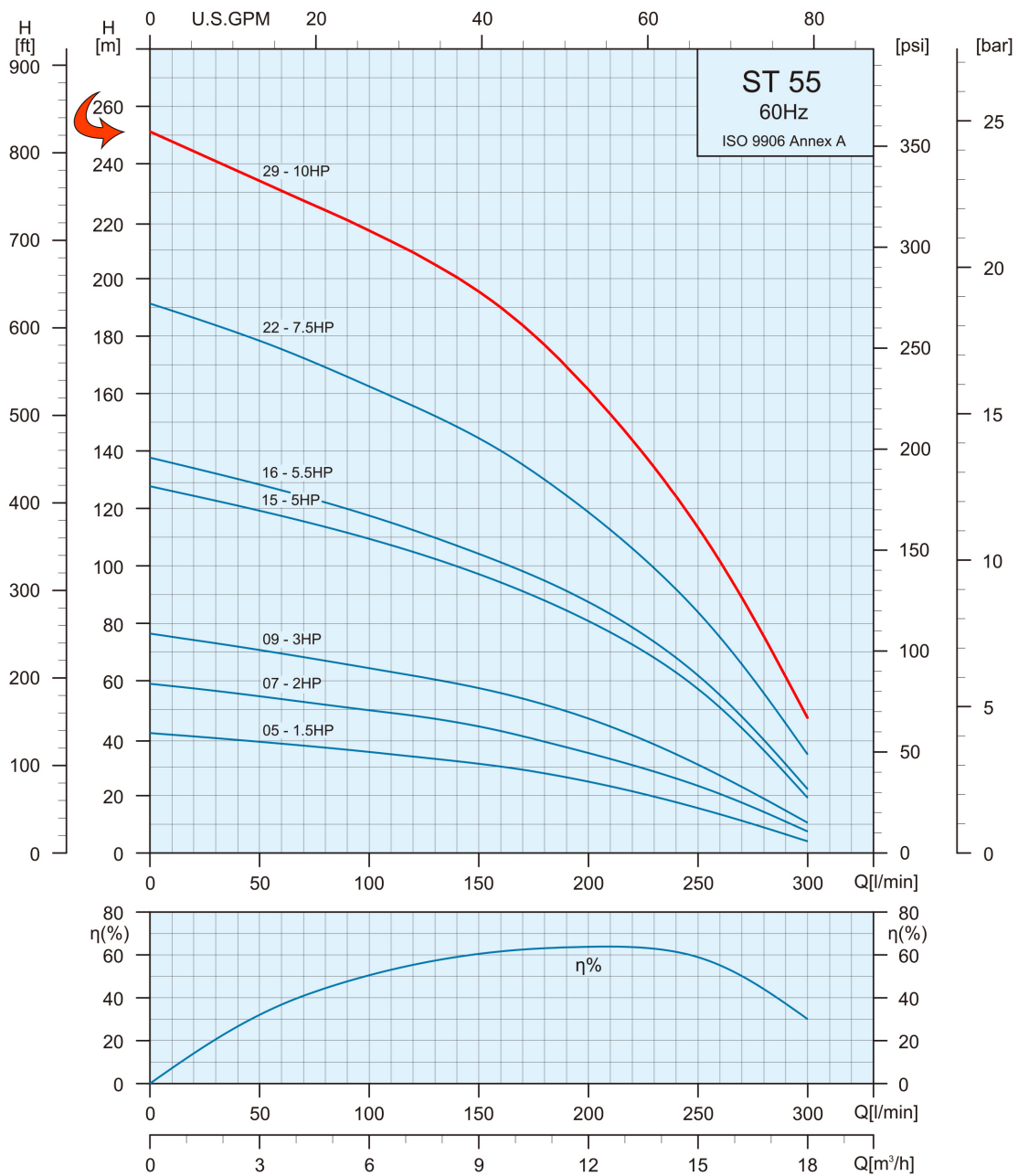
Page:  
2

Receiver

From

Company name  
Respons. Department  
Person in charge  
Phone number  
Fax no  
E-mail address


Pump Model	Motor		Q Capacity 3500RPM														
			Gal/Min	0	21.1	23.8	26.4	31.7	37	42.3	47.6	52.8	58	63.4	68.7	74	79.3
	kW	HP	Head in Feet	824	738	725	715	686	656	623	581	528	472	410	331	246	158
ST 55-29	7.5	10															



Project	Project ID	Created by	Created on	Last update
---------	------------	------------	------------	-------------



# Part List and Materials

## Submersible Pump - SP 55-29

Revision no.

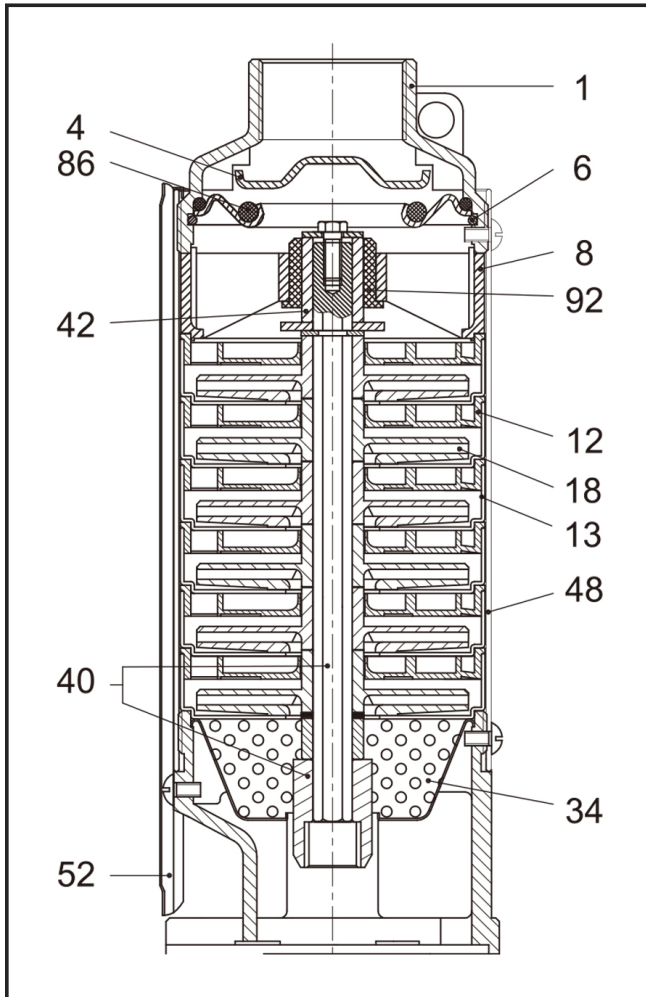
Page:  
3

Receiver

From

Company name  
Respons. Department  
Person in charge  
Phone number  
Fax no  
E-mail address

Motor Model	P2		S.F	Voltage	Phase	In	Istart	Imax	Cos φ	EFF %	Ts/Tn	Starting torque NM	RPM	Thrust
	kW	HP		V	PH	A	A	A						N
4WP 1000T	7.5	10	1.15	230	Three	38.1	177	43.3	0.72	74	2.9	60.6	3490	6500



No.	Part Name	Materials
1	Discharge Head	AISI 304
4	Check Valve Cone	AISI 304
6	Check Valve Retaining Ring	AISI 304
8	Bearing Spider	Glass Filled Polycarbonate
12	Diffuser	Glass Filled Polycarbonate
13	Bowl	AISI 304
18	Impeller	Noryl
34	Strainer	AISI 304
40	Pump Shaft / Coupling	AISI 304
42	Shaft Sleeve	AISI 304 or Norly
48	Pump Casing	AISI 304
52	Cable Guard	AISI 304
86	O-Ring	NBR
92	Bearing	Polyacetal

Project

Project ID

Created by

Created on

Last update