



Technical Data

Submersible Pump - ST 55-29

Revision no.

Page:
1

Receiver

From

Company name
Respons. Department
Person in charge
Phone number
Fax no
E-mail address



Brand: Gol Pumps
Model: ST 55-29

Weight (lb)		
Pump	Motor	Pump + Motor
36.5	68.7	105.2

Cable	
Length (Ft)	AWG
11.5	4x14

Dimensions:



Outlet	Motor Dia.	Dimensions (inch)			
		A	B	C	D
NPT 2"	4"	69.9"	2"	3.9"	100"

Project

Project ID

Created by

Created on

Last update



Performance Curves

Submersible Pump - SP 55-29

Revision no.

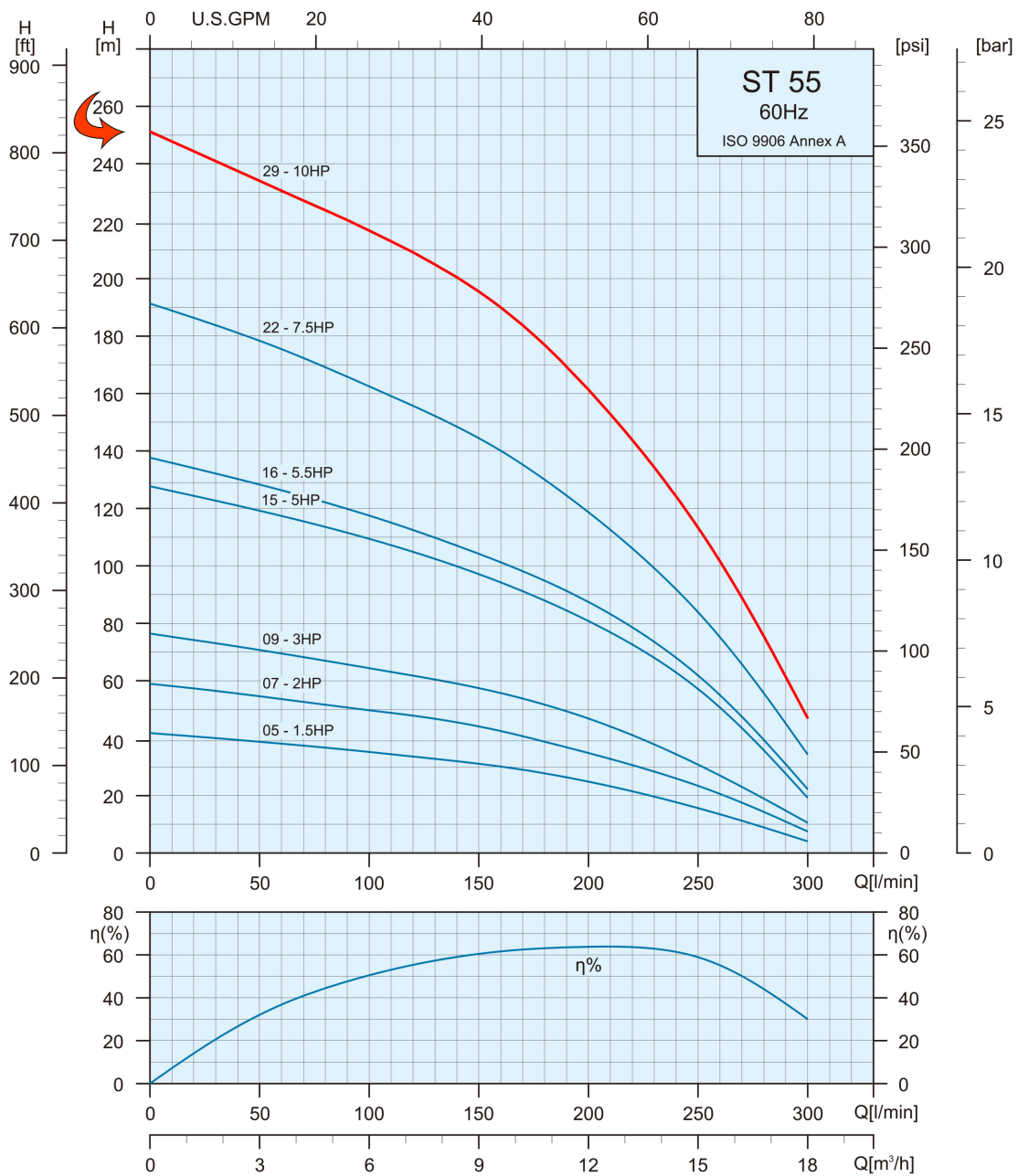
Page:
2

Receiver

From

Company name
Respons. Department
Person in charge
Phone number
Fax no
E-mail address

Pump Model	Motor		Q Capacity 3500RPM														
			Gal/Min	0	21.1	23.8	26.4	31.7	37	42.3	47.6	52.8	58	63.4	68.7	74	79.3
	kW	HP	Head in Feet	824	738	725	715	686	656	623	581	528	472	410	331	246	158
ST 55-29	7.5	10															



Project	Project ID	Created by	Created on	Last update
---------	------------	------------	------------	-------------



Part List and Materials Submersible Pump - SP 55-29

Revision no.

Page:

3

Receiver

From

 Company name
 Respons. Department
 Person in charge
 Phone number
 Fax no
 E-mail address

Motor Model	P2		S.F	Voltage	Phase	In	In (SF)	Is/In	Cs/Cn	P1	Cos ϕ	η %	RPM
	kW	HP		V	PH	A	A			W			
4GG	7.5	10	1.15	460	Three	15.4	16.6	7.1	3.9	9300	0.78	80	3450

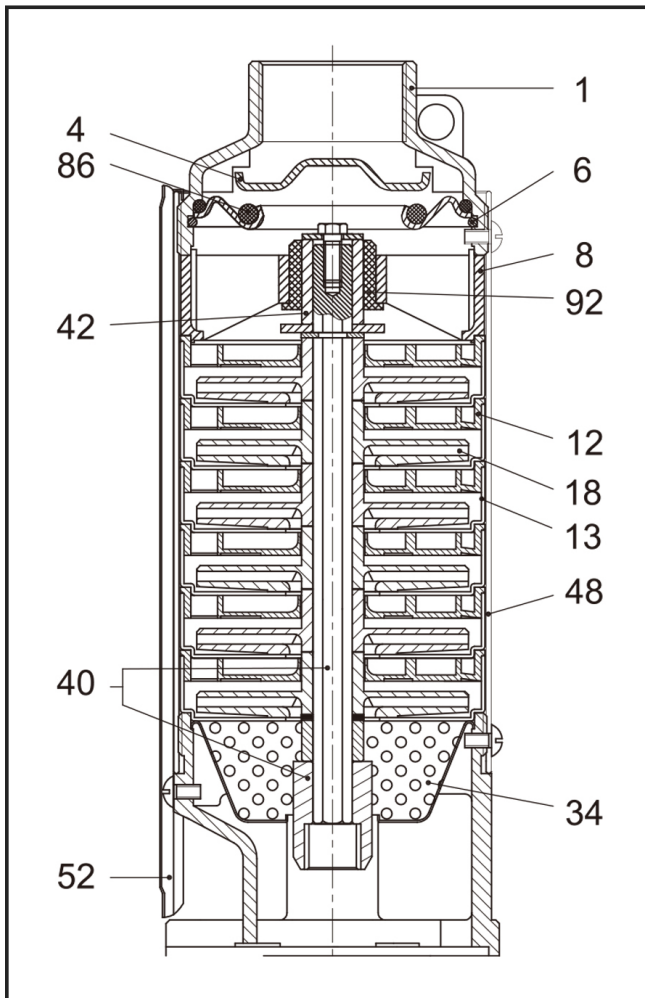
SF: Service factor

Is/In: Locked rotor current/Rated current

 Cos ϕ : Power factor

In: Rated current

Cs/Cn: Locked rotor torque/Rated torque

 η : Efficiency


No.	Part Name	Materials
1	Discharge Head	AISI 304
4	Check Valve Cone	AISI 304
6	Check Valve Retaining Ring	AISI 304
8	Bearing Spider	Glass Filled Polycarbonate
12	Diffuser	Glass Filled Polycarbonate
13	Bowl	AISI 304
18	Impeller	Noryl
34	Strainer	AISI 304
40	Pump Shaft / Coupling	AISI 304
42	Shaft Sleeve	AISI 304 or Noryl
48	Pump Casing	AISI 304
52	Cable Guard	AISI 304
86	O-Ring	NBR
92	Bearing	Polyacetal

Project

Project ID

Created by

Created on

Last update