



Technical Data - Pump

Vertical Multistage Pump Nema - SBN 32-9 NEMA

Revision no.

Page:
1

Receiver

From

Company name
 Respons. Department
 Person in charge
 Phone number
 Fax no
 E-mail address

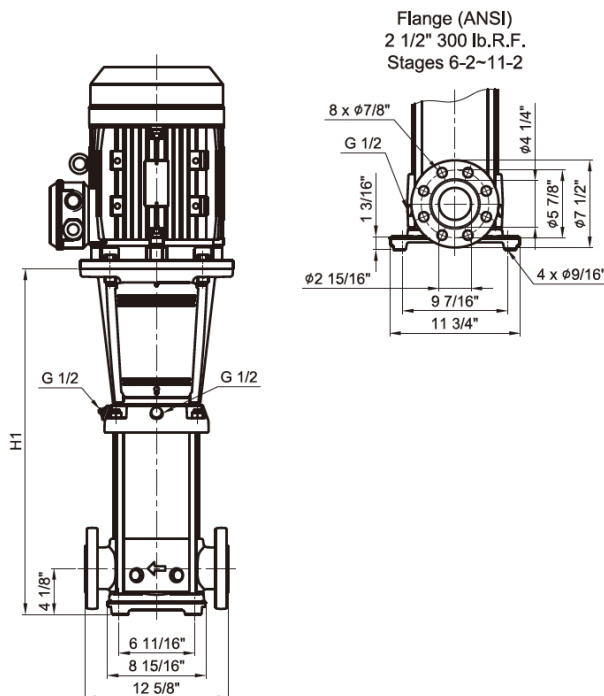


Pump Brand: Gol Pumps
Model: SBN 32-9 NEMA

Motor Brand: WEG
Model: 04036OT3E286TSC-W40



Pump Dimensions:



60Hz Pump type	Motor P2		Volts	SBI		
				NEMA Frame	Dimensions[inch]	Weights[lbs]
	[KW]	[HP]	Three phase		ANSI flange	H1
SBN 32-9	30	40	208-230/440-460V	286 TSC	46.20	186.2

Project	Project ID	Created by	Created on	Last update
---------	------------	------------	------------	-------------



Performance Curves

Vertical Multistage Pump Nema - SBN 32-9 NEMA

Revision no.

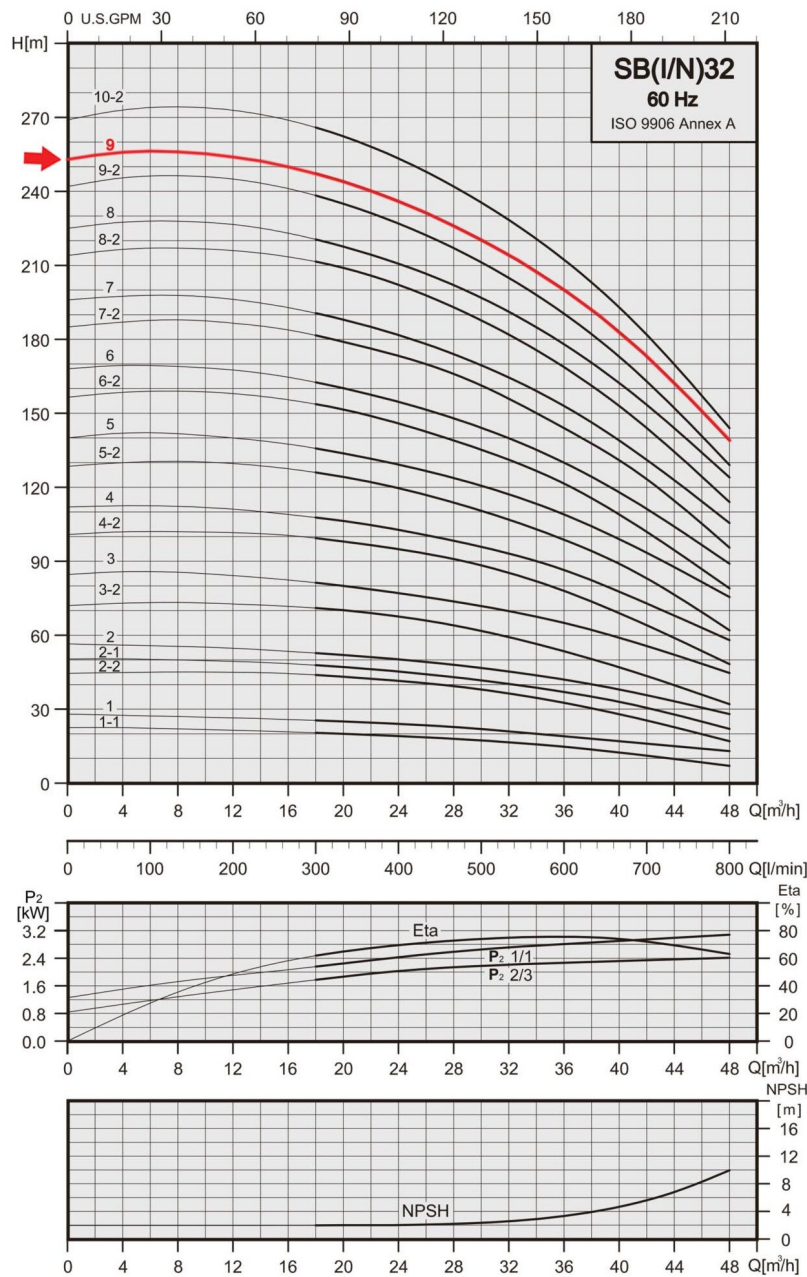
Page:
 2

Receiver

From

Company name
 Respons. Department
 Person in charge
 Phone number
 Fax no
 E-mail address

Model	Port Size (in.)		Flow	HP	Volts	Amps	Phase	Max. Head	Max. Suction	Max. PSI
	DNA	DNM	GPH		V	I Max.	Ph	Ft.	Ft.	
SBN 32-9	2 1/2	2 1/2	12600	40	230/460	93.7/46.8	Three	843	17	370



Project	Project ID	Created by	Created on	Last update
---------	------------	------------	------------	-------------



Parts and Materials

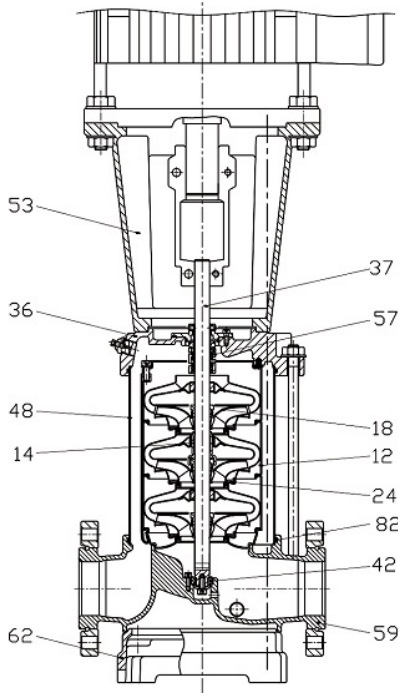
Vertical Multistage Pump Nema - SBN 32-9 NEMA

Revision no.

Page:
 3

Receiver From

Company name
 Respons. Department
 Person in charge
 Phone number
 Fax no
 E-mail address



Parts List	Material	Standard
36 Pump Head	Stainless Steel	AISI 316
53 Motor Bracket	Cast Iron	ASTM 35B
18 Impeller	Stainless Steel	AISI 316
37 Shaft	Stainless Steel	AISI 316
48 Outer Sleeve	Stainless Steel	AISI 316
82 O-ring for Outer Sleeve	EPDM	
12 Chamber	Stainless Steel	AISI 316
24 Neck Ring	Carbon Fiber + POB + PTFE	
59 Base	Stainless Steel	AISI 316
62 Base Plate	Cast Iron	ASTM 35B
57 Mechanical Seal	Cartridge Type	
14 Bearing Ring	POB + Graphite + PTFE	
42 Bottom Bearing Ring	Tungsten Carbide	

Project	Project ID	Created by	Created on	Last update
---------	------------	------------	------------	-------------



Technical Data - Motor

Vertical Multistage Pump Nema - SBN 32-9 NEMA

Revision no.

Page:
4

	Receiver	From
Company name		
Respons. Department		
Person in charge		
Phone number		
Fax no		
E-mail address		

Product line : W40 NEMA Premium Efficiency Three-Phase Product code : 14496989
 Catalog # : 04036OT3E286TSC-W40

Frame : 284/6TSC Output : 40 HP (30 kW) Poles : 2 Frequency : 60 Hz Rated voltage : 230/460 V Rated current : 93.7/46.8 A L. R. Amperes : 609/304 A LRC : 6.5x(Code G) No load current : 30.8/15.4 A Rated speed : 3540 rpm Slip : 1.67 % Rated torque : 59.3 ft.lb Locked rotor torque : 190 % Breakdown torque : 240 % Insulation class : F Service factor : 1.25 Moment of inertia (J) : 2.02 sq.ft.lb Design : B	Locked rotor time : 14s (cold) 8s (hot) Temperature rise : 80 K Duty cycle : Cont.(S1) Ambient temperature : -20°C to +40°C Altitude : 1000 m.a.s.l. Protection degree : IP23 Cooling method : IC01 - ODP Mounting : F-1 Rotation ¹ : Both (CW and CCW) Noise level ² : 73.0 dB(A) Starting method : Direct On Line Approx. weight ³ : 346 lb
---	---

Output	25%	50%	75%	100%	
Efficiency (%)	91.5	91.7	92.4	92.4	Foundation loads
Power Factor	0.51	0.76	0.84	0.87	Max. traction
					Max. compression

	<u>Drive end</u>	<u>Non drive end</u>
Bearing type	6311 Z C3	6211 Z C3
Sealing	Without Bearing Seal	Without Bearing Seal
Lubrication interval	20000 h	20000 h
Lubricant amount	18 g	11 g
Lubricant type	Mobil Polyrex EM	

Notes:
 USABLE @208V 104A SF 1.15 SFA 119A

This revision replaces and cancel the previous one, which must be eliminated.
 (1) Looking the motor from the shaft end.
 (2) Measured at 1m and with tolerance of +3dB(A).
 (3) Approximate weight subject to changes after manufacturing process.
 (4) At 100% of full load.

These are average values based on tests with sinusoidal power supply, subject to the tolerances stipulated in NEMA MG-1.

Project	Project ID	Created by	Created on	Last update



Dimensions and Nameplate

Vertical Multistage Pump Nema - SBN 32-9 NEMA

Revision no.

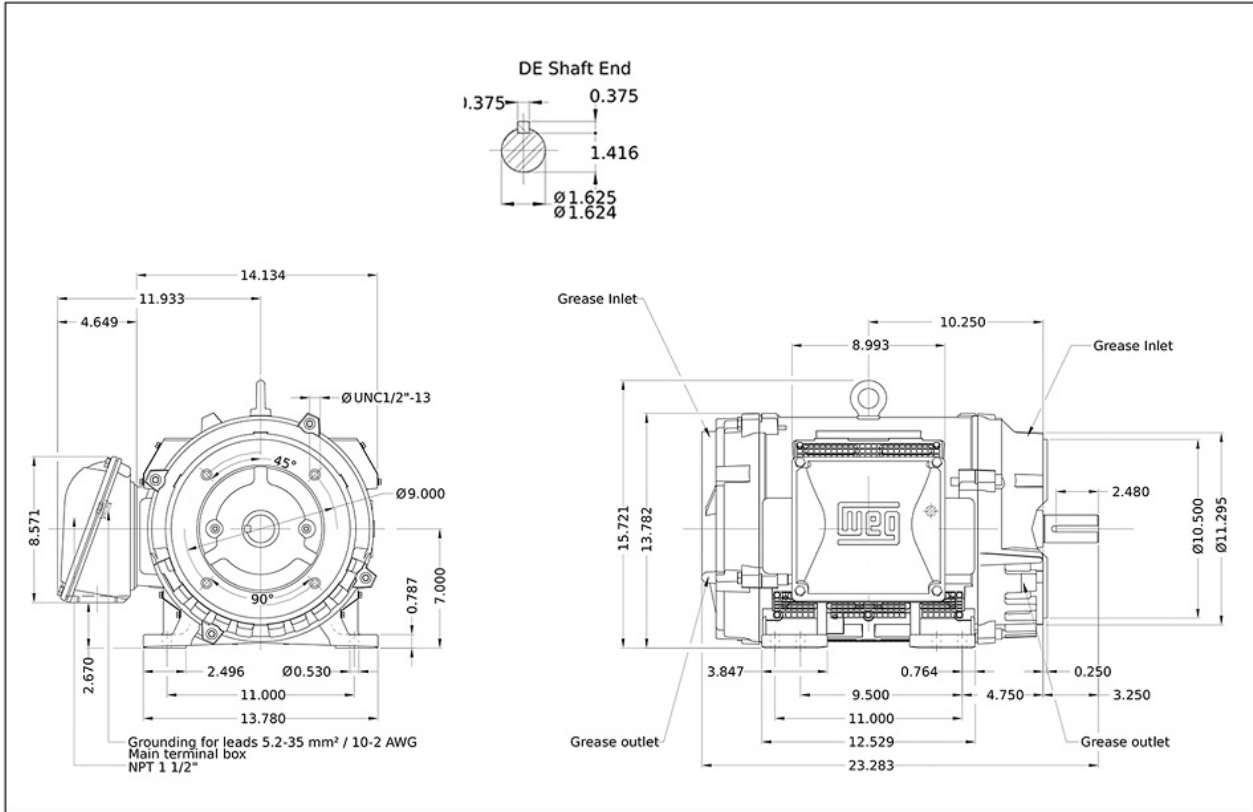
Page:
5

Receiver

From

Company name
 Respons. Department
 Person in charge
 Phone number
 Fax no
 E-mail address

Motor Dimensions:



Motor Nameplate:



MODEL 040360T3E286TSC-W40

Inverter Duty Motor
IEC 60034-1

60Hz: For use on PWM: VT 1000:1, CT 3:1, 1.00SF

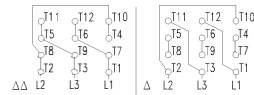


Mod. T01#FOXON
CC0294

MADE IN BRAZIL
14496989

PH3 Fr. 284/6TSC DUTY CONT. ODP(IC01) IP23 DES B(N) Code G
 346lb 1000m.a.s.l. INS cl. F DT 80K AMB 40°C SF 1.00//1.25

V	Hz	kW	HP	RPM	A	SFA	PF	IE code	NEMA NOM EFF η 100%/75%/50%			
230Δ	460Δ	60	30	40	3540	93.7	46.8	117	58.5	0.87	IE3	92.4/92.4/91.7
380Δ	-	50	22	30	2950	41.9	-	41.9	-	0.86	IE3	92.8/91.4/90.0
-	-	-	-	-	-	-	-	-	-	-	-	-



- 6311-Z-C3 (18g)
- 6211-Z-C3 (11g)

MOBIL POLYREX EM (20000h)

Project	Project ID	Created by	Created on	Last update
---------	------------	------------	------------	-------------